



<u>DRAWING NO.</u>	<u>DESCRIPTION</u>
B-TC-KL1Ø-Ø-4	KL1Ø PRINT SET
B-DD-KL1Ø-Ø	TABLE OF CONTENTS
D-UA-KL1Ø-Ø-Ø	KL1Ø DRAWING DIRECTORY
C-PL-KL1Ø-Ø-Ø	ARITHMETIC PROCESSOR
D-IC-KL1Ø-Ø-1	ARITHMETIC PROCESSOR (P.L.)
D-IC-KL1Ø-Ø-2	POWER DIAGRAM
	REGULATOR ASSY
E-UA-H76Ø-Ø-Ø	RAW POWER SUPPLY H76Ø
A-PL-H76Ø-Ø-Ø	RAW POWER SUPPLY H76Ø (P.L.)
D-CS-H76ØA-Ø-1	CIRCUIT SCHEMATIC H76ØA
D-CS-H76ØB-Ø-1	CIRCUIT SCHEMATIC H76ØB
E-AD-7009409-0-0	DIODE HEAT SINK ASSY
D-AD-7009410-0-0	COMPONENT MTG PLATE ASSY
E-UA-H761-Ø-Ø	REGULATED POWER SUPPLY
A-PL-H761-Ø-Ø	REGULATED POWER SUPPLY (P.L.)
D-IC-H761-Ø-1	CONTROL LOGIC
D-CS-G8Ø1Ø-Ø-1	-5.2 VOLT CONTROL
D-CS-G8Ø11-Ø-1	-2 VOLT CONTROL
D-CS-G8Ø13-Ø-1	+10V REFERENCES
D-CS-G8Ø14-Ø-1	LOW VOLTAGE DETECTOR
D-CS-5410663-0-1	SERIES PASS -2.0V BOARD
D-CS-5410665-0-1	-5.2V BOARD
E-AD-7009404-0-0	REGULATED HEAT SINK ASSY (-2.0V)
A-PL-7009404-0-0	REGULATED HEAT SINK ASSY (-2.0V) (P.L.)
E-AD-7009405-0-0	REGULATED HEAT SINK ASSY (-5.2V)
A-PL-7009405-0-0	REGULATED HEAT SINK ASSY (-5.2V) (P.L.)
E-AD-7009878-0-0	CAPACITOR BOX ASSY
E-UA-863-Ø-Ø	POWER CONTROLLER 863
A-PL-863-Ø-Ø	POWER CONTROLLER 863 (P.L.)
D-CS-863-Ø-1	CIRCUIT SCHEMATIC 863
D-CS-W516-Ø-1	AC LOW VOLTAGE DETECTOR
D-CS-W7ØØØ-Ø-1	AUX POWER SUPPLY
C-AD-7009632-0-0	WIRED ASSY (CHASSIS 863 P.C.)
D-UA-H732-Ø-Ø	H732 POWER SUPPLY
A-PL-H732-Ø-Ø	H732 POWER SUPPLY (P.L.)
C-CS-H732-Ø-1	H732 POWER SUPPLY
D-AD-7010229-0-0	1Ø8Ø CONSOLE PROCESSOR
A-PL-7010229-0-0	1Ø8Ø CONSOLE PROCESSOR (P.L.)
D-AD-7010311-0-0	PLATE, CABLE CONVERSION ASSY

<u>DRAWING NO.</u>	<u>DESCRIPTION</u>
E-AD-7010233-0-0	MARGIN CHECK PANEL ASSY
A-PL-7010233-0-0	MARGIN CHECK PANEL ASSY (P.L.)
D-CS-7010233-0-1	CIRCUIT SCHEMATIC
D-IA-7010465-0-0	MARGIN CHECK SWITCH ASSY
D-UA-5411319-0-0	MARGIN PWR PANEL COMPONENT BD.
D-UA-783C-Ø-Ø	783C POWER SUPPLY
A-PL-783C-Ø-Ø	783C POWER SUPPLY (P.L.)
C-CS-783C-Ø-1	783C POWER SUPPLY
E-AD-7009418-0-0	CPU LOGIC ASSY
A-PL-7009418-0-0	CPU LOGIC ASSY (P.L.)
E-AD-7009438-0-0	WIRED ASSY CPU
E-AD-7009416-0-0	BACKPLANE ASSY #3
D-UA-5410681-0-0	BACKPLANE
E-AD-7009415-0-0	BACKPLANE ASSY #2
D-UA-5410680-0-0	BACKPLANE
E-AD-7009417-0-0	BACKPLANE ASSY #1
D-UA-5410839-0-0	BACKPLANE
E-AD-7009411-0-0	FAN ASSY CPU
D-AD-7009876-0-0	VAN SWITCH ASSY
E-AD-7010700-0-0	WIRED ASSY BUS ADAPTER
E-AD-7009432-0-0	BACKPLANE ASSY
D-UA-5411310-0-0	BACKPLANE
C-AD-7008711-0-0	I/O CONN GROUND PLANE ASSY
E-AD-7010101-0-0	LOGIC ASSY DTE2Ø
E-AD-7009430-0-0	WIRED ASSY DTE2Ø
E-AD-7010088-0-0	BACKPLANE ASSY
D-UA-5411308-0-0	BACKPLANE
D-AD-7010103-0-0	SWITCH ASSY
D-UA-541136Ø-YA-Ø	SWITCH BOARD
D-IA-7011520-0-0	VANE SWITCH ASSY
E-AD-7009894-0-0	FAN ASSY MEM & I/O
D-AD-7009678-0-0	AIR INLET ASSY (19")
D-AD-7009679-0-0	AIR INLET ASSY (30")

TITLE	SHEET	SIZE	CODE	NUMBER	REV
ARITHMETIC PROCESSOR	2 OF 3	B	TC	KL1Ø-Ø-4	

DRAWING NO.

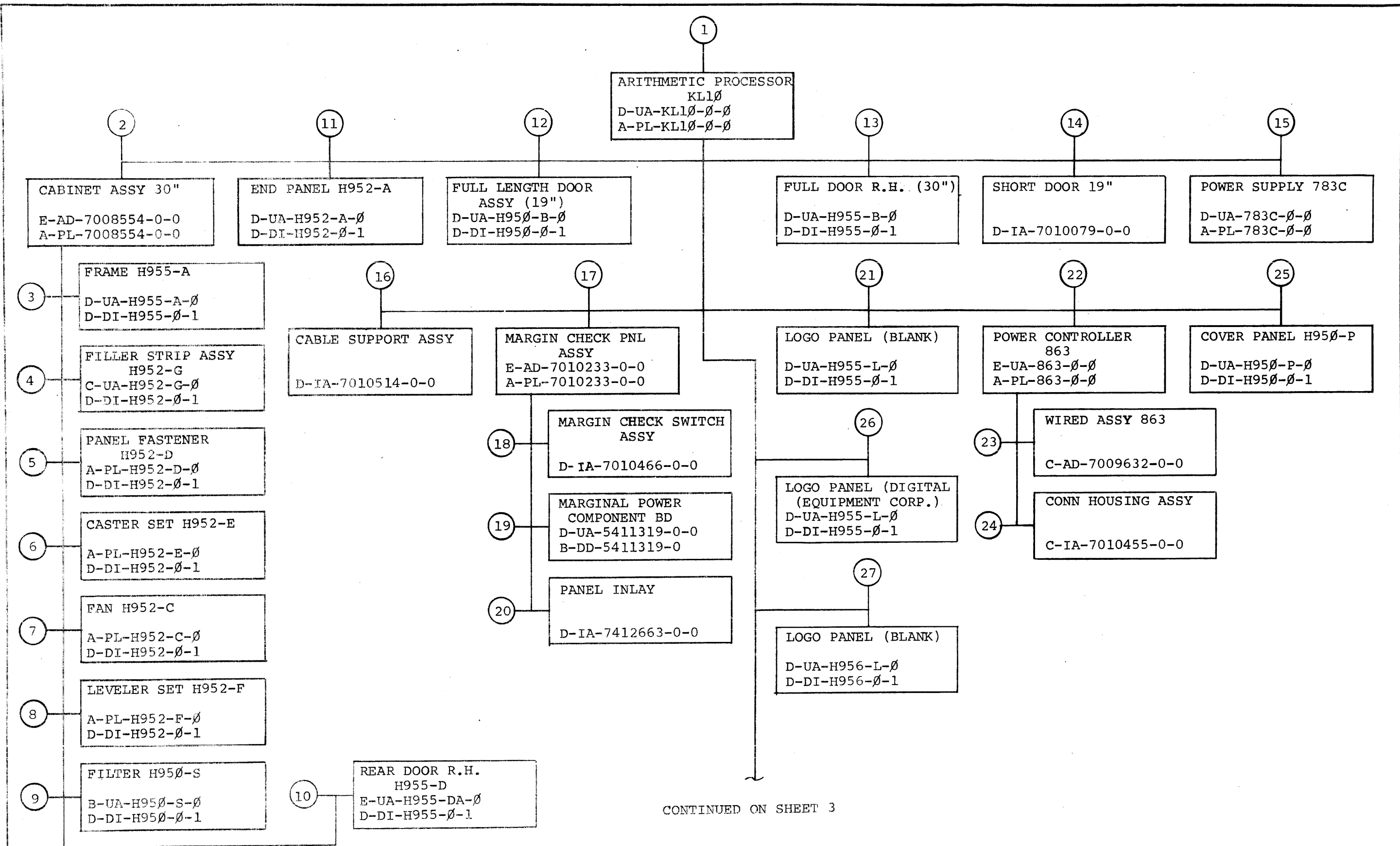
DESCRIPTION

C-IA-7008288-0-0	CABLE ASSY
D-IA-7010326-0-0	POWER CORD
C-UA-BC05F-0-0	CABLE INTERFACE
C-UA-M920-0-0	INTERNAL BUS CONN ASSY
D-UA-BC11A-0-0	CABLE ASSY (BC11A)
D-UA-BC06R-0-0	BC06R I/O CABLE
D-UA-BC20C-0-0	CONN ASSY SBUS
C-IA-5408780-0-0	PRIORITY JUMPER LEVEL #6

TITLE	SIZE	CODE	NUMBER	REV
ARITHMETIC PROCESSOR	SHEET 3 OF 3	B TC	KL10-0-4	

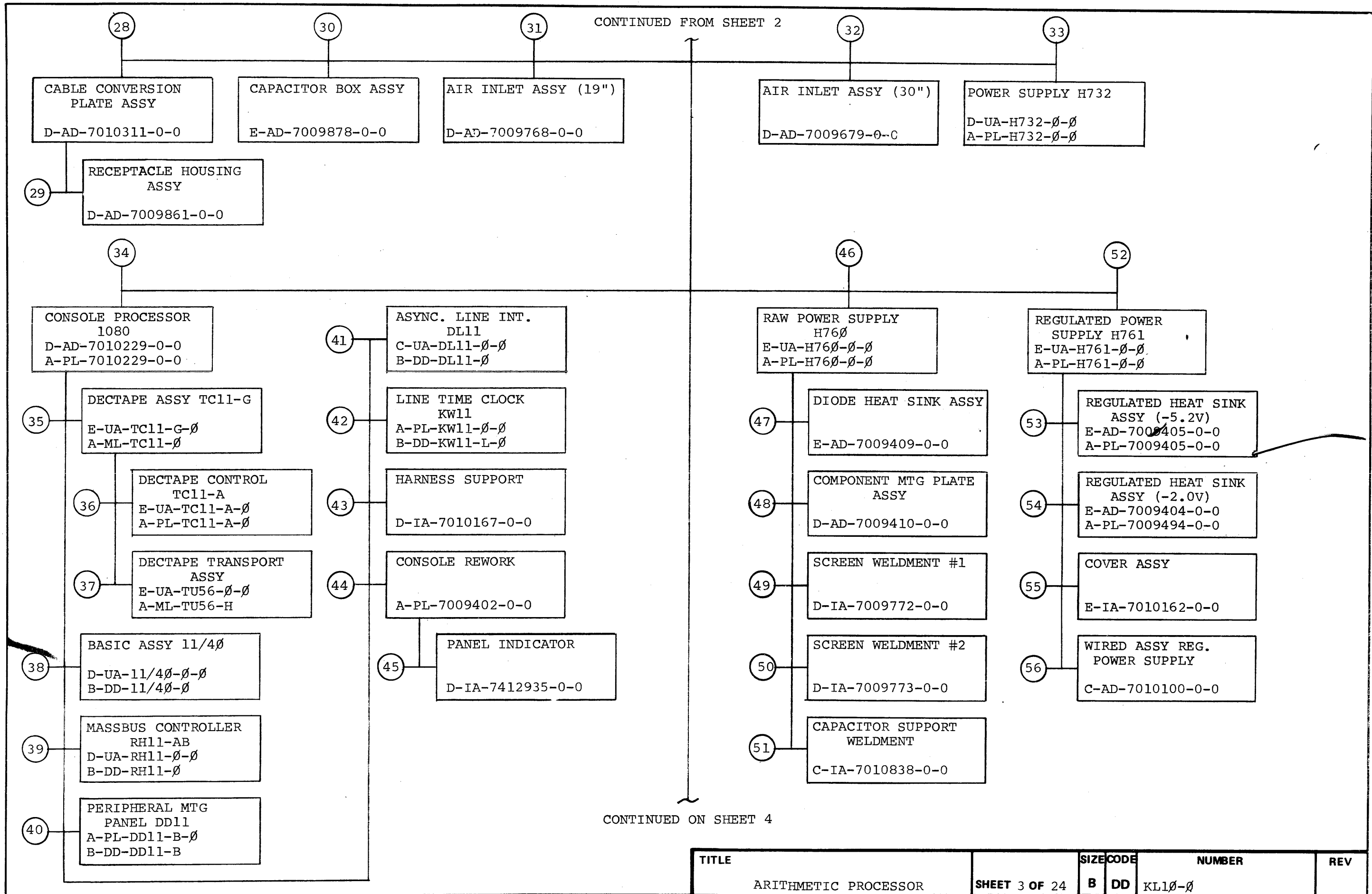




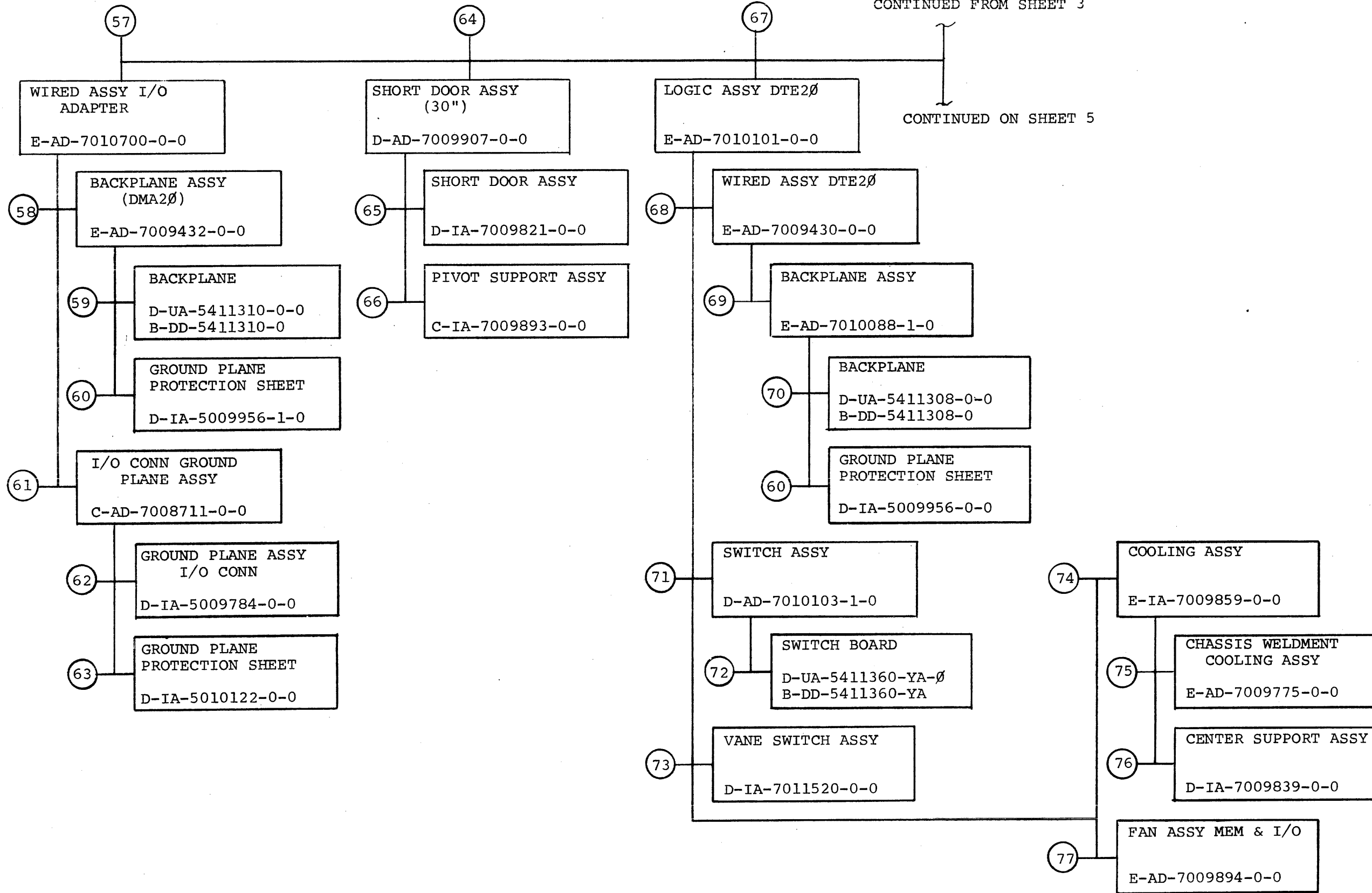


CONTINUED ON SHEET 3

TITLE	SHEET 2 OF 24	SIZE CODE	NUMBER	REV
ARITHMETIC PROCESSOR	B DD	KL1Ø-Ø		

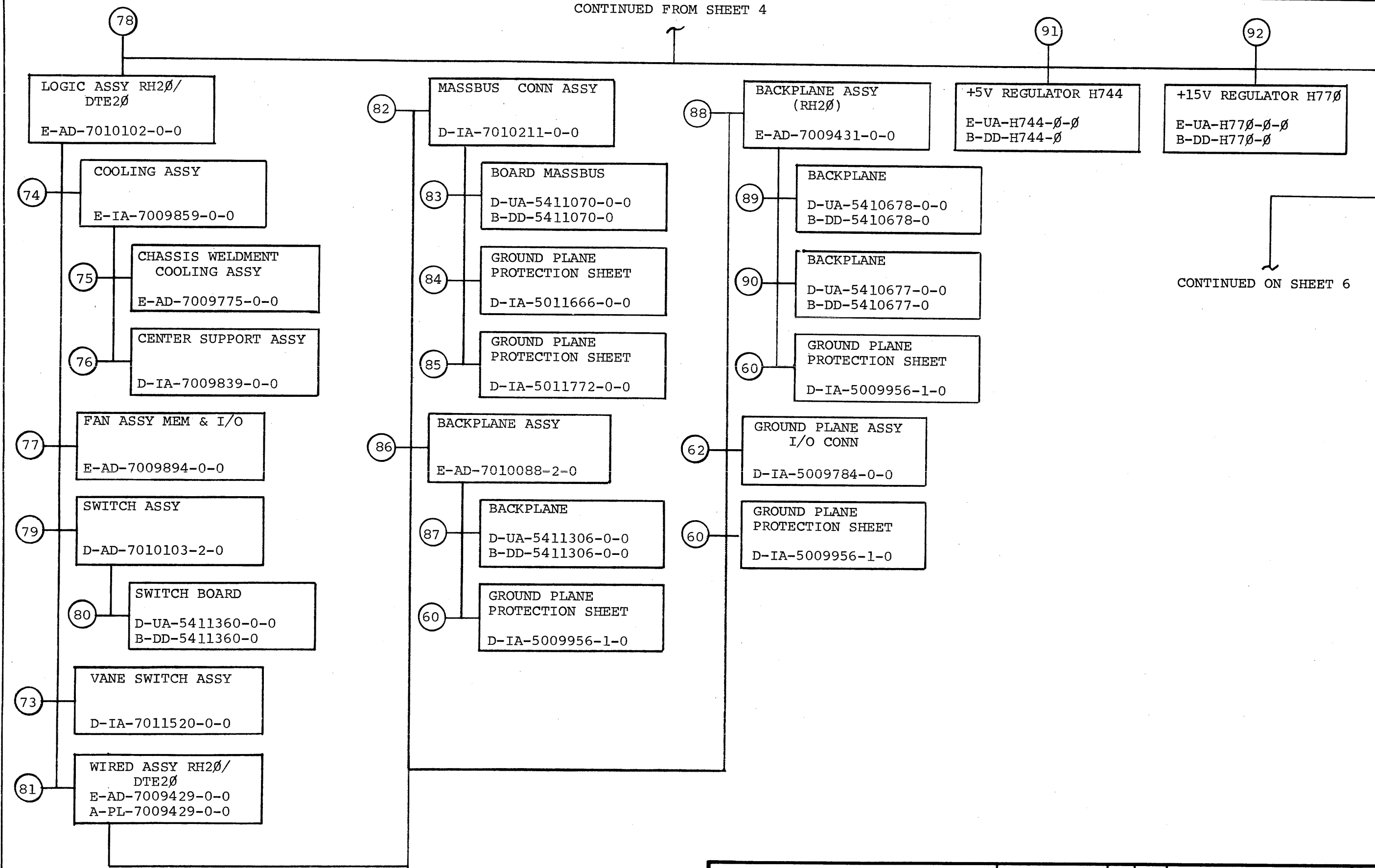


TITLE	SHEET	SIZE	CODE	NUMBER	REV
ARITHMETIC PROCESSOR	3 OF 24	B	DD	KL10-0	



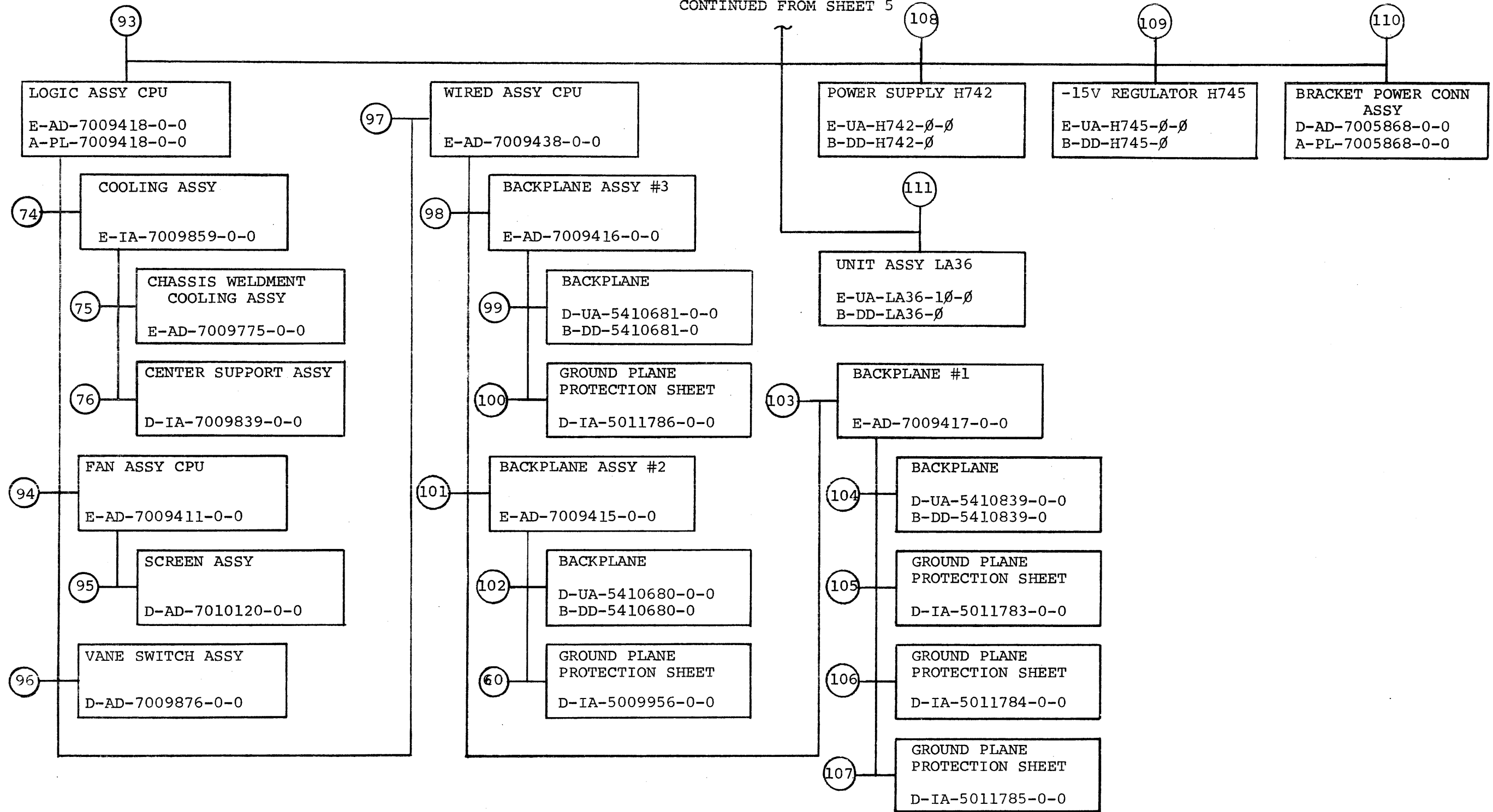
CONTINUED ON SHEET 5

TITLE	SIZE	CODE	NUMBER	REV
ARITHMETIC PROCESSOR	SHEET 4 OF 24	B DD	KL1Ø-Ø	



CONTINUED ON SHEET 6

TITLE	SHEET	SIZE	CODE	NUMBER	REV
ARITHMETIC PROCESSOR	5 OF 24	B	DD	KL10-0	



TITLE	SIZE	CODE	NUMBER	REV
ARITHMETIC PROCESSOR	B	DD	KL1 $\emptyset$ - $\emptyset$	
SHEET 6 OF 24				

FIND NO	DRAWING NO	TYPE	DESCRIPTION	FIND NO	DRAWING NO	TYPE	DESCRIPTION					
1	D-UA-KL10-0-0	E/M	ARITHMETIC PROCESSOR		D-IA-BC20C-3C-0	E/M	CONN ASSY SBUS (BC20C)					
	A-PL-KL10-0-0	E/M	ARITHMETIC PROCESSOR (PL)		D-UA-BC11A-10-0	E/M	CABLE ASSY (BC11A)					
	D-MD-7410895-0-0	M	POWER SUPPLY SUPPORT (RT)		D-UA-M920-0-0	E/M	INTERNAL BUS CONNECTOR					
	D-MD-7410894-0-0	M	POWER SUPPLY SUPPORT (LT)		D-IC-KL10-0-1	E	POWER DIAGRAM					
	D-IA-7411562-2-0	M	BRACKET BEZEL MTG		D-IC-KL10-0-2	E	REGULATOR ASSEMBLY					
	D-IA-7411562-1-0	M	BRACKET BEZEL MTG		A-SP-KL10-0-3	E/M	ENGINEERING SPEC					
	E-MD-7412285-0-0	M	SHIELD EMI		A-PL-DTE20-0-0	E/M	10/11 INTERFACE MODULE SET					
	C-IA-7412213-0-0	M	SUPPORT SHORT DOOR (19")									
	D-IA-7412698-2-0	M	BRACKET BEZEL MTG (LT)		D-UA-M8552-0-0	E/M	10/11 DATA PATH					
	D-IA-7412698-1-0	M	BRACKET BEZEL MTG (RT)		B-DD-M8552-0	E/M	M8552 DRAWING DIRECTORY					
	B-MD-7413656-0-0	M	STRAIN RELIEF									
	C-MD-7413681-2-0	M	PLATE FILLER		D-UA-M8553-0-0	E/M	10/11 BUS AND DATA CONTROL					
	D-IA-7414000-0-0	M	SLIDE DOOR		B-DD-M8553-0	E/M	M8553 DRAWING DIRECTORY					
	B-MD-7411296-0-0	M	SPACER HEAT SINK									
	D-MD-7413872-0-0	M	SCREEN CPU		D-UA-M8554-0-0	E/M	10/11 BUS DATA CONTROL					
	D-MD-7413871-0-0	M	SCREEN I/O		B-DD-M8554-0	E/M	M8554 DRAWING DIRECTORY					
	C-MD-7410940-0-0	M	SUPPORT POWER SUPPLY (LT)									
	C-MD-7410943-0-0	M	SUPPORT POWER SUPPLY (RT)		C-IA-5408780-0-0	E/M	PRIORITY PLUG					
	D-MD-7413872-0-0	M	PLATE PROTECTION									
	D-MD-7414026-0-0	M	PLATE COVER									
	A-DC-5310460-0-0	E/M	DECAL, H742-B		A-PL-DMA20-0-0	E/M	MEMORY BUS ADAPTER MODULE SET					
	A-DC-7409872-2-0	E/M	DECAL POWER HARNESS									
	C-MD-7408463-4-0	M	COVER TERMINAL		D-UA-M8560-0-0	E/M	SBUS INTERFACE					
	A-DC-7409045-2-0	E/M	VOLTAGE AND PHASE DECAL		B-DD-M8560-0	E/M	M8560 DRAWING DIRECTORY					
	A-DC-7412561-0-0	E/M	DECAL POWER INTERLOCK									
	B-DC-5310919-0-0	E/M	DECAL CAUTION LEAKAGE		D-UA-M8563-0-0	E/M	DMA20 BOARD #2					
	J-IA-7009419-0-0	E/M	HARNESS DC TOP		B-DD-M8563-0	E/M	M8563 DRAWING DIRECTORY					
	J-IA-7010855-0-0	E/M	HARNESS DC BOTTOM									
	J-IA-7009427-0-0	E/M	HARNESS SENSE		D-UA-M8558-0-0	E/M	K110 MEMORY BUS ADAPTER					
	J-IA-7009414-0-0	E/M	HARNESS DC I/O		B-DD-M8558-0	E/M	M8558 DRAWING DIRECTORY					
	J-IA-7010874-0-0	E/M	HARNESS FAULT INDICATOR									
	D-IA-7010877-0-0	E/M	HARNESS AC WIRING NO. 3		A-PL-DIA20-0-0	E/M	I/O BUS ADAPTER MODULE SET					
	D-IA-7010805-0-0	E/M	HARNESS AC WIRING NO. 1									
	J-IA-7010873-0-0	E/M	HARNESS DC I/O									
	J-IA-7010875-0-0	E/M	HARNESS FAULT INDICATOR		D-UA-M8550-0-0	E/M	DATA PATH BOARD					
	D-IA-7011432-0-0	E/M	POWER CORD EXTENSION		B-DD-M8550-0	E/M	M8550 DRAWING DIRECTORY					
	D-IA-7010326-0-0	E/M	POWER CORD ASSY									
	C-IA-7008288-06-0	E/M	CABLE ASSY		D-UA-M8551-0-0	E/M	CONTROL BOARD					
	J-IA-7011150-0-0	E/M	HARNESS MAINTENANCE		B-DD-M8551-0	E/M	M8551 DRAWING DIRECTORY					
	D-UA-BC06R-12-0	E/M	CABLE I/O (BC06R)									
	D-IA-BC20C-6C-0	E/M	CONN ASSY SBUS (BC20C)		D-IC-KL10-0-IOCI	E	EBUS CABLE I/O TO CPU					
	D-IA-BC20C-0K-0	E/M	CONN ASSY SBUS (BC20C)		D-IC-KL10-0-IOC2	E	EBUS & CBUS CABLES I/O TO CPU					
	D-UA-BC11A-05-0	E/M	CABLE ASSY (BC11A)		D-IC-KL10-0-SBUS	E	SBUS CABLE MEMORY TO CPU					
	D-UA-BC11A-02-0	E/M	CABLE ASSY (BC11A)		D-IC-KL10-0-EBUS	E	EBUS CABLE					
	D-UA-BC11A-15-0	E/M	CABLE ASSY (BC11A)		D-IC-KL10-0-IBUS	E	KL10 INPUT/OUTPUT BUS CONN					
	D-UA-BC05F-15-0	E/M	CABLE INTERFACE (BC05F)		D-IC-KL10-0-MBUS	E	KL10 MEMORY BUS CONN					
TYPE: E ELECTRICAL M MECHANICAL E/M ELECTRO-MECHANICAL				TITLE ARITHMETIC PROCESSOR		SHEET 7 OF 24		SIZE CODE B DD		NUMBER KL10-0		REV



FIND NO	DRAWING NO	TYPE	DESCRIPTION	FIND NO	DRAWING NO	TYPE	DESCRIPTION						
				13	D-UA-H955-BA-Ø	M	FULL DOOR R.H. (30")						
					D-DI-H955-Ø-1	M	H955 DWG INDEX LIST						
9	B-UA-H95Ø-S-Ø	M	FILTER H95Ø-S										
	D-DI-H95Ø-Ø-1	M	H95Ø DWG INDEX LIST										
				14	D-IA-7010079-0-0	M	SHORT DOOR 19"						
					D-MD-7411150-0-0	M	SKIN SHORT DOOR						
					C-IA-7412546-0-0	M	BRACKET SHORT DOOR						
10	E-UA-H955-DA-Ø	M	REAR DOOR R.H. H955-D										
	D-DI-H955-Ø-1	M	H955 DWG INDEX LIST										
				15	D-UA-783C-Ø-Ø	E/M	POWER SUPPLY 783C						
					A-PL-783C-Ø-Ø	E/M	POWER SUPPLY 783C (PL)						
					D-IA-783-Ø-1-Ø-1	M	CHASSIS						
					D-MD-5304301-0-0	M	RETAINER CAPACITOR						
11	D-UA-H952-AC-Ø	M	END PANEL H952-A		B-MD-728-0-1-0-4	M	BRACKET RECT MTG						
	D-DI-H952-Ø-1	M	H952 DWG INDEX LIST		B-DC-5309433-0-0	M	POWER SUPPLY DECAL 783C						
					D-MD-5309507-0-0	M	COVER PROTECTION #2						
					C-MD-5309512-0-0	M	COVER PROTECTION #1						
					A-DC-7410602-0-0	M	LINE INPUT DECAL						
					C-CS-783C-Ø-1	E	CIRCUIT SCHEMATIC 783C						
12	D-UA-H95Ø-BC-Ø	M	FULL LENGTH DOOR ASSY (19")										
	D-DI-H95Ø-Ø-1	M	H95Ø DWG INDEX LIST										
				16	D-IA-7010514-0-0	M	CABLE SUPPORT ASSY						
					D-MD-7412993-0-0	M	BRACKET CABLE SUPPORT						
					C-MD-7412941-0-0	M	SUPPORT CABLE						
					C-MD-7412994-0-0	M	HINGE CABLE SUPPORT						
TYPE: E ELECTRICAL M MECHANICAL E/M ELECTRO/MECHANICAL				TITLE ARITHMETIC PROCESSOR		SHEET 9 OF 24		SIZE CODE B DD		NUMBER KL1Ø-Ø		REV	



FIND NO	DRAWING NO	TYPE	DESCRIPTION	FIND NO	DRAWING NO	TYPE	DESCRIPTION
17	E-AD-7010233-0-0	E/M	MARGIN CHECK PNL ASSY	18	D-IA-7010466-0-0	E/M	MARGIN CHECK SWITCH ASSY
	A-PL-7010233-0-0	E/M	MARGIN CHECK PNL ASSY (PL)		C-MD-7412903-0-0	M	ROTARY SWITCH REWORK
	D-IA-7412662-0-0	M	PANEL FRONT				
	D-MD-7412695-0-0	M	PANEL REAR				
	B-MD-7411151-0-0	M	BRACKET PANEL MTG				
	C-IA-7412661-0-0	M	BRACKET HINGE				
	B-MD-7413680-0-0	M	LOCK SWITCH				
	B-MD-7412658-0-0	M	BLOCK HINGE				
	B-IA-7005486-0-0	M	SHORTING PLUG				
	B-DC-5308943-0-0	M	DECAL 12 POINT (NO. 5) WHT/CLR	19	D-UA-5411319-0-0	E/M	MARGINAL PWR COMPONENT BD
	B-DC-5308944-1-0	M	DECAL 12 POINT (A) WHT/CLR		B-DD-5411319-0	E/M	DRAWING DIRECTORY
	A-DC-7409873-0-0	M	DECAL PWR CONNECTOR WHT/CLR				
	B-DC-5308943-1-0	M	DECAL 12 POINT (NO. 0) WHT/CLR				
	B-DC-5308943-5-0	M	DECAL 12 POINT (NO. 2) WHT/CLR				
	B-DC-5308943-7-0	M	DECAL 12 POINT (NO. 3) WHT/CLR				
	B-DC-5308943-15-0	M	DECAL 12 POINT (NO. 7) WHT/CLR				
	B-DC-5308943-17-0	M	DECAL 12 POINT (NO. 8) WHT/CLR				
	B-DC-5308944-3-0	M	DECAL 12 POINT (B) WHT/CLR	20	D-IA-7412663-0-0	M	PANEL INLAY
	B-DC-5308944-5-0	M	DECAL 12 POINT (C) WHT/CLR		C-SS-7412663-0-1	M	SILKSCREEN (WHT)
	B-DC-5308944-7-0	M	DECAL 12 POINT (D) WHT/CLR		C-SS-7412663-0-2	M	SILKSCREEN
	B-DC-5308944-9-0	M	DECAL 12 POINT (E) WHT/CLR		C-SS-7412663-0-3	M	SILKSCREEN (BLK)
	B-DC-5308944-11-0	M	DECAL 12 POINT (F) WHT/CLR				
	B-DC-5308944-13-0	M	DECAL 12 POINT (G) WHT/CLR				
	B-DC-5308944-15-0	M	DECAL 12 POINT (H) WHT/CLR				
	B-DC-5308944-21-0	M	DECAL 12 POINT (K) WHT/CLR				
	B-DC-5308944-23-0	M	DECAL 12 POINT (L) WHT/CLR				
	B-DC-5308944-25-0	M	DECAL 12 POINT (M) WHT/CLR				
	B-DC-5308944-27-0	M	DECAL 12 POINT (N) WHT/CLR				
	B-DC-5308944-29-0	M	DECAL 12 POINT (O) WHT/CLR				
	B-DC-5308944-31-0	M	DECAL 12 POINT (P) WHT/CLR				
	B-DC-5308944-35-0	M	DECAL 12 POINT (R) WHT/CLR	21	D-UA-H955-LA-Ø	M	LOGO PANEL (BLANK)
	B-DC-5308944-37-0	M	DECAL 12 POINT (S) WHT/CLR		D-DI-H955-Ø-1	M	H955 DWG INDEX LIST
	B-DC-5308944-39-0	M	DECAL 12 POINT (T) WHT/CLR				
	B-DC-5308944-41-0	M	DECAL 12 POINT (U) WHT/CLR				
	B-DC-5308944-45-0	M	DECAL 12 POINT (W) WHT/CLR				
	B-MD-7414143-0-0	M	SPACER				
	J-IA-7010479-0-0	E/M	HARNESS MARGIN CHECK				
	D-CS-7010233-0-1	E	CIRCUIT SCHEMATIC				
			REFERENCE DRAWING				
	B-DD-7010233-T		MARGIN CHECK PNL TESTER				

TYPE: E ELECTRICAL  
M MECHANICAL  
E/M ELECTRO/MECHANICAL

TITLE  
ARITHMETIC PROCESSOR

SHEET 10 OF 24	SIZE B	CODE DD	NUMBER KL1Ø-Ø	REV
-------------------	-----------	------------	------------------	-----





FIND NO	DRAWING NO	TYPE	DESCRIPTION	FIND NO	DRAWING NO	TYPE	DESCRIPTION							
								TITLE	SHEET	SIZE	CODE	NUMBER	REV	
35	E-UA-TC11-GC-Ø	E/M	DECTAPE ASSY (12ØV)	39	D-UA-RH11-AB-Ø	E/M	MASSBUS CONTROLLER (RH11-AB)							
	A-PL-TC11-GC-Ø	E/M	DECTAPE ASSY (PL)		B-DD-RH11-Ø	E/M	RH11 DRAWING DIRECTORY							
	E-UA-TC11-GD-Ø	E/M	DECTAPE ASSY (24ØV)											
	A-PL-TC11-GD-Ø	E/M	DECTAPE ASSY (PL)											
	A-ML-TC11-Ø	E/M	MASTER DWG LIST (TC11)											
36	E-UA-TC11-AC-Ø	E/M	DECTAPE CONTROL (12ØV)	40	A-PL-DD11-B-Ø	E/M	PERIPHERAL MTG PANEL							
	A-PL-TC11-AC-Ø	E/M	DECTAPE CONTROL (PL)		B-DD-DD11-B	E/M	DD11 DRAWING DIRECTORY							
	E-UA-TC11-AD-Ø	E/M	DECTAPE CONTROL (24ØV)											
	A-PL-TC11-AD-Ø	E/M	DECTAPE CONTROL (PL)											
	A-ML-TC11-Ø	E/M	MASTER DWG LIST (TC11)											
				41	C-UA-DL11-Ø-Ø	E/M	ASYNC. LINE INT.							
					B-DD-DL11-Ø	E/M	DL11 DRAWING DIRECTORY							
37	E-UA-TU56-Ø-Ø	E/M	DECTAPE TRANSPORT ASSY											
	A-PL-TU56-Ø-Ø	E/M	DECTAPE TRANSPORT ASSY (PL)											
	A-ML-TU56-H	E/M	MASTER DWG LIST (TU56)											
				42	A-PL-KW11-L-Ø	E/M	LINE TIME CLOCK							
					B-DD-KW11-L	E/M	KW11-L DRAWING DIRECTORY							
38	D-UA-11/4Ø-AR-Ø	E/M	BASIC ASSY 11/40 (24ØV)											
	D-UA-11/4Ø-AR-Ø	E/M	BASIC ASSY 11/40 (12ØV)											
	B-DD-11/4Ø-Ø	E/M	11/40 DRAWING DIRECTORY											
TYPE: E ELECTRICAL M MECHANICAL E/M ELECTRO/MECHANICAL							TITLE ARITHMETIC PROCESSOR		SHEET 13 OF 24		SIZE B	CODE DD	NUMBER KL1Ø-Ø	REV

FIND NO	DRAWING NO	TYPE	DESCRIPTION	FIND NO	DRAWING NO	TYPE	DESCRIPTION						
43	D-IA-7010167-0-0	M	HARNESS SUPPORT		C-IA-7413454-0-0	M	SUPPORT COVER						
	C-MD-7412442-1-0	M	BRACKET CABLE RETAINING R.H.		E-IA-7009744-0-0	E/M	HARNESS INTERCONNECTION						
	C-MD-7412442-2-0	M	BRACKET CABLE RETAINING L.H.		E-IA-7011036-0-0	E/M	POWER CORD H76Ø						
	C-MD-7412443-0-0	M	CABLE HOLDER		C-IA-7010844-1-0	E/M	POWER CABLE #1						
					C-IA-7010844-2-0	E/M	POWER CABLE #2						
					C-IA-7010844-3-0	E/M	POWER CABLE #1						
					C-IA-7010845-1-0	E/M	POWER CABLE #2						
					C-IA-7010845-2-0	E/M	POWER CABLE #2						
					C-IA-7010845-3-0	E/M	POWER CABLE #2						
					C-IA-7010845-4-0	E/M	POWER CABLE #2						
					D-CS-H76Ø-Ø-1	E	CIRCUIT SCHEMATIC						
44	A-PL-7009402-0-0	E/M	CONSOLE REWORK										
	C-MD-9606145-0-0	M	TOOL SWITCH HANDLE REMOVAL										
	D-CS-5409701-2-0	E	CONSOLE (KY11-DK)										
				47	E-AD-7009409-0-0	E/M	DIODE HEATSINK ASSY						
					B-MD-7411475-0-0	M	ROD THREADED						
					D-MD-7410896-0-0	M	FAN BRACKET						
					D-IA-7410897-0-0	M	HEAT SINK SUPPORT						
					B-MD-7411460-0-0	M	PANEL BAFFLE						
45	D-IA-7412935-0-0	M	PANEL INDICATOR										
	C-SS-7412935-0-1	M	SILKSCREEN										
	C-SS-7412935-0-2	M	SILKSCREEN										
	C-SS-7412935-0-3	M	SILKSCREEN										
	C-SS-7412935-0-4	M	SILKSCREEN										
				48	D-AD-7009410-0-0	E/M	COMPONENT MTG PLATE ASSY						
					E-MD-7410899-0-0	M	COMPONENT MTG PLATE						
					C-IA-7410900-0-0	M	CAP MTG BRACKET #1						
					C-IA-7410901-0-0	M	CAP MTG BRACKET #2						
46	E-UA-H76Ø-Ø-Ø	E/M	RAW POWER SUPPLY (H76Ø)										
	A-PL-H76Ø-Ø-Ø	E/M	RAW POWER SUPPLY (PL)										
	E-IA-7410892-0-0	M	CHASSIS POWER SUPPLY										
	C-MD-7410893-0-0	M	PLATE MOUNTING										
	C-MD-7410903-0-0	M	HINGE REWORK										
	D-MD-7410902-2-0	M	ANGLE COVER MTG. L.H.										
	D-MD-7410902-1-0	M	ANGLE COVER MTG. R.H.										
	D-MD-7411558-1-0	M	COVER PROTECTION #3										
	D-MD-7411586-0-0	M	PLATE PROTECTION										
	D-MD-7411558-2-0	M	COVER PROTECTION										
	D-IA-7410898-0-0	M	COVER POWER SUPPLY										
	C-IA-7413131-0-0	M	CAP MOUNTING BRKT #1										
TYPE: E ELECTRICAL M MECHANICAL E/M ELECTRO/MECHANICAL				TITLE ARITHMETIC PROCESSOR		SHEET 14 OF 24		SIZE CODE B DD		NUMBER KL1Ø-Ø		REV	

FIND NO	DRAWING NO	TYPE	DESCRIPTION	FIND NO	DRAWING NO	TYPE	DESCRIPTION					
49	D-IA-7009772-0-0	M	SCREEN WELDMENT #1		B-DC-5308754-3-0	M	DECAL 21 POINT (NUMBERS)					
	C-MD-7411708-0-0	M	BRACKET SCREEN #1		B-DC-5308754-5-0	M	DECAL 21 POINT (NUMBERS)					
	C-MD-7411555-0-0	M	PROTECTION SCREEN #1		B-DC-5308754-7-0	M	DECAL 21 POINT (NUMBERS)					
					B-DC-5308754-9-0	M	DECAL 21 POINT (NUMBERS)					
					B-DC-5308754-11-0	M	DECAL 21 POINT (NUMBERS)					
					B-DC-5308754-13-0	M	DECAL 21 POINT (NUMBERS)					
					B-DC-5308754-15-0	M	DECAL 21 POINT (NUMBERS)					
					B-DC-5308754-17-0	M	DECAL 21 POINT (NUMBERS)					
					B-DC-5308753-31-0	M	DECAL 21 POINT (LETTERS)					
					B-DC-5308753-3-0	M	DECAL 21 POINT (LETTERS)					
					B-DC-5308753-1-0	M	DECAL 21 POINT (LETTERS)					
50	D-IA-7009773-0-0	M	SCREEN WELDMENT #2		B-DC-5308753-23-0	M	DECAL 21 POINT (LETTERS)					
	D-MD-7411709-0-0	M	BRACKET SCREEN #2		B-DC-5308753-27-0	M	DECAL 21 POINT (LETTERS)					
	D-MD-7411557-0-0	M	PROTECTION SCREEN #2		B-DC-5308944-5-0	M	DECAL 12 POINT (LETTERS)					
					B-DC-5308943-1-0	M	DECAL 12 POINT (NUMBERS)					
					B-DC-5308943-3-0	M	DECAL 12 POINT (NUMBERS)					
					B-DC-5308943-5-0	M	DECAL 12 POINT (NUMBERS)					
					B-DC-5308943-7-0	M	DECAL 12 POINT (NUMBERS)					
					B-DC-5308943-9-0	M	DECAL 12 POINT (NUMBERS)					
					B-DC-5308943-11-0	M	DECAL 12 POINT (NUMBERS)					
					B-DC-5308943-13-0	M	DECAL 12 POINT (NUMBERS)					
					B-DC-5308943-15-0	M	DECAL 12 POINT (NUMBERS)					
51	C-IA-7010838-0-0	M	CAPACITOR SUPPORT WELDMENT		B-DC-5308943-17-0	M	DECAL 12 POINT (NUMBERS)					
	C-IA-7413132-0-0	M	PLATE CAP MOUNTING		B-DC-5308943-19-0	M	DECAL 12 POINT (NUMBERS)					
	C-IA-7413456-0-0	M	BRACKET CAP MOUNTING		D-IA-7009546-0-0	E/M	HARNESS SENSE					
					E-IA-7010307-0-0	E/M	HARNESS AC FAN H761					
					E-IA-7009547-0-0	E/M	HARNESS OPEN SENSE					
					E-IA-7009545-0-0	E/M	HARNESS DRIVE SCR & SCR RTN					
					D-CS-G8Ø1Ø-3-Ø	E	-5.2V CONTROL					
					D-CS-G8Ø11-1-Ø	E	-2.0V CONTROL					
					D-CS-G8Ø13-Ø-1	E	+10V REFERENCE					
					D-CS-G8Ø14-Ø-1	E	DC LOW VOLTAGE DETECTOR					
52	E-UA-H761-Ø-Ø	E/M	REGULATED POWER SUPPLY H761									
	A-PL-H761-Ø-Ø	E/M	REGULATED POWER SUPPLY (PL)									
	E-IA-7410991-0-0	M	CHASSIS REG. POWER SUPPLY									
	E-IA-7410993-0-0	M	SUPPORT CIRCUIT BREAKER									
	D-IA-7411571-1-0	M	SUPPORT REG. ASSY									
	B-MD-7411529-0-0	M	CONN BUSS BAR									
	C-IA-741554-1-0	M	STRIP BUSSING RETURN									
	C-MD-7411531-0-0	M	BUSS BAR NO. 1 (-12V)									
	C-MD-7411532-0-0	M	BUSS BAR NO. 2 (-12V)									
	B-MD-7412425-0-0	M	CONN PINS PROTECTION PLATE									
	D-IA-7411571-2-0	M	SUPPORT REG ASSY									
	A-DC-7409873-0-0	M	DECAL PWR CONN									
	B-DC-5308944-3-0	M	DECAL 12 POINT (LETTERS)									
TYPE: E ELECTRICAL M MECHANICAL E/M ELECTRO/MECHANICAL				TITLE ARITHMETIC PROCESSOR		SHEET 15 OF 24		SIZE CODE B DD		NUMBER KL1Ø-Ø		REV

















FIND NO	DRAWING NO	TYPE	DESCRIPTION	FIND NO	DRAWING NO	TYPE	DESCRIPTION			
93	E-AD-7009418-0-0	E/M	LOGIC ASSY CPU		D-UA-M8527-Ø-Ø	E/M	EBOX CONTROL LOGIC			
	A-PL-7009418-0-0	E/M	LOGIC ASSY CPU (PL)		B-DD-M8527-Ø	E/M	M8527 DRAWING DIRECTORY			
	D-UA-M851Ø-Ø-Ø	E/M	SHIFT MATRIX		D-UA-M8528-Ø-Ø	E/M	CONTROL RAM			
	B-DD-M851Ø-Ø	E/M	M851Ø DRAWING DIRECTORY		B-DD-M8528-Ø	E/M	M8528 DRAWING DIRECTORY			
	D-UA-M8511-Ø-Ø	E/M	CONTROL ROM ADDRESS		D-UA-M8529-Ø-Ø	E/M	MBOX CONTROL LOGIC			
	B-DD-M8511-Ø	E/M	M8511 DRAWING DIRECTORY		B-DD-M8529-Ø	E/M	M8529 DRAWING DIRECTORY			
	D-UA-M8512-Ø-Ø	E/M	DATA PATH BOARD		D-UA-M853Ø-Ø-Ø	E/M	EBOX MEMORY CONTROL			
	B-DD-M8512-Ø	E/M	M8512 DRAWING DIRECTORY		B-DD-M853Ø-Ø	E/M	M853Ø DRAWING DIRECTORY			
	D-UA-M8513-Ø-Ø	E/M	CACHE CONTROL		D-UA-M8531-Ø-Ø	E/M	MBOX CONTROL #3			
	B-DD-M8513-Ø	E/M	M8513 DRAWING CONTROL		B-DD-M8531-Ø	E/M	M8531 DRAWING DIRECTORY			
	D-UA-M8516-Ø-Ø	E/M	ECL,TTL TRANSLATOR		D-UA-M8532-Ø-Ø	E/M	PRIORITY INTERRUPT EBUS INTERFACE			
	B-DD-M8516-Ø	E/M	M8516 DRAWING DIRECTORY		B-DD-M8532-Ø	E/M	M8532 DRAWING DIRECTORY			
	D-UA-M8517-Ø-Ø	E/M	MEMORY BUFFER		D-UA-M8537-Ø-Ø	E/M	MBOX CONTROL #4			
	B-DD-M8517-Ø	E/M	M8517 DRAWING DIRECTORY		B-DD-M8537-Ø	E/M	M8537 DRAWING DIRECTORY			
	D-UA-M8518-Ø-Ø	E/M	PHYSICAL MEMORY ADDRESS MODULE		D-UA-M8538-Ø-Ø	E/M	MTR (METER)			
	B-DD-M8518-Ø	E/M	M8518 DRAWING DIRECTORY		B-DD-M8538-Ø	E/M	M8538 DRAWING DIRECTORY			
	D-UA-M8519-Ø-Ø	E/M	INT MEM BUS TRANSLATOR (SBUS)		D-UA-M8539-Ø-Ø	E/M	APR (ARITHMETIC PROCESS REGISTER)			
	B-DD-M8519-Ø	E/M	M8519 DRAWING DIRECTORY		B-DD-M8539-Ø	E/M	M8539 DRAWING DIRECTORY			
	D-UA-M852Ø-Ø-Ø	E/M	PAGING BOARD							
	B-DD-M852Ø-Ø	E/M	M852Ø DRAWING DIRECTORY							
	D-UA-M8522-Ø-Ø	E/M	IR, DRAM & CARRY							
	B-DD-M8522-Ø	E/M	M8522 DRAWING DIRECTORY							
	D-UA-M8523-Ø-Ø	E/M	VIRTUAL MEMORY ADDRESS							
	B-DD-M8523-Ø	E/M	M8523 DRAWING DIRECTORY	94	E-AD-7009411-0-0	E/M	FAN ASSY CPU			
	D-UA-M8524-Ø-Ø	E/M	SCAD PC13-17 PC FLAGS		E-IA-7410929-0-0	M	FAN HOUSING (4) FANS			
	B-DD-M8524-Ø	E/M	M8524 DRAWING DIRECTORY		E-IA-7410944-0-0	M	BAFFLE (4) FANS			
	D-UA-M8525-Ø-Ø	E/M	CONTROL REGISTER							
	B-DD-M8525-Ø	E/M	M8525 DRAWING DIRECTORY							
	D-UA-M8526-Ø-Ø	E/M	CLOCK CONTROL							
	B-DD-M8526-Ø	E/M	M8526 DRAWING DIRECTORY							
TYPE: E ELECTRICAL M MECHANICAL E/M ELECTRO/MECHANICAL				TITLE ARITHMETIC PROCESSOR		SHEET 22 OF 24		SIZE CODE NUMBER B DD KL1Ø-Ø		REV





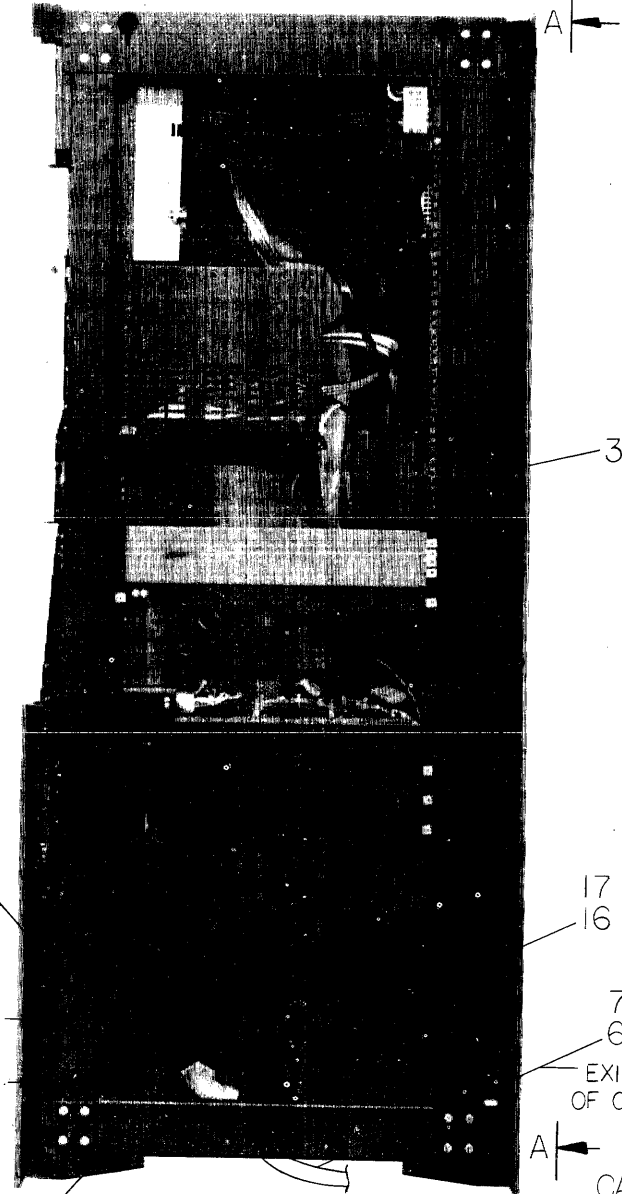
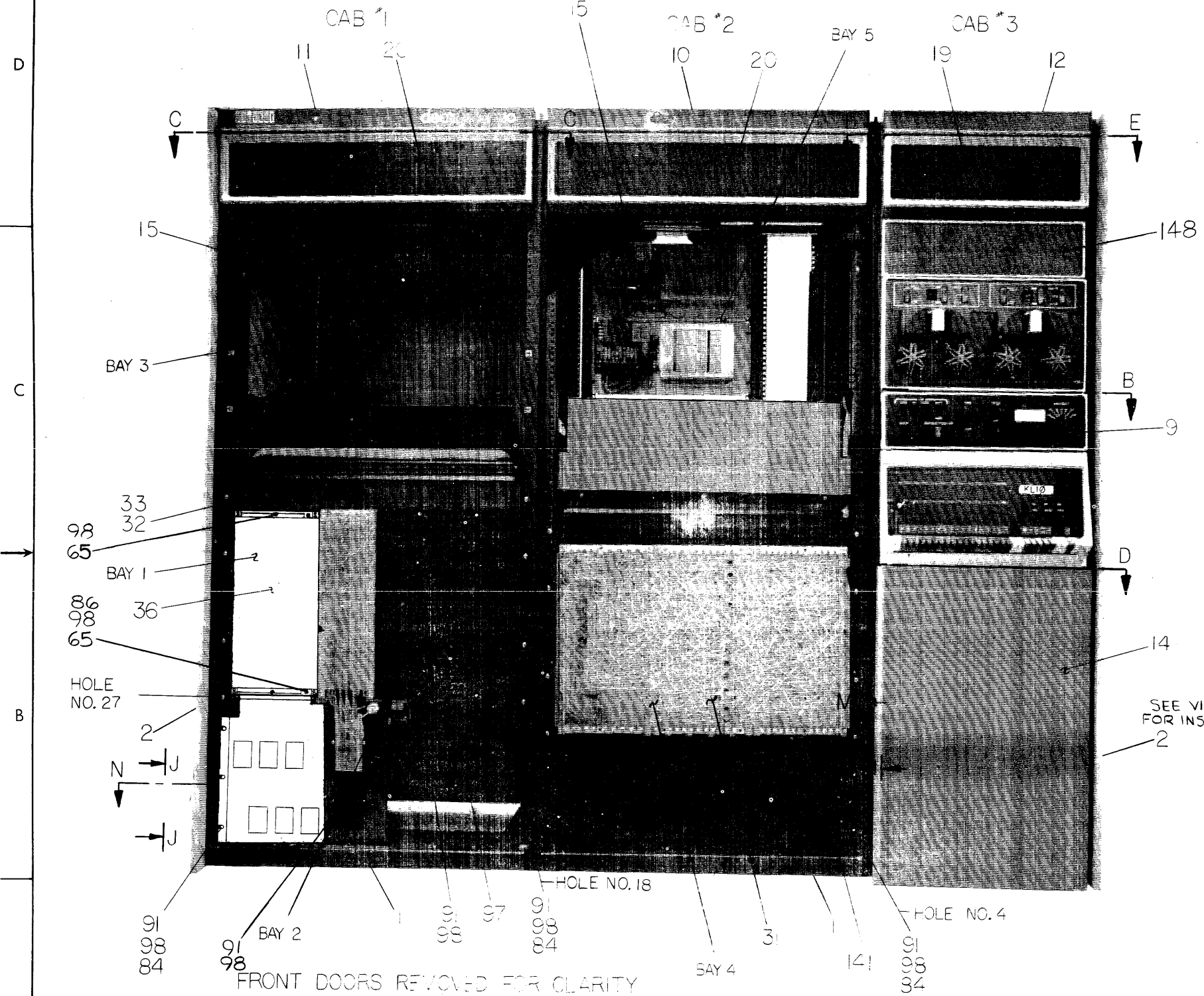


THIS DRAWING AND SPECIFICATIONS, HEREIN, ARE THE PROPERTY OF DIGITAL EQUIPMENT CORPORATION, AND SHALL NOT BE REPRODUCED OR COPIED OR USED IN WHOLE OR IN PART AS THE BASIS FOR THE MANUFACTURE OR SALE OF ITEMS WITHOUT WRITTEN PERMISSION. COPYRIGHT © 1975, DIGITAL EQUIPMENT CORPORATION.

0-0-017 KLIØ 2 1

LEGEND	
NUMBER	VARIATION
KLIØ-AA	ECL PROCESSOR W/CACHE, NO CHANNELS 6Ø HZ
KLIØ-AB	SAME AS AA 5Ø HZ
KLIØ-BA	ECL PROCESSOR W/CACHE, CHANNEL CONTROL 6Ø HZ
KLIØ-BB	SAME AS BA 5Ø HZ

SEE SHEET 6 FOR NOTES.



SEE VIEW J-J FOR INSTALLATION

CAUTION: OFF SHEET PARTS LIST EXISTS C-PL-KLIØ-Ø-Ø

REV	CHANGE NO	DATE

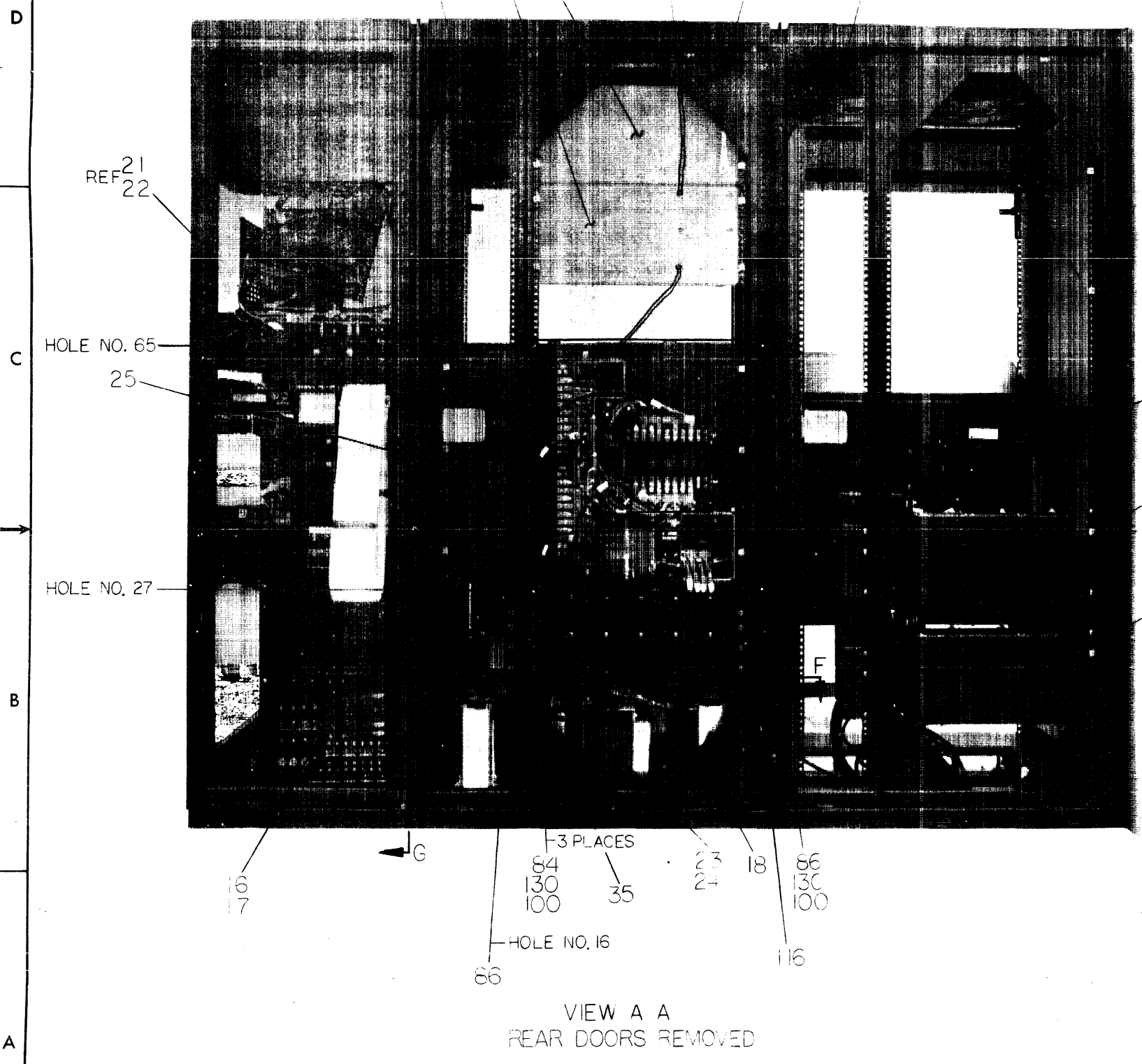
FIRST USED ON OPTION MODEL	QTY.	DESCRIPTION	PART NO.	ITEM NO.
KLIØ				
UNLESS OTHERWISE SPECIFIED DIMENSION IN INCHES				
TOLERANCES				
DECIMALS	ANGLES	DATE		
.xxx = .005	Ø 30'	3-27-75		
.xx = .02		7-8-75		
.x = .1		7-9-75		
REMOVE BURRS AND BREAK SHARP CORNERS SURFACE QUALITY				
MATERIAL				
SEE PARTS LIST				
FINISH				
NEXT HIGHER ASSY.				
B-DC-KLIØ-Ø-Ø				
SCALE				
SHEET 1 OF 15				
PARTS LIST		TITLE		
digital EQUIPMENT CORPORATION		ARITHMETIC PROCESSOR		
MAYNARD MASSACHUSETTS		NUMBER		
DUA		KLIØ-Ø-Ø		
REV.		REV.		

DEC FORM NO DAD 102-C



"THIS DRAWING AND SPECIFICATIONS, HEREIN, ARE THE PROPERTY OF DIGITAL EQUIPMENT CORPORATION AND SHALL NOT BE REPRODUCED OR COPIED OR USED IN WHOLE OR IN PART AS THE BASIS FOR THE MANUFACTURE OR SALE OF ITEMS WITHOUT WRITTEN PERMISSION. COPYRIGHT © 1975 DIGITAL EQUIPMENT CORPORATION"

123  
 THIS STRAP IS CONNECTED TO 5/16-18 STUD ON MTG DOOR. SEE SHT 5 FOR GROUND STRAP CONNECTIONS

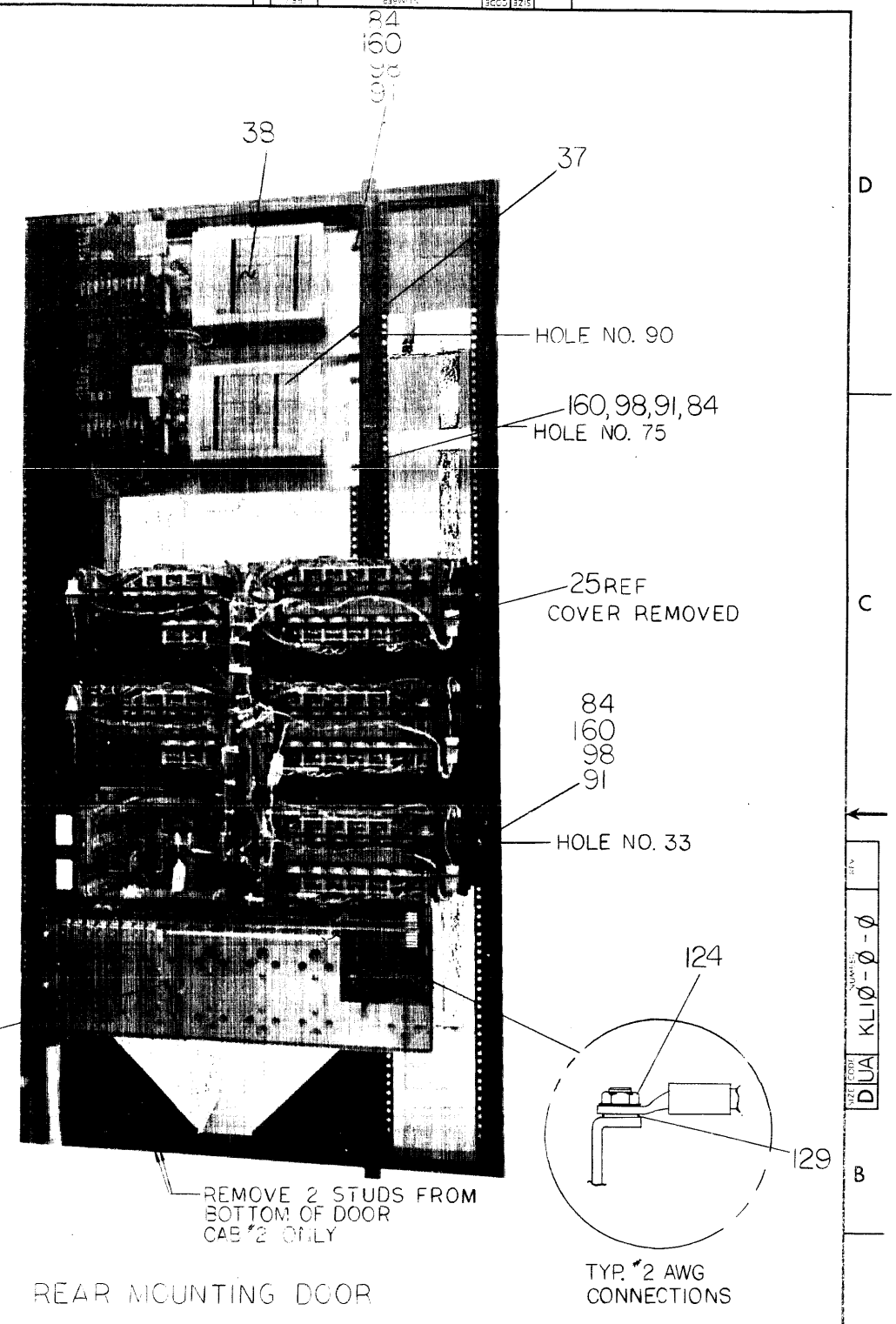


VIEW A A  
 REAR DOORS REMOVED

34  
 TYP LOCATION OF DECAL ON ITEMS #31 & #32 OR #33

27 REF  
 26

27 REF  
 26



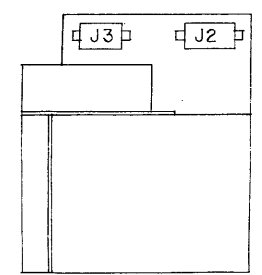
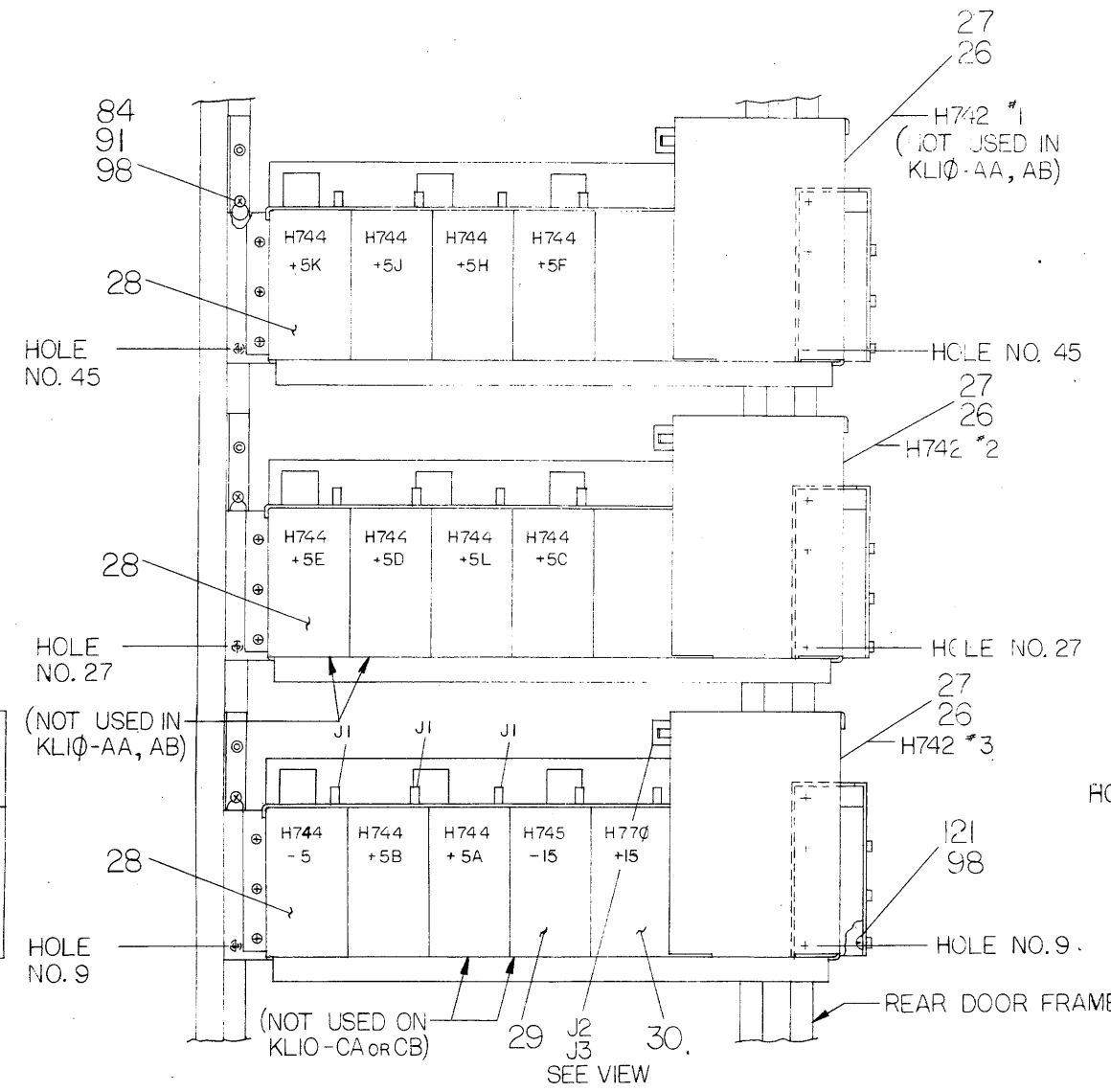
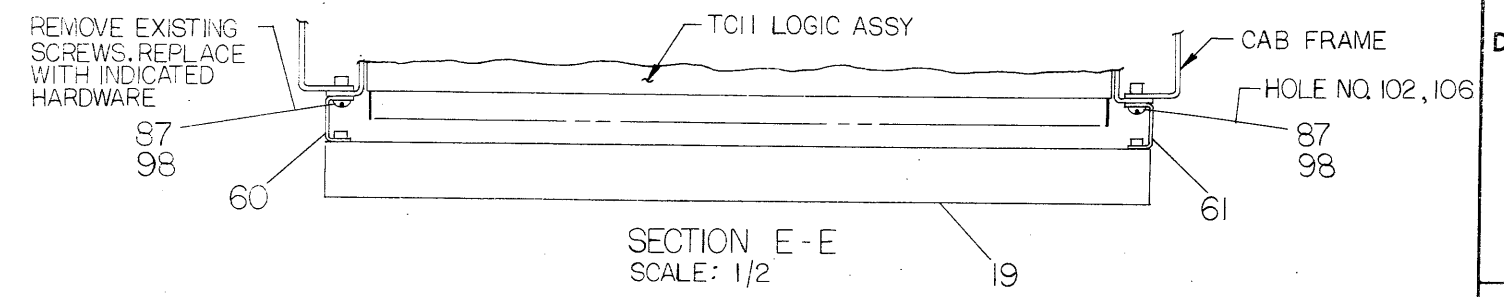
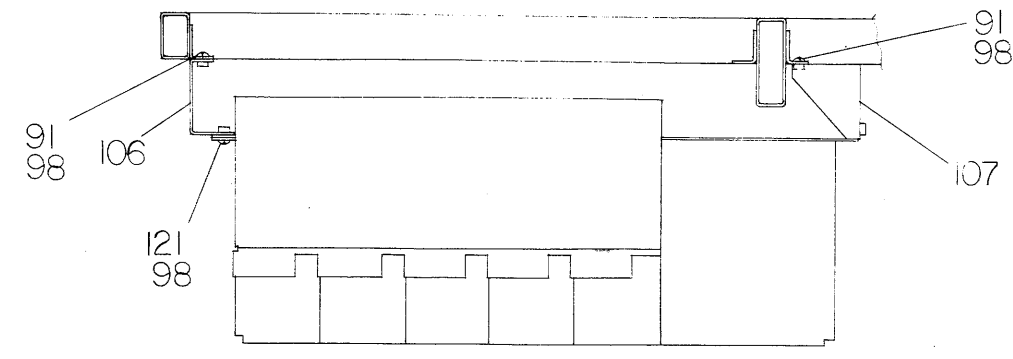
REAR MOUNTING DOOR

TYP. #2 AWG CONNECTIONS

REVISIONS		
CHK	CHANGE NO.	REV.

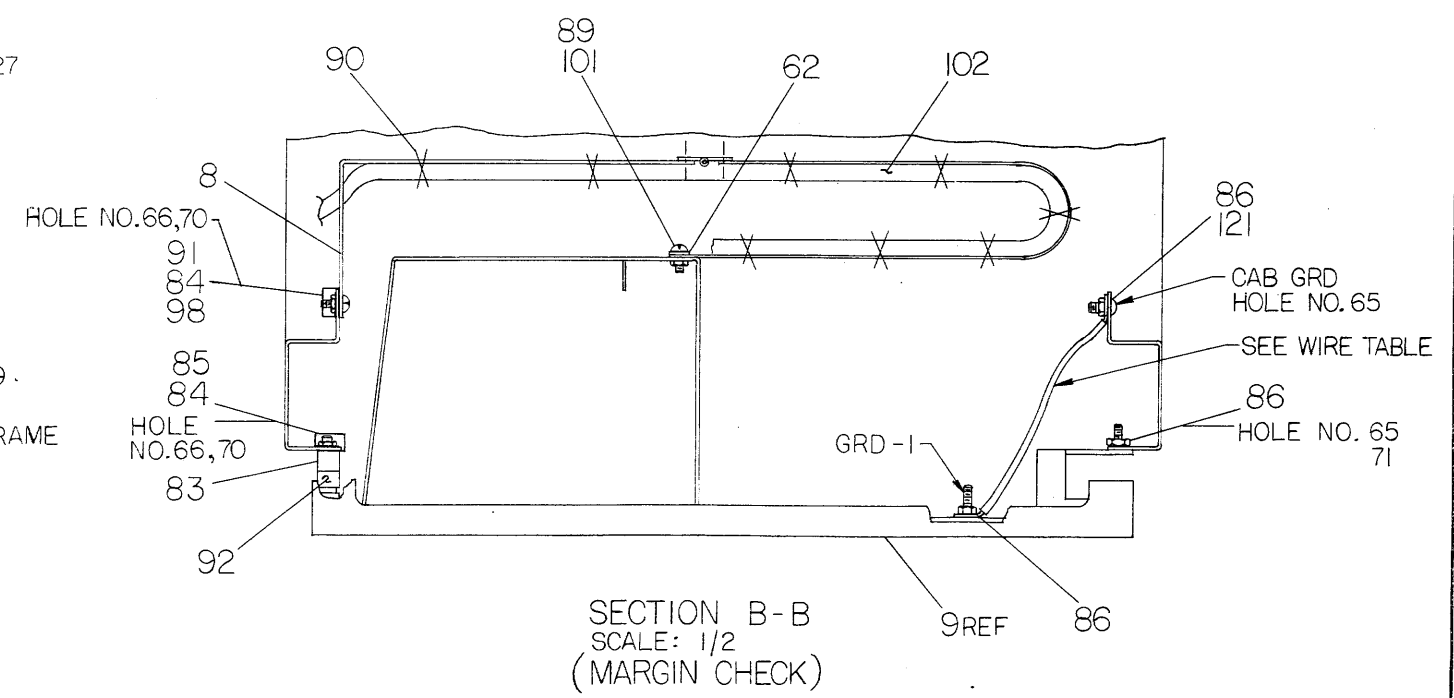
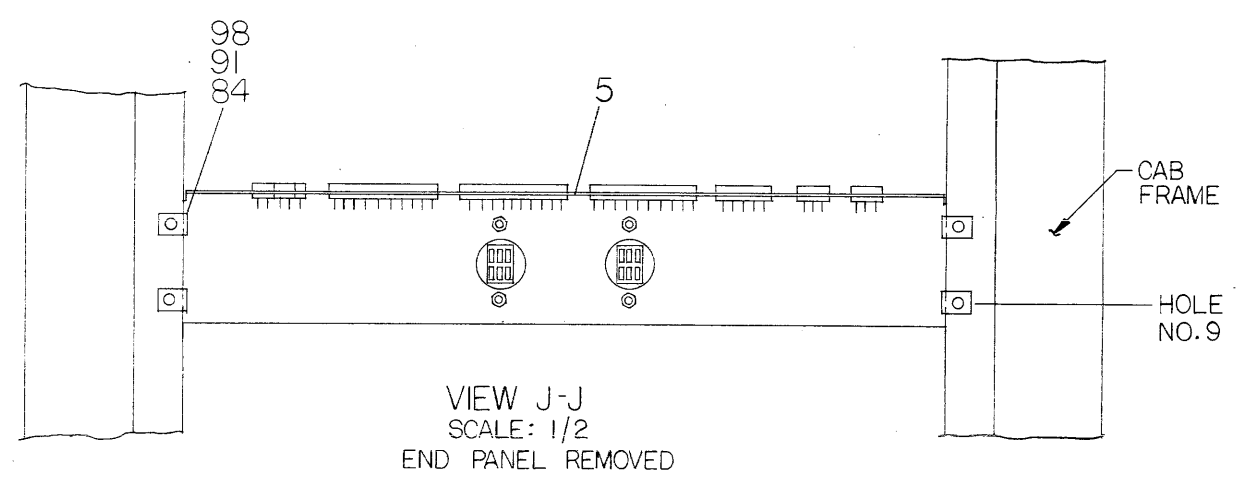
TITLE	SIZE CODE	NUMBER	REV.
ARITHMETIC PROCESSOR	DUA	KLIO-0-0	
SCALE	SHEET 2 OF 15	DIST.	

"THIS DRAWING AND SPECIFICATIONS HEREIN ARE THE PROPERTY OF DIGITAL EQUIPMENT CORPORATION AND SHALL NOT BE REPRODUCED OR COPIED OR USED IN WHOLE OR IN PART AS THE BASIS FOR THE MANUFACTURE OR SALE OF ITEMS WITHOUT WRITTEN PERMISSION. COPYRIGHT © 1975 DIGITAL EQUIPMENT CORPORATION"



VIEW OF H742 CONNECTIONS

CAB REAR DOOR (OPENED) SCALE: NONE



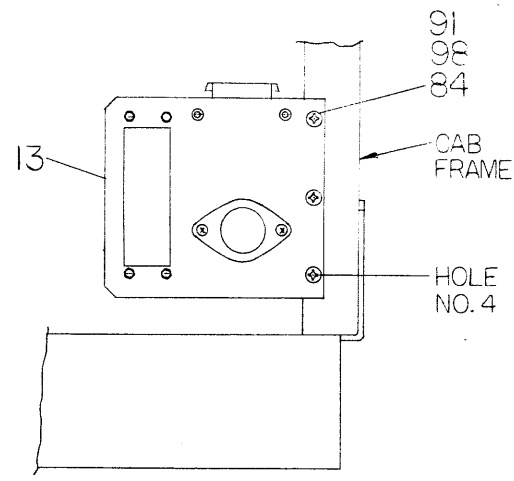
SECTION B-B SCALE: 1/2 (MARGIN CHECK)

REVISIONS		
CHK	CHANGE NO.	REV.

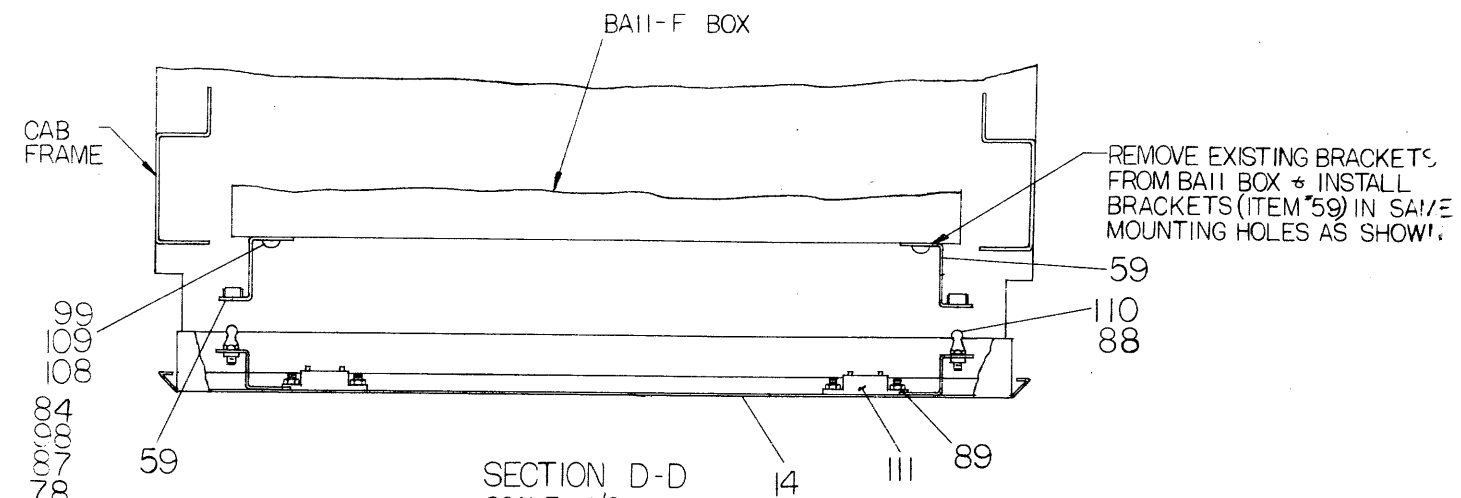
TITLE	SIZE CODE	NUMBER	REV.
ARITHMETIC PROCESSOR	DUA	KLIO-0-0	
SCALE	SHEET	OF	DIST.
	3	15	

THIS DRAWING AND SPECIFICATIONS, HEREIN, ARE THE PROPERTY OF DIGITAL EQUIPMENT CORPORATION AND SHALL NOT BE REPRODUCED OR COPIED OR USED IN WHOLE OR IN PART AS THE BASIS FOR THE MANUFACTURE OR SALE OF ITEMS WITHOUT WRITTEN PERMISSION. COPYRIGHT © 1975 DIGITAL EQUIPMENT CORPORATION

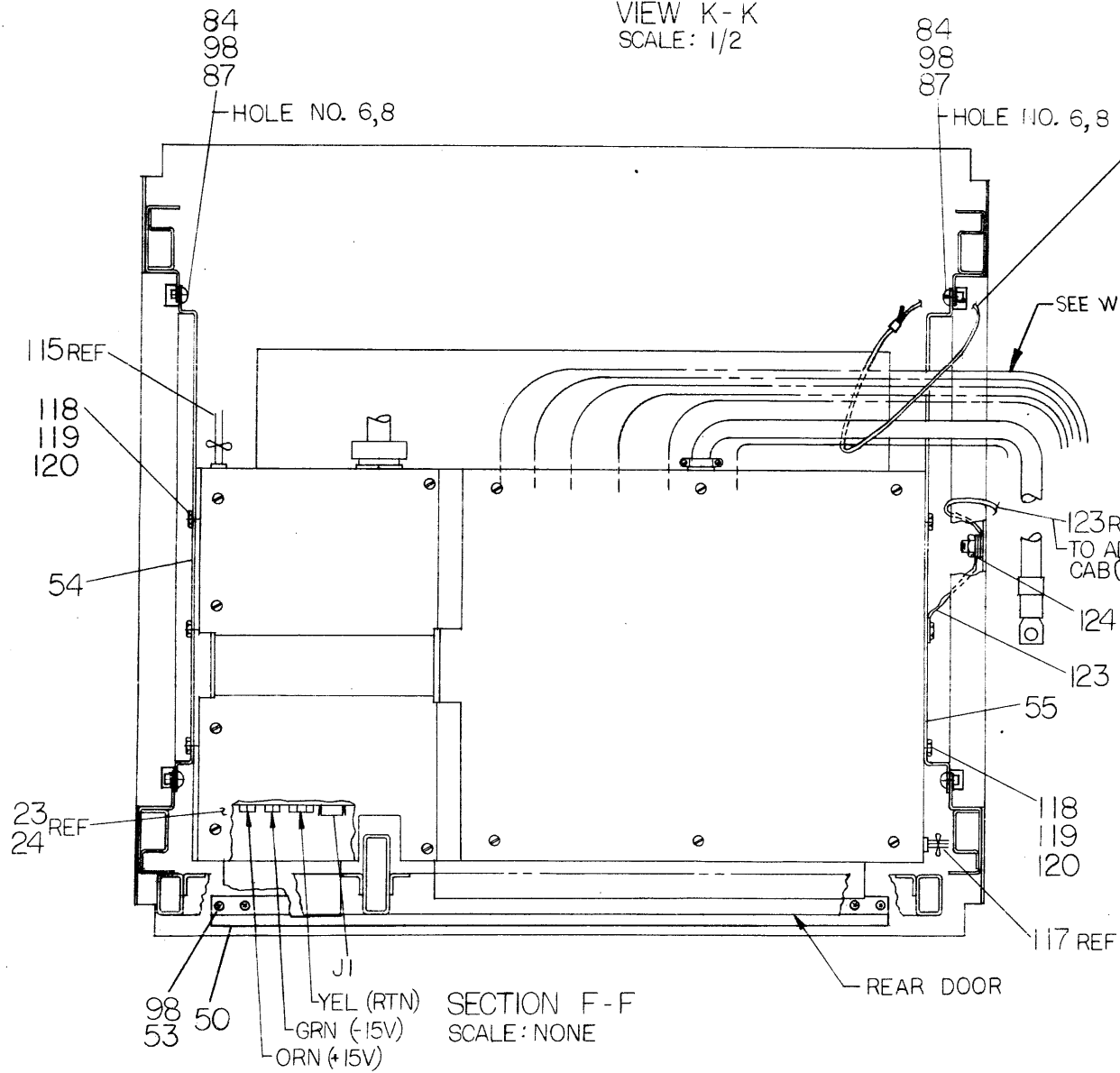
REV. 2  
 SIZE CODE DUA  
 NUMBER KL10-0-0



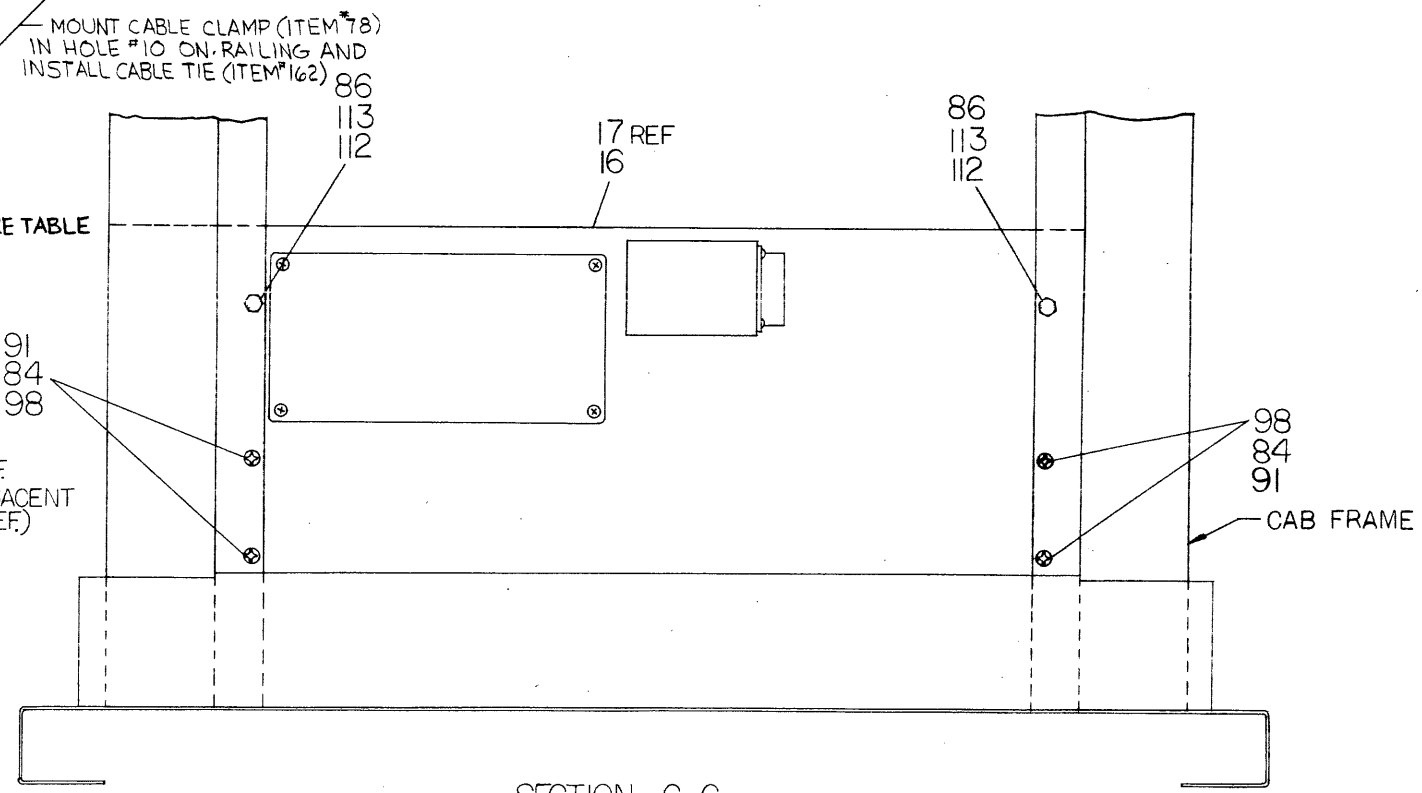
VIEW K-K  
 SCALE: 1/2



SECTION D-D  
 SCALE: 1/2



SECTION F-F  
 SCALE: NONE

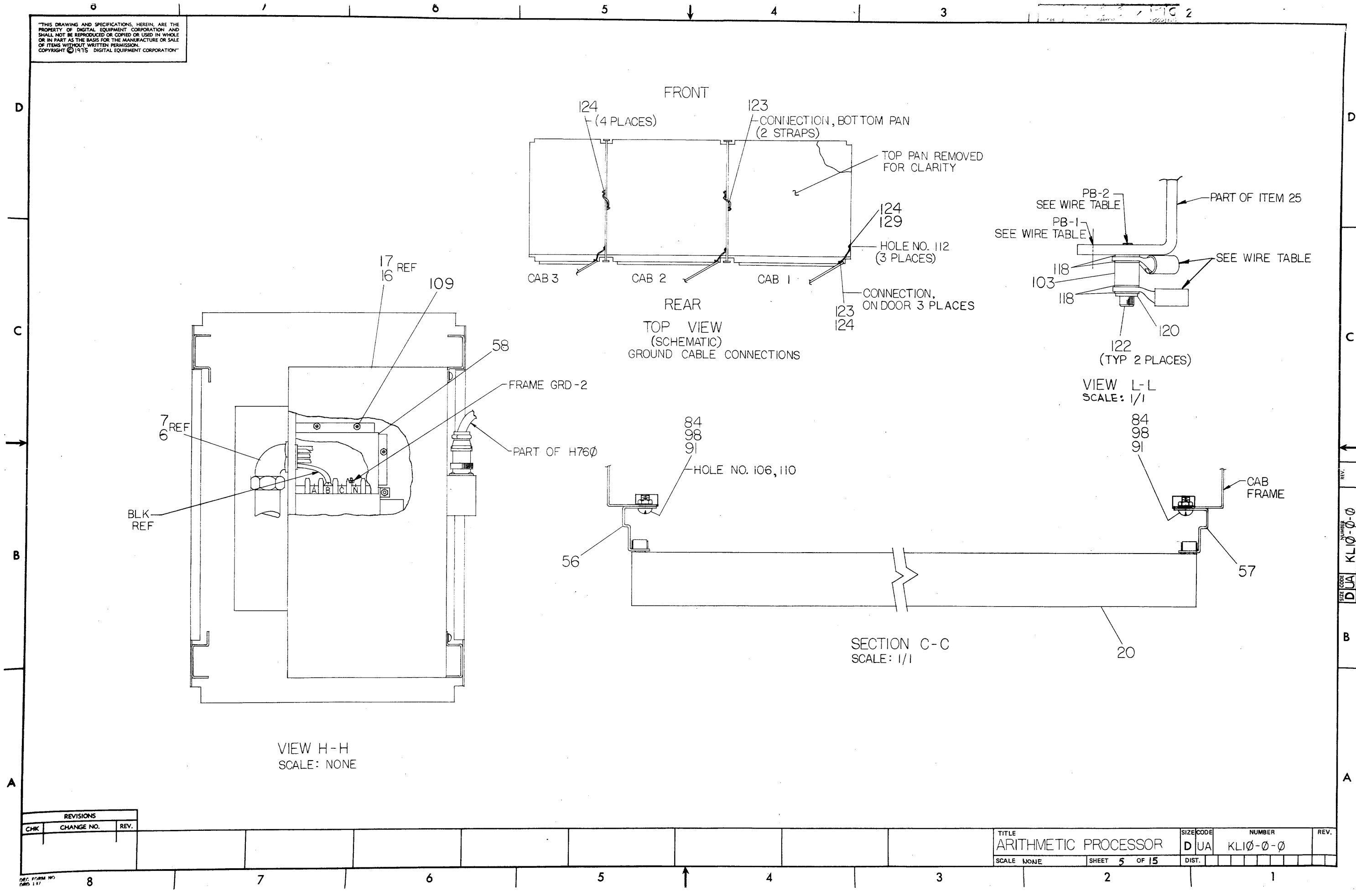


SECTION G-G  
 SCALE: 1/2

REVISIONS		
CHK	CHANGE NO.	REV.

TITLE	SIZE CODE	NUMBER	REV.
ARITHMETIC PROCESSOR	DUA	KL10-0-0	
SCALE	SHEET	OF	DIST.
	4	15	

"THIS DRAWING AND SPECIFICATIONS, HEREIN, ARE THE PROPERTY OF DIGITAL EQUIPMENT CORPORATION AND SHALL NOT BE REPRODUCED OR COPIED OR USED IN WHOLE OR IN PART AS THE BASIS FOR THE MANUFACTURE OR SALE OF ITEMS WITHOUT WRITTEN PERMISSION. COPYRIGHT © 1975 DIGITAL EQUIPMENT CORPORATION"



REVISIONS		
CHK	CHANGE NO.	REV.

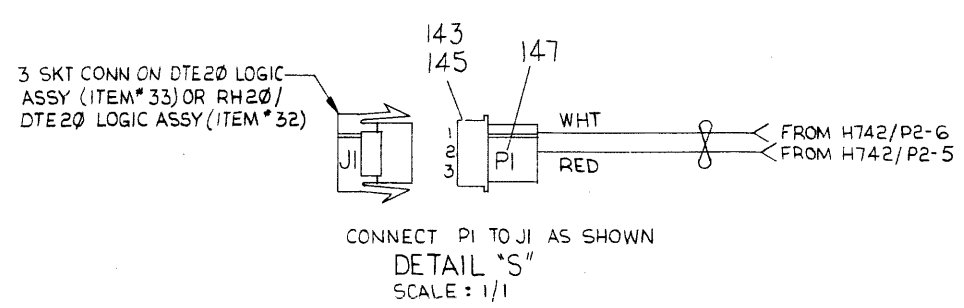
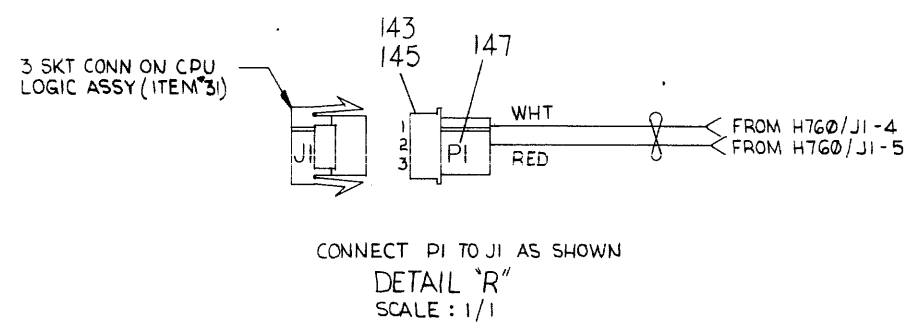
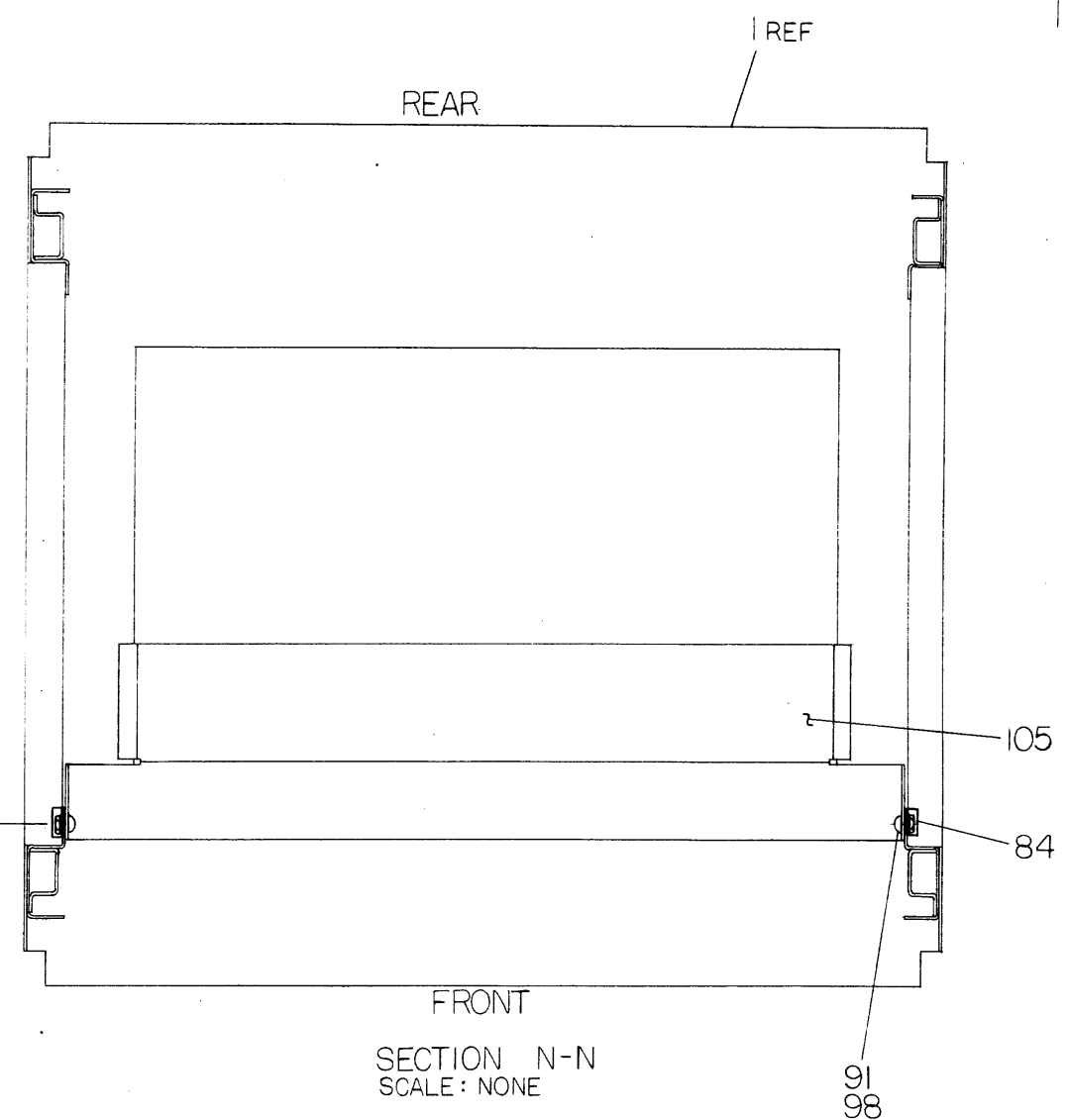
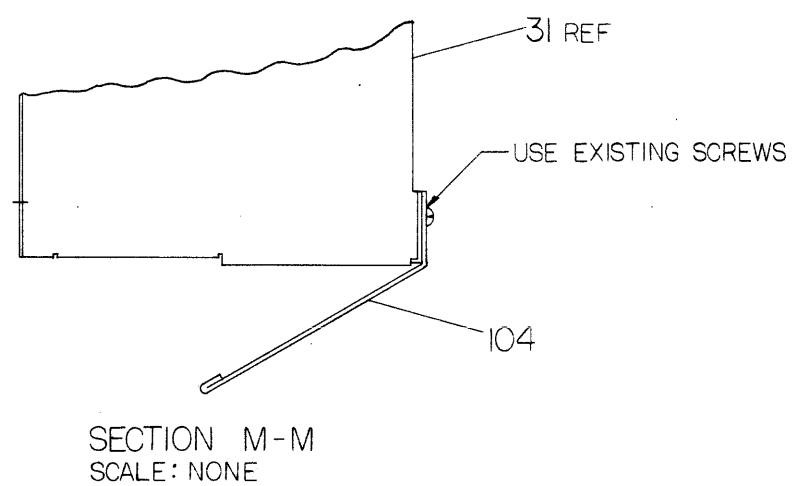
REV. NUMBER  
DUA KLIØ-Ø-Ø

TITLE	SIZE CODE	NUMBER	REV.
ARITHMETIC PROCESSOR	DUA	KLIØ-Ø-Ø	
SCALE NONE	SHEET 5 OF 15	DIST.	

THIS DRAWING AND SPECIFICATIONS, HEREIN, ARE THE PROPERTY OF DIGITAL EQUIPMENT CORPORATION AND SHALL NOT BE REPRODUCED OR COPIED OR USED IN WHOLE OR IN PART AS THE BASIS FOR THE MANUFACTURE OR SALE OF ITEMS WITHOUT WRITTEN PERMISSION.  
 COPYRIGHT © 1975 DIGITAL EQUIPMENT CORPORATION

REV. 0-0  
 NUMBER DUA KL10-0-0  
 SIZE CODE 2

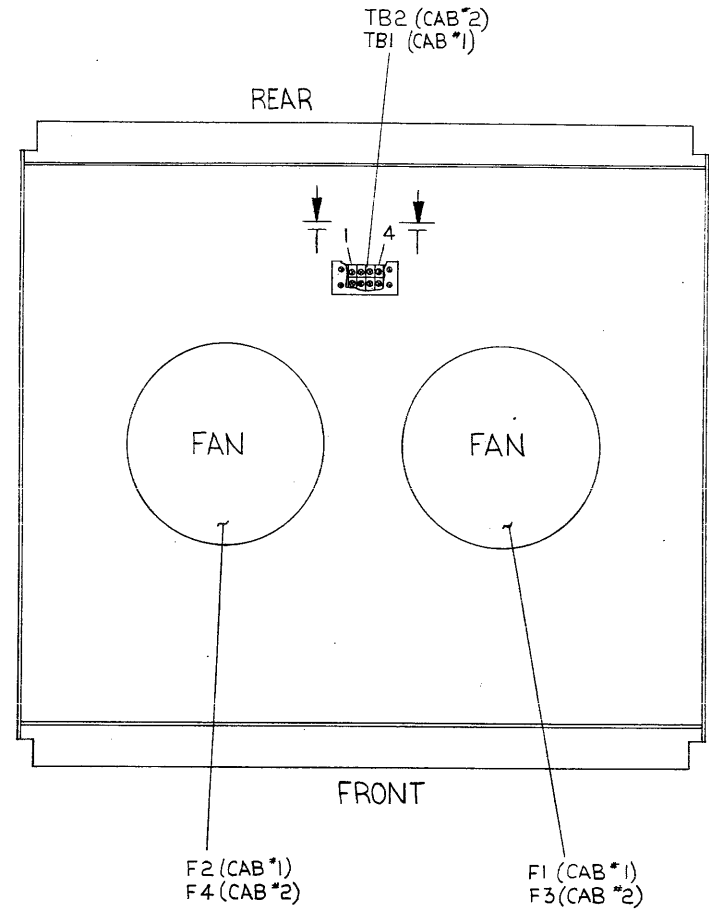
- NOTES:
1. INSTALL QC STATUS LABEL (ITEM\*163) ON INSIDE LEFT FLANGE (FROM REAR) OF CAB\*2, TOP PAN
  2. APPLY DECAL (ITEM\*82) 115 VAC 50-60HZ TO TERMINAL COVER (ITEM\*63) 2 PLACES.
  3. POINT 30 OF DC I/O HARNESS (ITEM\*42) CRIMPS TOGETHER WITH POINT 20 OF FAULT HARNESS (ITEM\*43) WITH (ITEM\*45) PIN CONTACT AND IS INSERTED INTO CPU VANE SWITCH ASSY J1-3 (KLI0-AA & AB ONLY)
  4. POINT 54 OF DC I/O HARNESS (ITEM\*44) CRIMPS TOGETHER WITH POINT 20 OF FAULT HARNESS (ITEM\*43) WITH (ITEM\*45) PIN CONTACT AND IS INSERTED INTO CPU VANE SWITCH ASSY J1-3 (KLI0-BA & BB ONLY)
  5. INSERT PRIORITY PLUG #5408780 SUPPLIED WITH IO/II INTERFACE MODULE SET (ITEM\*64) IN SKT\*1 OF INTERRUPT JUMPER DTE20 (M8564) OF SWITCH ASSY D-IA-7010103-0-0 USED ON DTE20 LOGIC ASSY (ITEM\*33) AND RH20/DTE20 LOGIC ASSY (ITEM\*32)



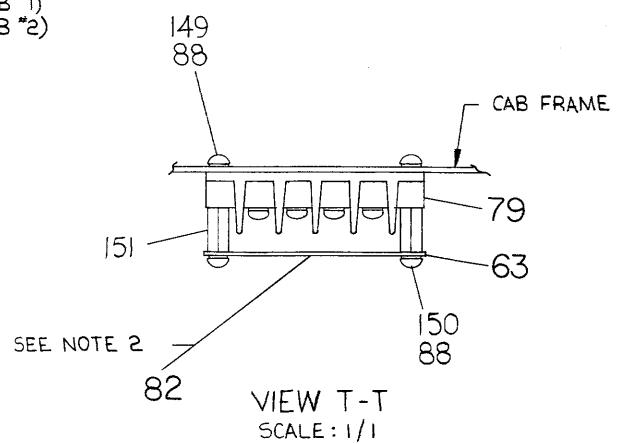
REVISIONS		
CHK	CHANGE NO.	REV.

TITLE	SIZE CODE	NUMBER	REV.
ARITHMETIC PROCESSOR	DUA	KLI0-0-0	
SCALE	SHEET	DIST.	
++	6 OF 15		

"THIS DRAWING AND SPECIFICATIONS, HEREIN, ARE THE PROPERTY OF DIGITAL EQUIPMENT CORPORATION AND SHALL NOT BE REPRODUCED OR COPIED OR USED IN WHOLE OR IN PART AS THE BASIS FOR THE MANUFACTURE OR SALE OF ITEMS WITHOUT WRITTEN PERMISSION. COPYRIGHT © 1975, DIGITAL EQUIPMENT CORPORATION"



VIEW P-P  
SCALE: NONE



VIEW T-T  
SCALE: 1/1

TINNERMAN NUT LOCATION CHART (ITEM #84)		
CABINET	RAIL	HOLE LOCATION
CAB #1	FRONT RIGHT SIDE	27,36,50,59,106,110
	FRONT LEFT SIDE	7,15,23,27,36,50,59,106,110
	FRONT INSIDE RAIL LEFT SIDE	7,10
	REAR DOOR LEFT SIDE	18,21,37,40,56,59
	REAR INSIDE RAIL LEFT SIDE	7,10
CAB #2	FRONT RIGHT SIDE	4,13,18,27,41,50,106,110
	FRONT LEFT SIDE	4,13,18,27,41,50,106,110
	FRONT INSIDE RAIL RIGHT SIDE	6,8
	FRONT INSIDE RAIL LEFT SIDE	6,8
	REAR INSIDE RAIL RIGHT SIDE	6,8
	REAR INSIDE RAIL LEFT SIDE	6,8
	REAR DOOR RIGHT SIDE	33,48,60
	REAR DOOR LEFT SIDE	33,48,60,65,72,82,87,97
CAB #3	FRONT RIGHT SIDE	4,8,12,65,71
	FRONT LEFT SIDE	66,70
	FRONT INSIDE RAIL RIGHT SIDE	7,10
	FRONT INSIDE RAIL LEFT SIDE	66,70
	REAR INSIDE RAIL RIGHT SIDE	7,10

REVISIONS		
CHK	CHANGE NO.	REV.

TITLE	SIZE CODE	NUMBER	REV.
ARITHMETIC PROCESSOR	DUA	KL10-0-0	
SCALE	SHEET	DIST.	
	7 OF 15		

THIS DRAWING AND SPECIFICATIONS HEREIN ARE THE PROPERTY OF DIGITAL EQUIPMENT CORPORATION AND SHALL NOT BE REPRODUCED OR COPIED OR USED IN WHOLE OR IN PART AS THE BASIS FOR THE MANUFACTURE OR SALE OF ITEMS WITHOUT WRITTEN PERMISSION. COPYRIGHT © 1975 DIGITAL EQUIPMENT CORPORATION

HARNESS CONNECTION CHART

HARNESS CONNECTION CHART

HARNESS CONNECTION CHART

HARNESS CONNECTION CHART

ITEM NO	HARNESS TERM. POINT	CONNECTION	WITH
39	1	H761/TB4 (-2D, GND)	
	2	H761/TB4 (-2D)	
	3	H761/TB4 (-2C, GND)	
	4	H761/TB4 (-2C)	
	5	H761/TB4 (-2B, GND)	
	6	H761/TB4 (-2B)	
	7	H761/TB2 (-5.2A, GND)	
	8	H761/TB2 (-5.2A)	
	9	H761/TB3 (-5.2E)	
	10	H761/TB3 (-5.2E, GND)	
	11	H761/TB3 (-5.2F)	
	12	H761/TB3 (-5.2F, GND)	
	13	H761/TB3 (-5.2H)	
	14	H761/TB3 (-5.2H, GND)	
	15	H761/TB3 (-5.2J)	
	16	H761/TB3 (-5.2J, GND)	
	17	H761/TB4 (-2A)	
	18	H761/TB4 (-2A, GND)	
	19	H761/TB2 (-5.2B)	
	20	H761/TB2 (-5.2B, GND)	
	21	H761/TB2 (-5.2C)	
	22	H761/TB2 (-5.2C, GND)	
	23	H761/TB2 (-5.2D)	
	24	H761/TB2 (-5.2D, GND)	
	25	H761/TB1 (-5.2K)	
	26	H761/TB1 (-5.2K, GND)	
	27	CPU #1/PT1-U	
	28	CPU #1/PT2-U	
	29	CPU #1/PT3-U	
	30	CPU #1/PT4-U	
	31	CPU #1/PT7-U	
	32	CPU #1/PT8-U	
	33	CPU #1/PT9-U	
	34	CPU #1/PT10-U	
	35	CPU #1/PT11-U	
	36	CPU #2/PT11-U	
	37	CPU #2/PT12-U	
	38	CPU #2/PT13-U	
	39	CPU #2/PT14-U	
	40	CPU #2/PT15-U	
	41	CPU #2/PT16-U	
	42	CPU #2/PT17-U	
	43	CPU #2/PT18-U	
	44	CPU #2/PT19-U	
	45	CPU #2/PT19-U	
	46	CPU #2/PT20-U	
	47	CPU #2/PT20-U	
	48	CPU #2/PT20-U	
	49	CPU #3/PT21-U	
	50	CPU #3/PT22-U	
	51	CPU #3/PT23-U	
	52	CPU #3/PT24-U	
	53	CPU #3/PT25-U	
	54	CPU #3/PT26-U	
	55	CPU #3/PT27-U	
	56	CPU #3/PT28-U	
	57	CPU #3/PT29-U	
	58	CPU #3/PT30-U	
	59	CPU #3/PT31-U	
39	60	CPU #3/PT32-U	

ITEM NO	HARNESS TERM. POINT	CONNECTION	WITH
40	1	H761/TB4 (-2D, GND)	
	2	H761/TB4 (-2D)	
	3	H761/TB4 (-2C, GND)	
	4	H761/TB4 (-2C)	
	5	H761/TB4 (-2B, GND)	
	6	H761/TB4 (-2B)	
	7	H761/TB2 (-5.2A, GND)	
	8	H761/TB2 (-5.2A)	
	9	H761/TB3 (-5.2E)	
	10	H761/TB3 (-5.2E, GND)	
	11	H761/TB3 (-5.2F)	
	12	H761/TB3 (-5.2F, GND)	
	13	H761/TB3 (-5.2H)	
	14	H761/TB3 (-5.2H, GND)	
	15	H761/TB3 (-5.2J)	
	16	H761/TB3 (-5.2J, GND)	
	17	H761/TB4 (-2A)	
	18	H761/TB4 (-2A, GND)	
	19	H761/TB2 (-5.2B)	
	20	H761/TB2 (-5.2B, GND)	
	21	H761/TB2 (-5.2C)	
	22	H761/TB2 (-5.2C, GND)	
	23	H761/TB2 (-5.2D)	
	24	H761/TB2 (-5.2D, GND)	
	25	H761/TB1 (-5.2K)	
	26	H761/TB1 (-5.2K, GND)	
	27	CPU #3/PT32-L	
	28	CPU #3/PT31-L	
	29	CPU #3/PT30-L	
	30	CPU #3/PT29-L	
	31	CPU #3/PT28-L	
	32	CPU #3/PT27-L	
	33	CPU #3/PT26-L	
	34	CPU #3/PT25-L	
	35	CPU #3/PT24-L	
	36	CPU #3/PT23-L	
	37	CPU #3/PT22-L	
	38	CPU #3/PT21-L	
	39	CPU #2/PT20-L	
	40	CPU #2/PT19-L	
	41	CPU #2/PT18-L	
	42	CPU #2/PT17-L	
	43	CPU #2/PT16-L	
	44	CPU #2/PT15-L	
	45	CPU #2/PT14-L	
	46	CPU #2/PT13-L	
	47	CPU #2/PT12-L	
	48	CPU #2/PT11-L	
	49	CPU #2/PT10-L	
	50	CPU #2/PT9-L	
	51	CPU #1/PT8-L	
	52	CPU #1/PT7-L	
	53	CPU #1/PT6-L	
	54	CPU #1/PT5-L	
	55	CPU #1/PT4-L	
	56	CPU #1/PT3-L	
	57	CPU #1/PT2-L	
40	60	CPU #1/PT1-L	

ITEM NO	HARNESS TERM. POINT	CONNECTION	WITH
41	P2	H761/J2	
	P3	H761/J3	
	27	CPU #3/ST11	
	30	CPU #3/ST12	
	28	CPU #3/ST10	
	29	CPU #3/ST9	
	31	CPU #3/ST8	
	32	CPU #3/ST6	
	33	CPU #3/ST7	
	34	CPU #3/ST5	
	35	CPU #3/ST4	
	36	CPU #3/ST3	
	38	CPU #2/ST2	
	37	CPU #2/PT17-U	
	39	CPU #2/ST1	
	40	CPU #2/PT16-U	
	41	CPU #1/ST19	
	42	CPU #1/ST18	
	43	CPU #1/ST17	
	44	CPU #1/ST16	
	45	CPU #1/ST15	
	46	CPU #2/ST14	
	47	CPU #2/PT15-L	
	48	CPU #2/ST13	
	49	CPU #2/PT17-L	
	50	H742 #2/H744 (+5L), J1	
	51	H742 #2/H744 (+5C), J1	
	52	H742 #3/H744 (-5), J1	
	41	H742 #3/H744 (+5B), J1	
	42	H742 #3/H745 (-15), J1	
		H742 #3/H770 (+15), J1	
		CPU/VANE SWITCH(J1-2)	ITEM #45
		SEE NOTE 3	
		H761/J4-2	
		H761/J6-3	
		CPU #1/PT6-L	
		CPU #1/PT5-L	
		CPU #1/CT1	
		CPU #1/CT2	
		CPU #1/PT5-U	
		CPU #1/PT6-U	
		RH20/PT26-U	
		RH20/PT25-U	
		RH20/PT24-U	
		RH20/PT23-U	
		RH20/PT22-U	
		RH20/PT21-U	
		RH20/PT20-U	
		RH20/PT19-U	
		RH20/PT18-U	
		RH20/PT17-U	
		RH20/PT16-U	
		RH20/PT15-U	
		DTE20/PT14-U	
		DTE20/PT13-U	
		DTE20/PT12-U	
		DTE20/PT8-U	
		DMA20/PT7-U	
		DMA20/PT6-U	
		DMA20/PT5-U	
		DMA20/PT4-U	
		DMA20/PT3-U	
		DMA20/PT2-U	
		DMA20/PT1-U	
		DMA20/PT1-L	
		DMA20/PT2-L	
		DMA20/PT5-U	
		DMA20/PT4-U	

ITEM NO	HARNESS TERM. POINT	CONNECTION	WITH
42	51	DMA20/PT5-L	
	53	DMA20/PT6-L	
	52	DMA20/PT7-L	
	54	DMA20/PT8-L	
	55	DTE20/PT9-L	
	56	DTE20/PT10-L	
	57	DTE20/PT11-L	
	58	DTE20/PT12-L	
	59	H742 #1/H744 (+5K), J1	
	42	H742 #1/H744 (+5J), J1	
	60	H742 #1/H744 (+5H), J1	
	44	H742 #1/H744 (+5F), J1	
		H742 #2/H744 (+5E), J1	
		H742 #2/H744 (+5D), J1	
		H742 #2/H744 (+5L), J1	
		H742 #2/H744 (+5C), J1	
		H742 #3/H744 (-5), J1	
		H742 #3/H744 (+5B), J1	
		H742 #3/H744 (+5A), J1	
		H742 #3/H745 (-15), J1	
		H742 #3/H770 (+15), J1	
		CPU/VANE SWITCH(J1-2)	ITEM #45
		SEE NOTE 4	
		H761/J4-2	
		H761/J6-3	
		CPU #1/PT6-L	
		CPU #1/PT5-L	
		CPU #1/CT1	
		CPU #1/CT2	
		CPU #1/PT5-U	
		CPU #1/PT6-U	
		RH20/PT26-U	
		RH20/PT25-U	
		RH20/PT24-U	
		RH20/PT23-U	
		RH20/PT22-U	
		RH20/PT21-U	
		RH20/PT20-U	
		RH20/PT19-U	
		RH20/PT18-U	
		RH20/PT17-U	
		RH20/PT16-U	
		RH20/PT15-U	
		DTE20/PT14-U	
		DTE20/PT13-U	
		DTE20/PT12-U	
		DTE20/PT8-U	
		DMA20/PT7-U	
		DMA20/PT6-U	
		DMA20/PT5-U	
		DMA20/PT4-U	
		DMA20/PT3-U	
		DMA20/PT2-U	
		DMA20/PT1-U	
		DMA20/PT1-L	
		DMA20/PT2-L	
		DMA20/PT5-U	
		DMA20/PT4-U	

D  
C  
B  
A

D  
C  
B  
A

REVISIONS		
CHK	CHANGE NO.	REV.

TITLE ARITHMETIC PROCESSOR  
 SIZE CODE D UA  
 NUMBER KL10-0-0  
 SCALE - / - SHEET 8 OF 15  
 DIST. REV.

8 7 6 5 4 3 2 1

"THIS DRAWING AND SPECIFICATIONS HEREIN ARE THE PROPERTY OF DIGITAL EQUIPMENT CORPORATION AND SHALL NOT BE REPRODUCED OR COPIED OR USED IN WHOLE OR IN PART AS THE BASIS FOR THE MANUFACTURE OR SALE OF ITEMS WITHOUT WRITTEN PERMISSION. COPYRIGHT © 1975 DIGITAL EQUIPMENT CORPORATION"

HARNESS CONNECTION CHART

ITEM NO	HARNESS TERM. POINT CONNECTION	CONNECTION	WITH
44	86	DMA20/PT3-U	
	87	DMA20/PT2-U	
	88	DMA20/PT1-U	
	89	DMA20/PT1-L	
	90	DMA20/PT2-L	
	91	DMA20/PT6-L	
	92A	DMA20/PT5-L	
	92	DMA20/PT5-L	
	92B	DMA20/PT5-L	
	93	DMA20/PT8-L	
	96	DMA20/PT8-L	
	94	DMA20/PT7-L	
	95	DMA20/PT7-L	
	97	DTE20/PT10-L	
	98	DTE20/PT9-L	
	99	DTE20/PT11-L	
	100	DTE20/PT12-L	
	101	DTE20/PT13-L	
	102	DTE20/PT14-L	
	103	RH20/PT15-L	
	104	RH20/PT16-L	
	105	RH20/PT17-L	
	106	RH20/PT18-L	
	107	RH20/PT19-L	
	108	RH20/PT20-L	
	109	RH20/PT21-L	
	110	RH20/PT22-L	
	111	RH20/PT23-L	
	112	RH20/PT24-L	
	113	RH20/PT25-L	
44	114	RH20/PT26-L	
43	P1	863/J6	
	P2	863/J5	
	J1	CPU/DOOR SW.	
	P3	CPU/AIR FLOW SW. (J1)	
	P4	H761/J8	
	J2	I/O DOOR SW.	
	P5	I/O VANE SW. (J1)	
	29	CPU #1/CT2	
	30	CPU #1/CT1	
	31	CPU #1/CT4	
	32	CPU #1/CT3	
43	20	SEE NOTES 3 & 4	
102	P1	11/40-BM873 (J1)	
	P2	MARGIN CHECK PANEL (ITEM #9) J2	
	P3	MARGIN CHECK PANEL (ITEM #9) J1	
	P4	MARGIN CHECK PANEL (ITEM #9) J5	
	P5	MARGIN CHECK PANEL (ITEM #9) J3	
	P6	MARGIN CHECK PANEL (ITEM #9) J8	
	P7	MARGIN CHECK PANEL (ITEM #9) J9	
	P8	863/J7	
	P9	863/J13	
	P10	783C	
	P11	H732	
	P12	DTE20/J1	
	J1	CAB #3 - ITEM #5	
	J2	CAB #1 - ITEM #5	
	29	TU56/+5V	
102	30	TU56/GND	

HARNESS CONNECTION CHART

ITEM NO	HARNESS TERM. POINT CONNECTION	CONNECTION	WITH
6 OR 7	5	863 FL1-N	
	4	863 FRAME GND-2	
	3	863 FL1-C	
	2	863 FL1-B	
6 OR 7	1	863 FL1-A	
23 OR 24	5	CAP BOX -5	
	6	CAP BOX -6	
	7	CAP BOX -7	
	8	CAP BOX -8	
	9	CAP BOX -9	
	10	CAP BOX -10	
23 OR 24	11	CAP BOX -11	
47	11	H742 #3/H770, J1-7	
	12	H742 #3/H770, J1-8	
	13	H742 #3/H745, J1-6	
	14	H742 #3/H745, J1-8	
	15	H742 #3/H744, J1-6	
	16	H742 #3/H744, J1-7	
	17	H742 #3/H744, J1-6	
	18	H742 #3/H744, J1-7	
	19	H742 #3/H744, J1-6	
	20	H742 #3/H744, J1-7	
		H742 #3 J2	P2
47		H742 #3 J3	P3
46	9	H742 #2/H744, J1-6	
	10	H742 #2/H744, J1-7	
	11	H742 #2/H744, J1-6	
	12	H742 #2/H744, J1-7	
	13	H742 #1/H744, J1-6	
	14	H742 #1/H744, J1-7	
	15	H742 #1/H744, J1-6	
	16	H742 #1/H744, J1-7	
		H742 #1 J2	P2
46		H742 #1 J3	P3

KL10-BA & BB ONLY

WIRE TABLE

ITEM NO	DESCRIPTION	FROM		TO		REMARKS
		AWG	COLOR	CONNECTION	WITH	
125	2	BLK	CAP BOX -12	127	H761-TB4-2-4	
			CAP BOX -13		H761-TB3-2-4	
			CAP BOX -14		H761-TB2-2-4	
125		BLK	CAP BOX -15	127	H761-TB1-2-4	
128		BLU	CAP BOX -1	126	H761-PB-2	SEE VIEW L-L
			CAP BOX -2		H761-PB-2	
			CAP BOX -3		H761-PB-1	
128	2	BLU	CAP BOX -4	126	H761-PB-1	127 SEE VIEW L-L
137	14	BLK	MARGIN CHECK GRD-1	138	CAB RAIL (GRD)	138 SEE SECTION B-B
115	18 TWP	WHT	H760/J1-1	146	H761/J1-2	146
		RED	H760/J1-2	146	H761/J1-1	146
115	18 TWP	WHT	H760/J1-7	146	CAB #2 TB2-3	144 SEE VIEW P-P
		RED	H760/J1-3	146	CAB #2 TB2-2	144
*	18	BLK	CAB #2 TB2-1	152	CAB #2 F3-1	
	18	BLK	CAB #2 TB2-2	152	CAB #2 F4-1	
*	18	BLK	CAB #2 TB2-3	152	CAB #2 F3-2	
	18	BLK	CAB #2 TB2-4	152	CAB #2 F4-2	
115	18 TWP	WHT	H742 #3 P2-6	145	CAB #1 TB1-2	144
		RED	H742 #3 P2-5	145	CAB #1 TB1-3	144
*	18	BLK	CAB #1 TB1-1	152	CAB #1 F1-1	
	18	BLK	CAB #1 TB1-2	152	CAB #1 F2-1	
*	18	BLK	CAB #1 TB1-3	152	CAB #1 F1-2	
	18	BLK	CAB #1 TB1-4	152	CAB #1 F2-2	SEE VIEW P-P
115	18 TWP	WHT	H760/J1-4	146	SEE DETAIL R	145
		RED	H760/J1-5	146	SEE DETAIL R	145
115	18 TWP	WHT	H742 #2/P2-6	145	SEE DETAIL S	145
		RED	H742 #2/P2-5	145	SEE DETAIL S	145
117	14 TWT	BLK	H760-YEL(RTN)	93	H761-YEL(RTN)	93
		GRN	H760-GRN(-5V)	93	H761-GRN(-5V)	93
		ORN	H760-ORN(+5V)	93	H761-ORN(+5V)	93

\* WIRES FROM FANS, PART OF CABINET ASSY (ITEM #1)

REVISIONS		
CHK	CHANGE NO.	REV.

TITLE	ARITHMETIC PROCESSOR	SIZE CODE	DUA	NUMBER	KL10-0-0	REV.	
SCALE		SHEET	9 OF 15	DIST.			



"THIS DRAWING AND SPECIFICATIONS, HEREIN, ARE THE PROPERTY OF DIGITAL EQUIPMENT CORPORATION AND SHALL NOT BE REPRODUCED OR COPIED OR USED IN WHOLE OR IN PART AS THE BASIS FOR THE MANUFACTURE OR SALE OF ITEMS WITHOUT WRITTEN PERMISSION. COPYRIGHT © 1975 DIGITAL EQUIPMENT CORPORATION"

CABLE CONNECTION CHART					
ITEM NO	FROM		TO		REMARKS
	UNIT	LOCATION	UNIT	LOCATION	
131	11/40/RH11-AB	CD04	CABLE CONVERSION PLATE ASSY (ITEM #13)	SLOT A	KLIO BA&BB ONLY
131	11/40/RH11-AB	CD05	CABLE CONVERSION PLATE ASSY (ITEM #13)	SLOT B	
131	11/40/RH11-AB	CD06	CABLE CONVERSION PLATE ASSY (ITEM #13)	SLOT C	
132	11/40/DD11-B	AB04	DTE20 LOGIC ASSY (ITEM #33)	HJ05	
142	TC11 LOGIC ASSY	AB01	DTE20 LOGIC ASSY (ITEM #33)	HJ06	
133	CPU LOGIC ASSY (ITEM #31)	AB01	RH20/DTE20 LOGIC ASSY (ITEM #32)	AB37	
134	CPU LOGIC ASSY (ITEM #31)	CD01	RH20/DTE20 LOGIC ASSY (ITEM #32)	CD37	
134	CPU LOGIC ASSY (ITEM #31)	EF01	RH20/DTE20 LOGIC ASSY (ITEM #32)	EF37	
96	RH20/DTE20 LOGIC ASSY (ITEM #32)	AB01	DMA20 LOGIC ASSY (ITEM #36)	AB16	
96	RH20/DTE20 LOGIC ASSY (ITEM #32)	CD01	DMA20 LOGIC ASSY (ITEM #36)	CD16	
161	CPU LOGIC ASSY (ITEM #31)	AB02	DMA20 LOGIC ASSY (ITEM #36)	AB01	
161	CPU LOGIC ASSY (ITEM #31)	CD02	DMA20 LOGIC ASSY (ITEM #36)	CD02	
135	863	J8	863	J2	
135	863	J3	861	J1	
136	CABLE CONVERSION PLATE ASSY (ITEM #13)	J1	11/40	CONN (7009360)	
49 OR 51	H742 #1	---	863	J27	
49 OR 51	H742 #2	---	863	J25	
49 OR 52	H742 #3	---	863	J26	

CABLE CONNECTION CHART					
ITEM NO	FROM		TO		REMARKS
	UNIT	LOCATION	UNIT	LOCATION	
131	11/40/RH11-AB	CD04	CABLE CONVERSION PLATE ASSY (ITEM #13)	SLOT A	KLIO AA&AB ONLY
131	11/40/RH11-AB	CD05	CABLE CONVERSION PLATE ASSY (ITEM #13)	SLOT B	
131	11/40/RH11-AB	CD06	CABLE CONVERSION PLATE ASSY (ITEM #13)	SLOT C	
132	11/40/DD11-B	AB04	DTE20 LOGIC ASSY (ITEM #33)	HJ04	
142	TC11 LOGIC ASSY	AB01	DTE20 LOGIC ASSY (ITEM #33)	HJ05	
95	CPU LOGIC ASSY (ITEM #31)	AB01	DTE20 LOGIC ASSY (ITEM #33)	AB10	
94	CPU LOGIC ASSY (ITEM #31)	CD01	DTE20 LOGIC ASSY (ITEM #33)	CD10	
94	CPU LOGIC ASSY (ITEM #31)	EF01	DTE20 LOGIC ASSY (ITEM #33)	EF10	
96	DTE20 LOGIC ASSY (ITEM #33)	AB01	DMA20 LOGIC ASSY (ITEM #36)	AB16	
96	DTE20 LOGIC ASSY (ITEM #33)	CD01	DMA20 LOGIC ASSY (ITEM #36)	CD01	
135	863	J8	863	J2	
135	863	J3	861	J1	
136	CABLE CONVERSION PLATE ASSY (ITEM #13)	J1	11/40	CONN (7009360)	
161	CPU LOGIC ASSY (ITEM #31)	AB02	DMA20 LOGIC ASSY (ITEM #36)	AB01	
161	CPU LOGIC ASSY (ITEM #31)	CD02	DMA20 LOGIC ASSY (ITEM #36)	CD02	
49 OR 51	H742 #2	---	863	J25	
49 OR 52	H742 #3	---	863	J26	

REVISIONS		
CHK	CHANGE NO.	REV.

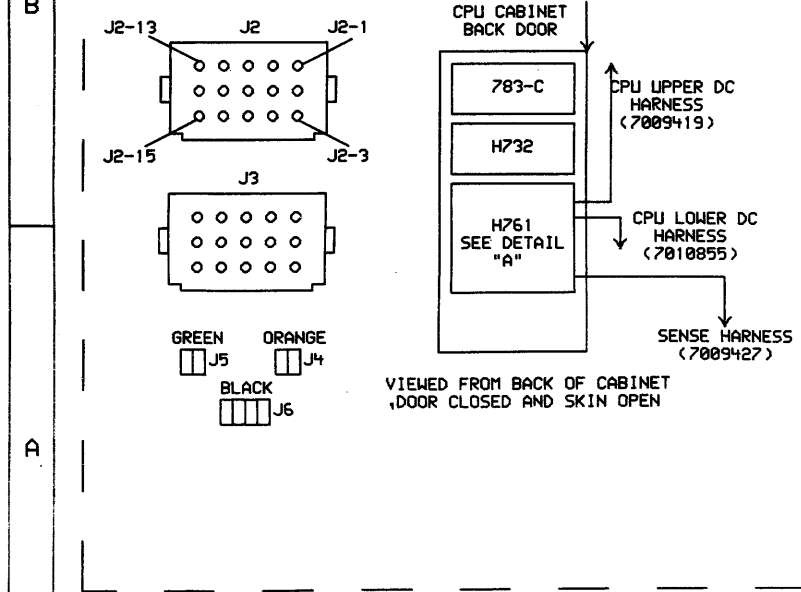
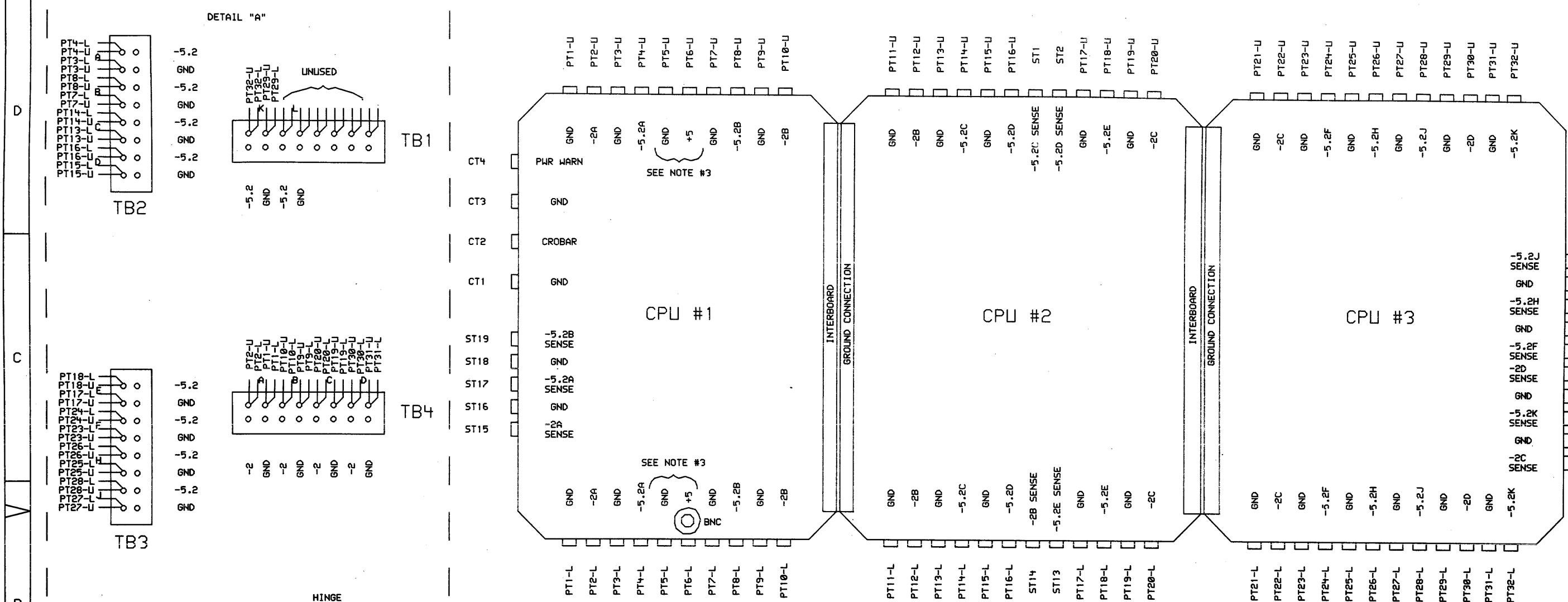
TITLE	ARITHMETIC PROCESSOR	SIZE CODE	DUA	NUMBER	KLIO-0-0	REV.	
SCALE	---	SHEET	10 OF 15	DIST.			

D  
C  
B  
A

D  
C  
B  
A

REV. NUMBER  
DUA KLIO-0-0

8 7 6 5 4 3 2 1



**NOTES:**

- "PT#-U" REPRESENTS UPPER "POWER TABS" ON CPU BACKPLANE AND "-L" NUMBERS REPRESENT TABS ON BOTTOM OF BACKPLANE.
- "ST#" REPRESENTS "SENSE TABS" FOR REMOTE SENSING PURPOSES. CONNECTIONS ARE MADE FROM J2 AND J3 OF H761 TO "ST#" TABS. FROM "ST#" TABS ETCH COMPLETES PATH TO PROPER REMOTE SENSING PIN ON BACKPLANE. WIRE AND ETCH AS BELOW:
  - ETCH FROM "ST#" TABS TO REMOTE SENSE PIN.
- "CT" REPRESENTS "CONTROL TABS", SIGNALS POWER WARN AND CROBAR ARE GENERATED FROM 863 POWER CONTROL AND TERMINATE AT CT2 AND CT4 RESPECTIVELY. ETCH FROM "CT" TABS TO PINS. POWER WARN - CT4 TO A04J1 CROBAR - CT2 TO A06J2, B0651, C0251, C0351, AND F01J2
- DRAWING NOT TO SCALE
- VIEWED FROM PIN SIDE

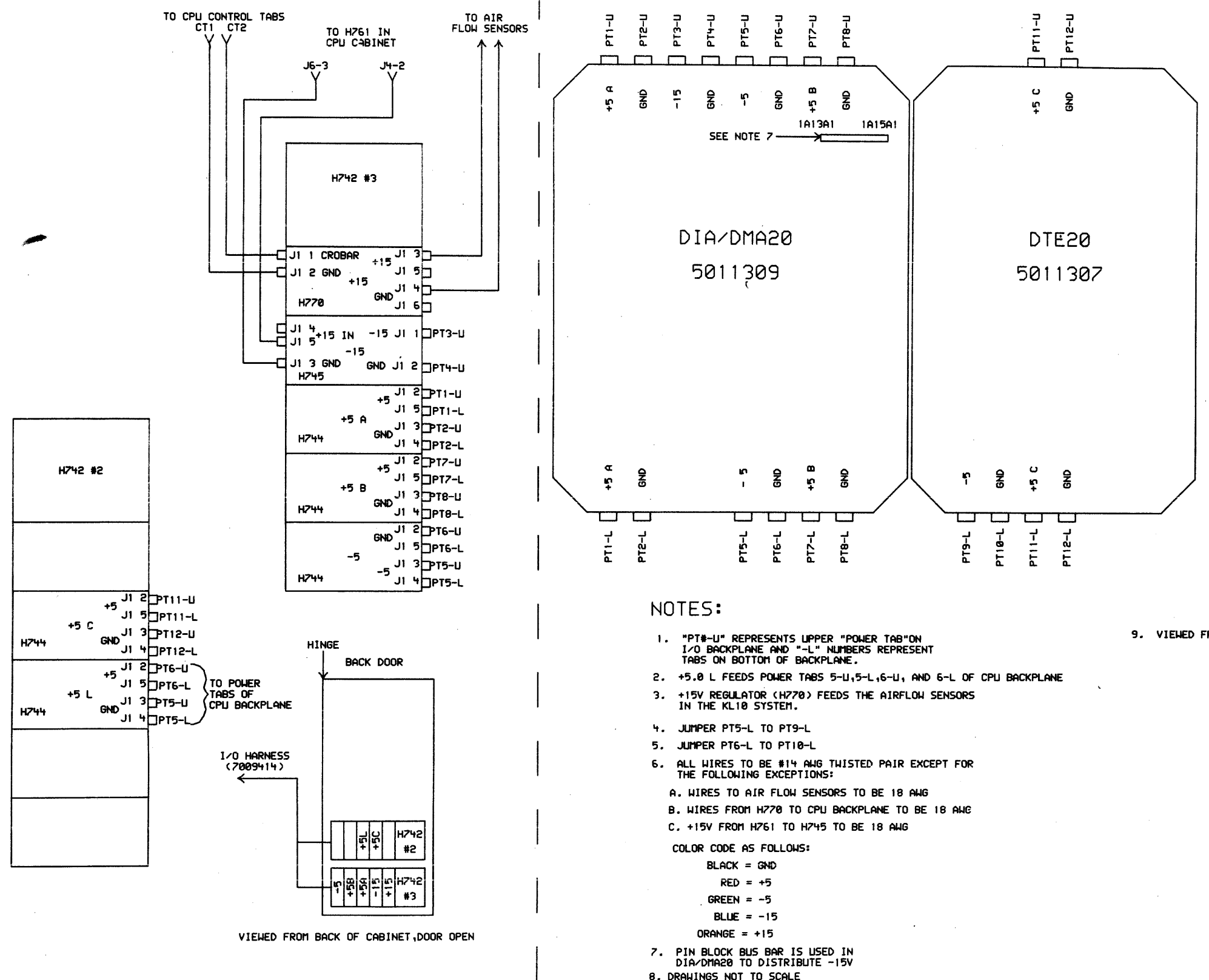
**TWISTED PAIR FROM H761 (J2 & J3) TO "ST#" TABS**

-5.2A	+SENSE	J2-2 TO ST17
-5.2A	+SENSE	J2-1 TO ST16
-5.2B	+SENSE	J2-4 TO ST19
-5.2B	+SENSE	J2-3 TO ST18
-5.2C	+SENSE	J2-6 TO ST11
-5.2D	+SENSE	J2-5 TO PT15-U
-5.2D	+SENSE	J2-8 TO ST2
-5.2E	+SENSE	J2-7 TO PT17-U
-5.2E	+SENSE	J2-10 TO ST13
-5.2F	+SENSE	J2-9 TO PT17-L
-5.2F	+SENSE	J2-12 TO ST7
-5.2H	+SENSE	J2-11 TO ST6
-5.2H	+SENSE	J2-14 TO ST5
-5.2J	+SENSE	J2-13 TO ST4
-5.2J	+SENSE	J3-2 TO ST3
-5.2K	+SENSE	J3-1 TO ST4
-5.2K	+SENSE	J3-4 TO ST18
-2A	+SENSE	J3-3 TO ST11
-2A	+SENSE	J3-8 TO ST15
-2B	+SENSE	J3-7 TO ST16
-2B	+SENSE	J3-10 TO ST14
-2C	+SENSE	J3-9 TO PT15-L
-2C	+SENSE	J3-12 TO ST12
-2D	+SENSE	J3-11 TO ST11
-2D	+SENSE	J3-14 TO ST8
-2D	+SENSE	J3-13 TO ST9

"THIS DRAWING AND SPECIFICATIONS, HEREIN, ARE THE PROPERTY OF DIGITAL EQUIPMENT CORPORATION AND SHALL NOT BE REPRODUCED OR COPIED OR USED IN WHOLE OR IN PART AS THE BASIS FOR THE MANUFACTURE OR SALE OF ITEMS WITH OUT WRITTEN PERMISSION. COPYRIGHT © 1975, DIGITAL EQUIPMENT CORPORATION"

REVISIONS		
CHK	CHANGE NO.	REV

<b>digital</b>	DRN M. P. ...	DATE 28-11-75	ENG.	DATE 7-75	TITLE: ARITHMETIC PROCESSOR
	CHK ...	DATE 29-MAY-75	BOARD LOCATION: SHEET 11 OF 15	SIZE CODE D UA	NUMBER KL10-0-0
FIRST USED ON OPTION/MODEL: KL10		NEXT HIGHER ASSEMBLY: B-DD-KL10-0		REV.	



NOTES:

1. "PT#-U" REPRESENTS UPPER "POWER TAB" ON I/O BACKPLANE AND "-L" NUMBERS REPRESENT TABS ON BOTTOM OF BACKPLANE.
2. +5.0 L FEEDS POWER TABS 5-U,5-L,6-U, AND 6-L OF CPU BACKPLANE
3. +15V REGULATOR (H770) FEEDS THE AIRFLOW SENSORS IN THE KL10 SYSTEM.
4. JUMPER PT5-L TO PT9-L
5. JUMPER PT6-L TO PT10-L
6. ALL WIRES TO BE #14 AWG TWISTED PAIR EXCEPT FOR THE FOLLOWING EXCEPTIONS:
  - A. WIRES TO AIR FLOW SENSORS TO BE 18 AWG
  - B. WIRES FROM H770 TO CPU BACKPLANE TO BE 18 AWG
  - C. +15V FROM H761 TO H745 TO BE 18 AWG
7. PIN BLOCK BUS BAR IS USED IN DIA/DMA20 TO DISTRIBUTE -15V
8. DRAWINGS NOT TO SCALE

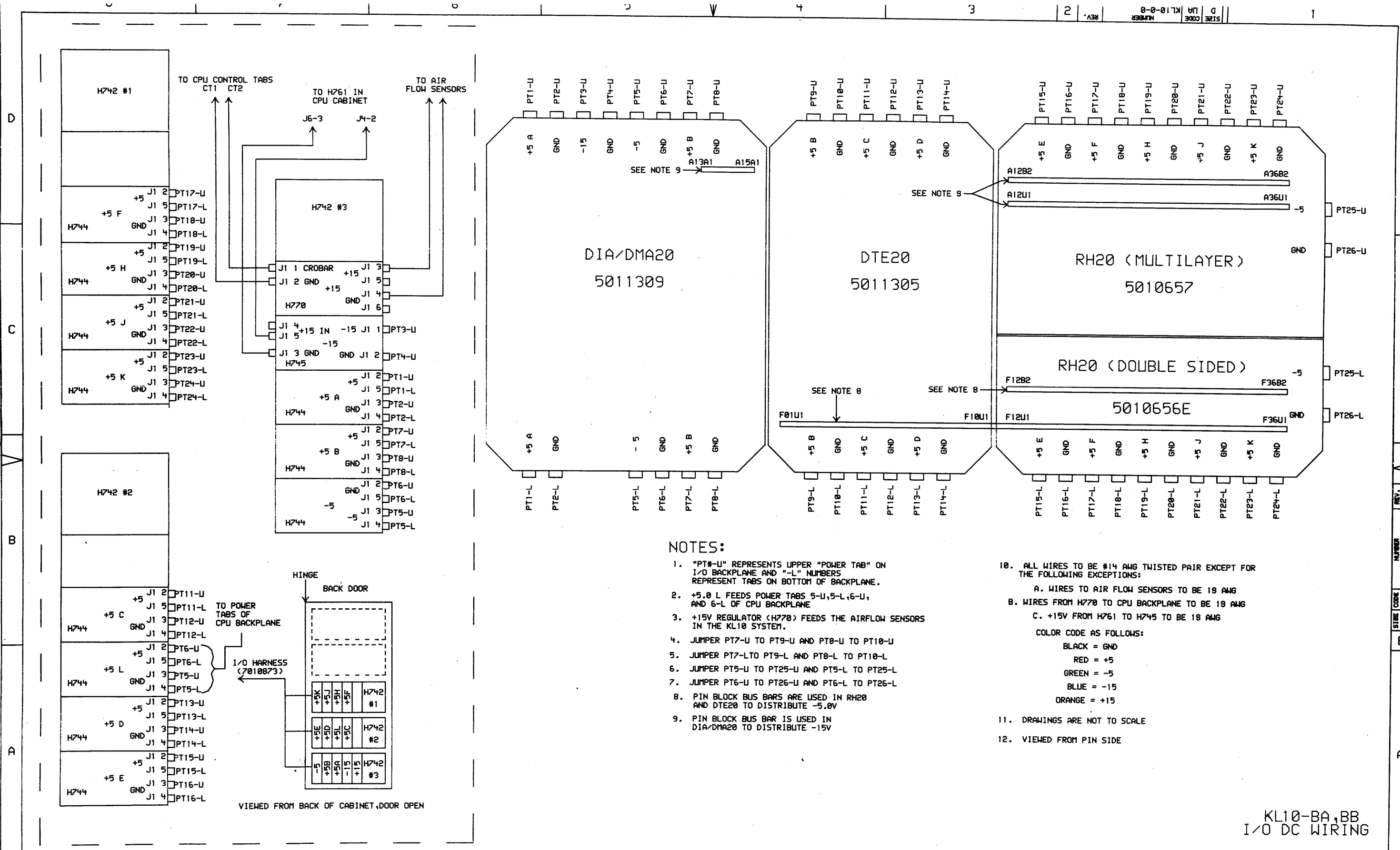
9. VIEWED FROM PIN SIDE

KL10-AA,AB  
I/O DC WIRING

"THIS DRAWING AND SPECIFICATIONS, HEREIN, ARE THE PROPERTY OF DIGITAL EQUIPMENT CORPORATION AND SHALL NOT BE REPRODUCED OR COPIED OR USED IN WHOLE OR IN PART AS THE BASIS FOR THE MANUFACTURE OR SALE OF ITEMS WITHOUT WRITTEN PERMISSION.  
COPYRIGHT © 1975, DIGITAL EQUIPMENT CORPORATION"

REVISIONS	
CHK	CHANGE NO. REV

digital	DATE	ENG.	DATE	TITLE:
	83-APR-75			ARITHMETIC PROCESSOR
1010004,333	29-MAY-75	10:52	12	OF 15
FIRST USED ON OPTION/MODEL: KL10			8-DD-KL10-0	REV.



**NOTES:**

- "PT#-U" REPRESENTS UPPER "POWER TAB" ON I/O BACKPLANE AND "-L" NUMBERS REPRESENT TABS ON BOTTOM OF BACKPLANE.
- +5, 0 L FEEDS POWER TABS 5-U, 5-L, 6-U, AND 6-L OF CPU BACKPLANE.
- +15V REGULATOR (H770) FEEDS THE AIRFLOW SENSORS IN THE KL10 SYSTEM.
- JUMPER PT7-U TO PT9-U AND PT8-U TO PT10-U
- JUMPER PT7-L TO PT9-L AND PT8-L TO PT10-L
- JUMPER PT5-U TO PT25-U AND PT5-L TO PT25-L
- JUMPER PT6-U TO PT26-U AND PT6-L TO PT26-L
- PIN BLOCK BUS BARS ARE USED IN RH20 AND DTE20 TO DISTRIBUTE -5.0V
- PIN BLOCK BUS BAR IS USED IN DIA/DMA20 TO DISTRIBUTE -15V
- ALL WIRES TO BE #14 AWG TWISTED PAIR EXCEPT FOR THE FOLLOWING EXCEPTIONS:  
 A. WIRES TO AIR FLOW SENSORS TO BE 18 AWG  
 B. WIRES FROM H770 TO CPU BACKPLANE TO BE 18 AWG  
 C. +15V FROM H761 TO H745 TO BE 18 AWG  
 COLOR CODE AS FOLLOWS:  
 BLACK = GND  
 RED = +5  
 GREEN = -5  
 BLUE = -15  
 ORANGE = +15
- DRAWINGS ARE NOT TO SCALE
- VIEWED FROM PIN SIDE

KL10-BA, BB  
 I/O DC WIRING

"THIS DRAWING AND SPECIFICATIONS, HEREIN, ARE THE PROPERTY OF DIGITAL EQUIPMENT CORPORATION AND SHALL NOT BE REPRODUCED OR COPIED OR USED IN WHOLE OR IN PART AS THE BASIS FOR THE MANUFACTURE OR SALE OF ITEMS WITHOUT WRITTEN PERMISSION.  
 COPYRIGHT © 1975, DIGITAL EQUIPMENT CORPORATION"

REVISIONS	
CHK	CHANGE NO. REV

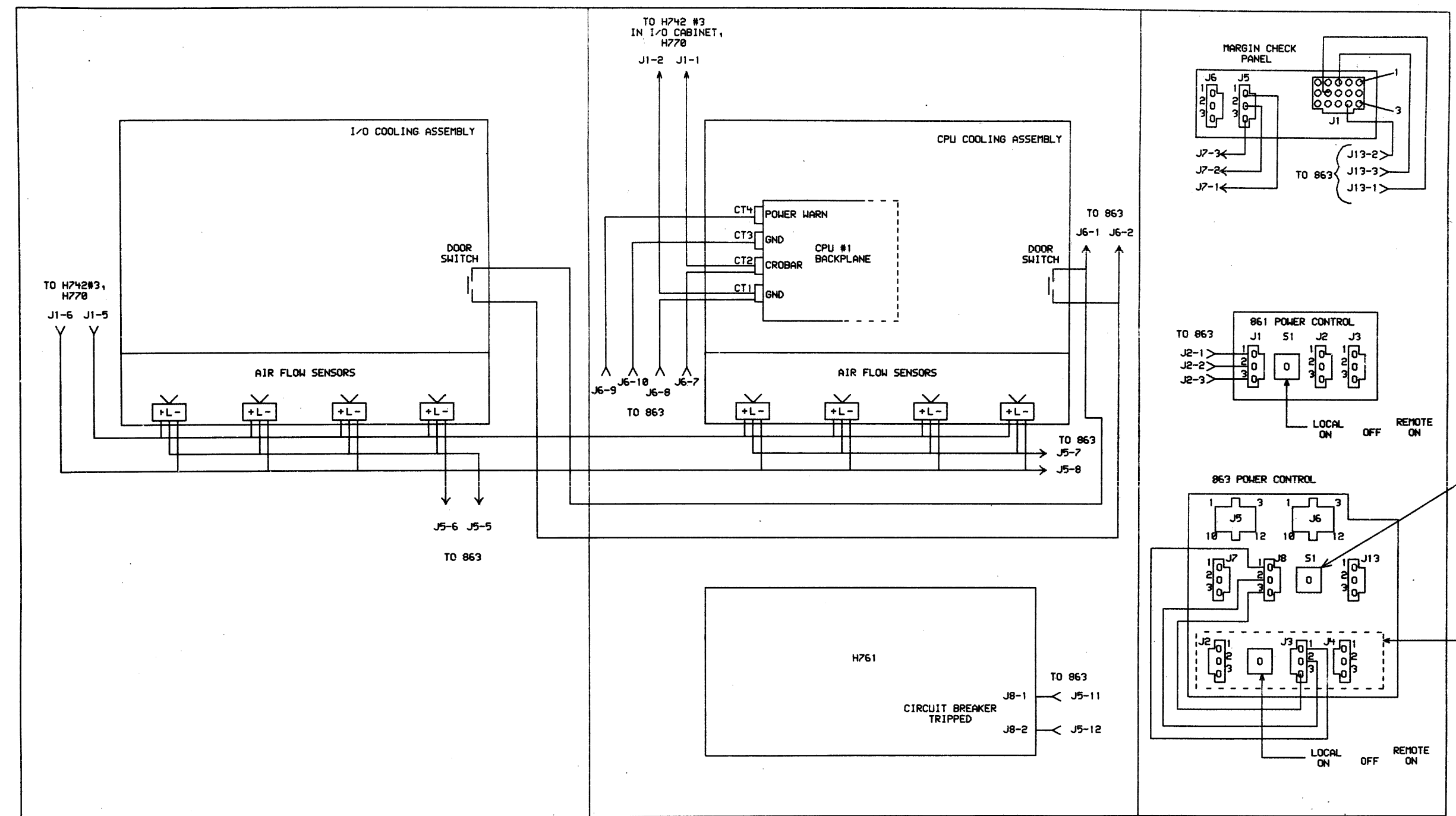
102020(4,333)	29-MAY-75 10:55	DATE	27-SEP-74	ENG.	DATE	17/9/75
FIRST USED ON OPTION MODEL: KL10	NEXT HIGHER ASSEMBLY: B-DD-KL10-0	BOARD LOCATION:	13	OF 15	TITLE:	ARITHMETIC PROCESSOR
SIZE	CODE	NUMBER	REV.			
D	UA	KL10-0-0				

8	7	6	5	4	3	2	1
---	---	---	---	---	---	---	---

I/O CABINET

CPU CABINET

CONSOLE PROCESSOR CABINET



NOTES:

1. VIEWED FROM FRONT.
2. FAULT HARNESS IS 7010874.
3. DRAWING NOT TO SCALE.

KL10-AA, AB, BA, BB  
 FAULT WIRING

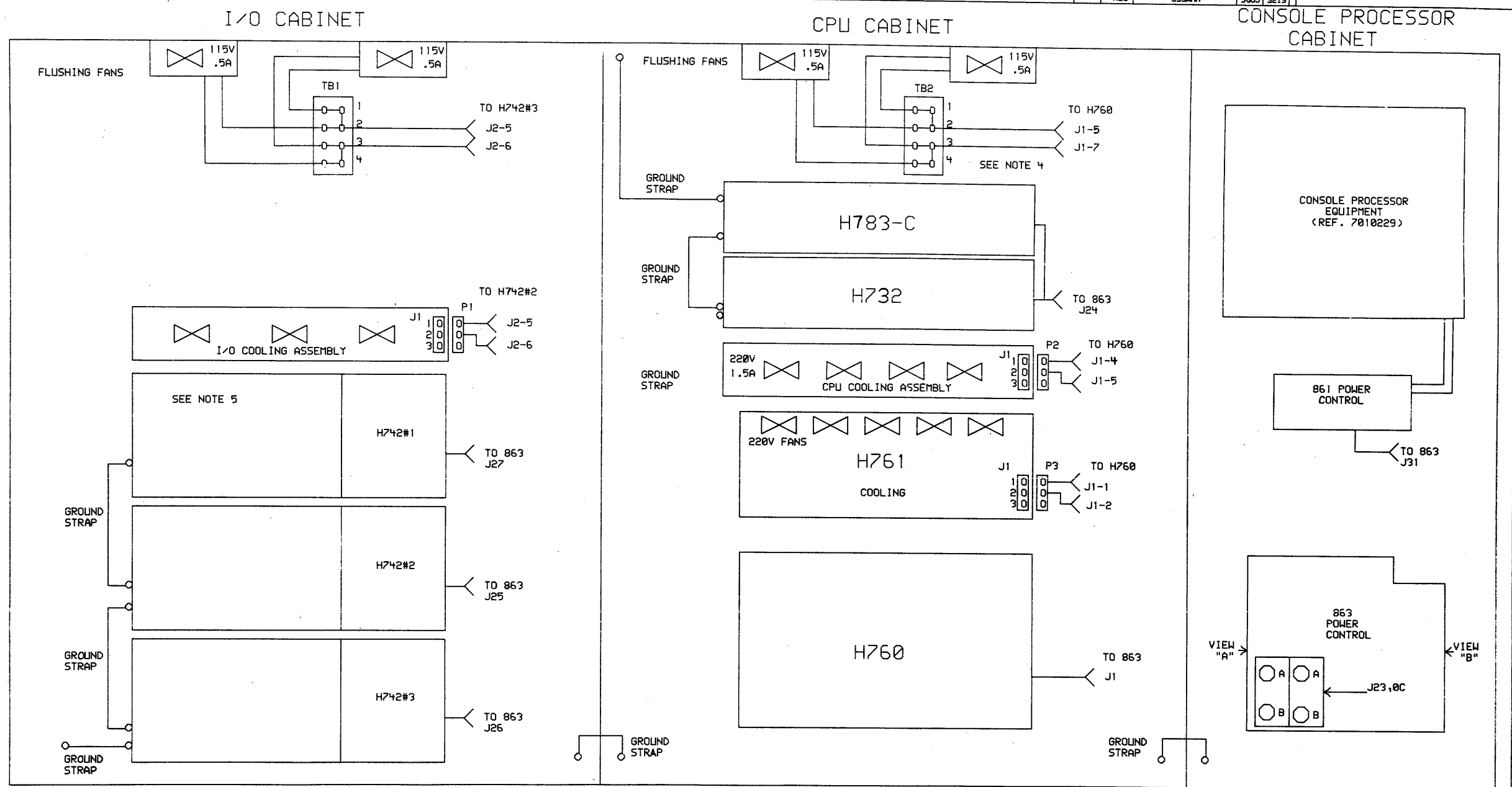
"THIS DRAWING AND SPECIFICATIONS, HEREIN, ARE THE PROPERTY OF DIGITAL EQUIPMENT CORPORATION AND SHALL NOT BE REPRODUCED OR COPIED OR USED IN WHOLE OR IN PART AS THE BASIS FOR THE MANUFACTURE OR SALE OF ITEMS WITHOUT WRITTEN PERMISSION.  
 COPYRIGHT © 1975, DIGITAL EQUIPMENT CORPORATION"

REVISIONS		
CHK	CHANGE NO.	REV

digital	DRN. <i>J. P. Seal</i>	DATE 30-11-75	ENG.	DATE	TITLE:
	CHK'D. <i>J. P. Seal</i>	DATE 12-3-75	BOARD LOCATION:		ARITHMETIC PROCESSOR
EVI000L4,333		129-MAY-75 10:53	NEXT HIGHER ASSEMBLY:		
FIRST USED ON OPTION/MODEL: KL10					

SIZE	CODE	NUMBER	REV.
D	UA	KL10-0-0	1

REV. 1  
 NUMBER KL10-0-0  
 CODE UA  
 SIZE D

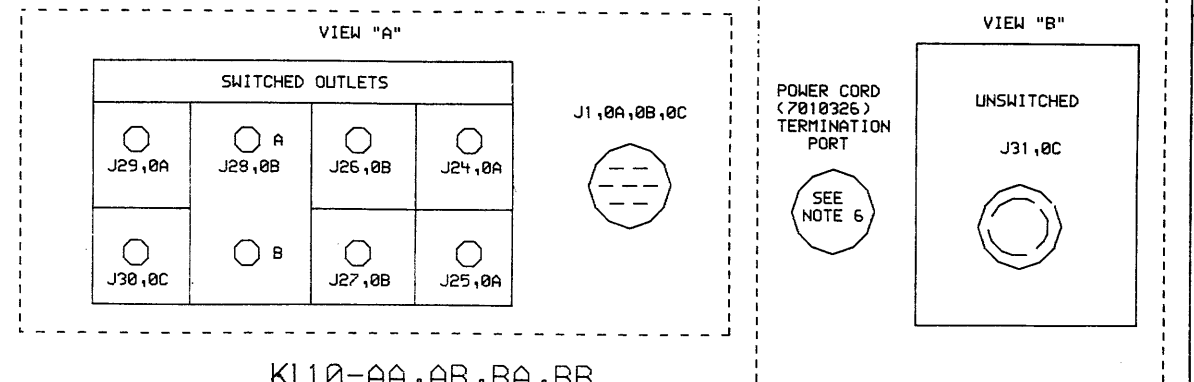


NOTES:

1. COOLING FANS TO BE WIRED WITH RED AND WHITE 18 AWG TWISTED PAIR
2. BELOW DESCRIBES OUTLETS FOR 863 POWER CONTROL:
 

	CURRENT CAPACITY	PHASE	SW
J1	30A	A,B,C	SW
J31	30A	C	UN-SW
J23	15A	C	UN-SW
J24	15A	A	SW
J25	15A	A	SW
J26	15A	B	SW
J27	15A	B	SW
J28	15A	A	SW
J29	15A	C	SW
J30	15A	C	SW
- 3.0 GND STRAPS ARE TO BE USED TO PROVIDE A SOLID GROUND FOR ALL POWER SUPPLIES AND CABINETS
- 3.1 DAISY CHAIN ALL POWER SUPPLIES ON BACK DOORS WITH GROUND STRAPS AND BOTTOM OF ALL DOORS TO BOTTOM OF CABINETS USING CABINET GROUND STUDS
- 3.2 GROUND ALL THREE CABINETS USING CABINET GROUND STUDS AT BOTTOM OF CABINETS
- 4.1 FOR 60 HZ OPERATION (VARIATION KL-10-AA,BA) "A" VERSION POWER SUPPLIES, POWER CONTROLS, FEMALE PWR. CONN. KIT(H874-A) AND 7010326-1 PWR. CORD ASSY MUST BE USED. FANS TO BE WIRED AS SHOWN ABOVE.
- 4.2 FOR 50HZ OPERATION (VARIATIONS KL-10-AB,BB) "B" VERSION POWER SUPPLIES, POWER CONTROLS, FEMALE POWER CONNECTOR KIT (H874-B) AND 7010326-2 POWER CORD ASSEMBLY MUST BE USED. FANS ARE TO BE WIRED IN THE FOLLOWING FASHION:
  - 4.2.1 CPU COOLING ASSEMBLY CONNECT TO J1-2, J1-10 OF H760
  - 4.2.2 H761 COOLING CONNECT TO J1-4, J1-7 OF H760
  - 4.2.3 CPU CABINET FLUSHING FANS CONNECT IN SERIES THEN CONNECT TO J1-3, J1-7 OF H760.
5. H742 #1 USED IN KL-10-BA,BB VARIATIONS ONLY
6. POWER CORD 7010326 IS INTERNALLY TERMINATED TO 863 POWER CONTROLLER LINE FILTER (F1). TERMINATE AS FOLLOWS:
 

POWER CORD TERMINAL	F1
1	A
2	B
3	C
4	GROUND STUD
5	N
7. VIEWED FROM FRONT
8. DRAWING NOT TO SCALE



KL10-AA, AB, BA, BB AC WIRING

\*THIS DRAWING AND SPECIFICATIONS, HEREIN, ARE THE PROPERTY OF DIGITAL EQUIPMENT CORPORATION AND SHALL NOT BE REPRODUCED OR COPIED OR USED IN WHOLE OR IN PART AS THE BASIS FOR THE MANUFACTURE OR SALE OF ITEMS WITHOUT WRITTEN PERMISSION.  
 COPYRIGHT © 1975, DIGITAL EQUIPMENT CORPORATION\*

REVISIONS	
CHK	CHANGE NO. REV

digital	DATE	ENG.	DATE	TITLE:
	31-MAY-75			ARITHMETIC PROCESSOR
	DATE	BOARD LOCATION:		
	12-JUNE-75			
AC1088(4,333)		129-MAY-75 08:59	NEXT HIGHER ASSEMBLY:	
FIRST USED ON OPTION/MODEL: KL10		B-DD-KL10-0		
SIZE	CODE	NUMBER	REV.	
D	UA	KL10-0-0		

This drawing and specifications, herein, are the property of Digital Equipment Corporation and shall not be reproduced or copied or used in whole or in part as the basis for the manufacture or sale of items without written permission. COPYRIGHT © 1975

QUANTITY / VARIATION

ITEM NO.	PART NO.	DESCRIPTION	QUANTITY / VARIATION															
			KL10-AA	KL10-AB	KL10-BA	KL10-BB	KL10-PA	KL10-PC	KL10-PD	KL10-PE	KL10-PF	KL10-PI	KL10-PJ	KL10-PL	KL10-PP	KL10-PR	KL10-PS	KL10-PU
1	E-AD-7008554-5-0	CABINET ASSY (30")	1															
2	D-UA-H952-AC-0	END PANEL H952-A															2	
3	D-UA-H950-BC-0	FULL LENGTH DOOR ASSY (19")															1	
4	D-UA-H955-BA-0	FULL DOOR R.H. 30" H955-B															2	
5	D-AD-7005860-0-0	BRACKET POWER CONN. ASSY	2	2	2	2												
6	D-IA-7010326-1-0	POWER CORD ASSY	1		1													
7	D-IA-7010326-2-0	POWER CORD ASSY		1		1												
8	D-IA-7010514-0-0	CABLE SUPPORT ASSY	1	1	1	1												
9	E-AD-7010233-0-0	MARGIN CHECK PNL ASSY	1	1	1	1												
10	D-UA-H955-LA-0	LOGO PANEL (BLANK) 30"															1	
11	D-UA-H955-LB-0	LOGO PANEL (DEC SYSTEM 10) 30"															1	
12	D-UA-H956-LA-0	LOGO PANEL (BLANK) 19"															1	
13	D-AD-7010311-0-0	CABLE CONVERSION PLATE ASSY	1	1	1	1												
14	D-IA-7010079-0-0	SHORT DOOR 19"															1	
15	D-AD-7009907-0-0	SHORT DOOR ASSY 30"															2	
16	E-UA-863-A-0	POWER CONTROLLER 863-A (60HZ)	1		1													
17	E-UA-863-B-0	POWER CONTROLLER 863-B (50HZ)		1		1												
18	E-AD-7009878-0-0	CAPACITOR BOX ASSY												1	1			
19	D-AD-7009678-0-0	AIR INLET ASSY 19"															1	
20	D-AD-7009679-0-0	AIR INLET ASSY 30"															2	
21	D-AD-7010229-1-0	1080 CONSOLE PROCESSOR (60HZ)	1		1													
22	D-AD-7010229-2-0	1080 CONSOLE PROCESSOR (50HZ)		1		1												
23	E-UA-H760-A-0	RAW POWER SUPPLY (60HZ)												1				
24	E-UA-H760-B-0	RAW POWER SUPPLY (50HZ)													1			
25	E-UA-H761-0-0	REGULATED POWER SUPPLY												1	1			
26	E-UA-H742-A-0	POWER SUPPLY (60HZ)																
27	E-UA-H742-B-0	POWER SUPPLY (50HZ)																
28	E-UA-H744-0-0	5V REGULATOR												5	11			
29	E-CS-H745-0-0	-15V REGULATOR												1	1			
30	E-UA-H770-0-0	15V REGULATOR												1	1			
31	E-AD-7009418-0-0	CPU LOGIC ASSY (KL10-PA)	1	1	1	1	X											
32	E-AD-7010102-0-0	RH20/DTE20 LOGIC ASSY (KL10-PF)			1	1				X								
33	E-AD-7010101-0-0	DTE20 LOGIC ASSY (KL10-PE)	1	1						X								
34	A-DC-7412561-0-0	POWER INTERLOCK DECAL	2	2	2	2												
35	B-DC-5310919-0-0	DECAL, CAUTION LEAKAGE	1	1	1	1												
36	E-AD-7010700-0-0	WIRED ASSY BUS ADAPTER (KL10-PH)	1	1	1	1												
37	D-UA-H732-0-0	POWER SUPPLY H732	1	1	1	1												
38	D-UA-783C-0-0	POWER SUPPLY 783C	1	1	1	1												
39	J-IA-7009419-0-0	HARNESS D.C. TOP (CPU)												1	1			
40	J-IA-7010855-0-0	HARNESS D.C. BOTTOM (CPU)												1	1			
41	J-IA-7009427-0-0	HARNESS SENSE (CPU)												1	1			
42	J-IA-7009414-0-0	HARNESS D.C. I/O (AA, AB)											1					
43	J-IA-7010874-0-0	HARNESS, FAULT INDICATOR											1					

REV.	
CHG. NO.	
CHK	

FIRST USED ON OPTION MODEL

KL10

UNLESS OTHERWISE SPECIFIED

UNLESS OTHERWISE SPECIFIED

DIMENSION IN INCHES

TOLERANCES

DECIMALS FRACTIONS ANGLES

± .005 ± 1/64 ± 0°30'

FINAL SURFACE QUALITY

REMOVE BURRS AND BREAK SHARP CORNERS

MATERIAL

FINISH

DRN	DATE 7-7-75
CHK'D	DATE 7-7-75
ENG.	DATE
PROJ. ENG.	DATE
PROD.	DATE 7-9-75
NEXT DRAWING ASSY.	
B-DD-KL10-0	
SCALE 1/1	SHEET 1 OF 5

digital EQUIPMENT CORPORATION

WAYNARD, MASSACHUSETTS

TITLE

ARITHMETIC PROCESSOR

SIZE CODE NUMBER REV.

C PL KL10-0-0

DIST.



This drawing and specifications, herein, are the property of Digital Equipment Corporation and shall not be reproduced or copied or used in whole or in part as the basis for the manufacture or sale of items without written permission. COPYRIGHT © 1975

QUANTITY/VARIATION

ITEM NO.	PART NO.	DESCRIPTION	QUANTITY/VARIATION															
			KL10-AA	KL10-AB	KL10-BA	KL10-BB	KL10-PA	KL10-PC	KL10-PD	KL10-PE	KL10-PF	KL10-PH	KL10-PJ	KL10-PL	KL10-PP	KL10-PR	KL10-PS	KL10-PU
44	J-1A-7010873-0-0	HARNESS, D.C. I/O (BA,BB)																
45	1209378-00	PIN, CONTACT	3	3	3	3												
46	D-1A-7010877-0-0	HARNESS, AC WIRING NO. 3										1	2					
47	D-1A-7010805-0-0	HARNESS, AC WIRING NO. 1										1	1					
48	9107673-09	POWER CORD (EXTENSION) (60HZ) 9 FT	1	2														
49	9107673-06	POWER CORD (EXTENSION) (60HZ) 6 FT	1	1														
50	D-1A-7414000-0-0	SLIDE, DOOR																
51	D-1A-7011432-3-0	POWER CORD (EXTENSION) (50HZ) 9 FT		1	2													
52	D-1A-7011432-2-0	POWER CORD (EXTENSION) (50HZ) 6 FT		1	1													
53	9006347-8	SCR, SOCKET HD CAP #10-32 X .62 LG	4	4	4	4												
54	D-MD-7410895-0-0	SUPPORT, POWER SUPPLY, RIGHT												1	1			
55	D-MD-7410894-0-0	SUPPORT, POWER SUPPLY, LEFT												1	1			
56	D-1A-7411562-2-0	BRACKET, BEZEL MTG														2		
57	D-1A-7411562-1-0	BRACKET, BEZEL MTG														2		
58	E-MD-7412285-0-0	SHIELD, E.M.I.	1	1	1	1												
59	C-1A-7412213-0-0	SUPPORT, SHORT DOOR (19")															2	
60	D-1A-7412698-2-0	BRACKET, BEZEL MTG (LT)														1		
61	D-1A-7412698-1-0	BRACKET, BEZEL MTG (RT)														1		
62	B-MD-7413656-0-0	STRAIN RELIEF	1	1	1	1												
63	C-MD-7408463-4-0	COVER, TERMINAL	2	2	2	2												
64	A-PL-DTE20-0-0	10/11 INTERFACE MODULE SET	1	1	1	1												
65	9008909-1	SCR, PHL PAN HD #10-32 X .69 LG	4	4	4	4												
66	A-PL-DMA20-0-0	MEM BUS ADAPTER MODULE SET	1	1	1	1												
67	A-PL-DIA20-0-0	I/O BUS ADAPTER MODULE SET	1	1	1	1												
68	A-PL-MCA20-0-0	CACHE (2K WORDS)	1	1	1	1												
69	KL10-PC	CHANNEL CONTROL MODULE SET			1	1												
70	KL10-PD	TERMINATOR MODULE SET	1	1														
71	KL10-PL	PWR SUPPLY & HARNESS KIT (60HZ)			1	1												
72	KL10-PP	CABINET ASSY W/PWR SUPPLY (60HZ)	1	1														
73	KL10-PR	CABINET ASSY W/PWR SUPPLY (50HZ)		1	1													
74	KL10-PS	COLOR & TRIM GROUP (AA, AB, BA, BB)	1	1	1	1												
75	KL10-PU	DECALS & PWR CORD KIT (50HZ)		2	3													
76	KL10-PJ	POWER SUPPLY & HARNESS KIT (60HZ)	1	1														
77	9007081	CABLE CLAMP .25	8	8	8	8												
78	9007085	CABLE CLAMP .50	15	15	15	15												
79	9006902	STRIP TERMINAL	2	2	2	2												
80	9007867	TIE MOUNT	30	30	30	30												
81	9007033	CABLE TIE	12	12	12	12												
82	A-DC-7409045-2-0	DECAL, VOLTAGE & PHASE	2	2														
83	9007661	SPACER, RD .250 I.D. X .56 LG	2	2	2	2												
84	9006588	TINNERMAN NUT #10-32	85	85	83	83												
85	9009420-2	SCR, PHL FLAT HD #10-32 X 1.25 LG	2	2	2	2												
86	9006565	NUT KEPS #10-32	26	26	26	26												

REV.	
CHANGE NO.	
CHK	

FIRST USED ON OPT ION/MODEL  
**KL10**

UNLESS OTHERWISE SPECIFIED  
DIMENSION IN INCHES  
TOLERANCES  
DECIMALS FRACTIONS ANGLES  
± .005 ± 1/64 ± 0°30'  
FINAL SURFACE QUALITY  
REMOVE BURRS AND BREAK SHARP CORNERS

MATERIAL  
+ + +

FINISH  
+ + +

DRN	DATE
CHK'D	DATE
ENG.	DATE
PROJ. ENG.	DATE
PROD.	DATE

NEXT HIGHER ASSY.  
**B-DD-KL10-0**

SCALE + + +  
SHEET 2 OF 5

**digital** EQUIPMENT CORPORATION  
MAYNARD, MASSACHUSETTS

TITLE  
**ARITHMETIC PROCESSOR**

SIZE CODE	NUMBER	REV.
<b>CPL</b>	<b>KL10-0-0</b>	
DIST.		

REV. NUMBER  
CPL KL10-0-0  
B

This drawing and specifications, herein, are the property of Digital Equipment Corporation and shall not be reproduced or copied or used in whole or in part as the basis for the manufacture or sale of items without written permission. COPYRIGHT © 1975

QUANTITY/VARIATION

ITEM NO.	PART NO.	DESCRIPTION	QUANTITY/VARIATION															
			KL10-AA	KL10-AB	KL10-BA	KL10-BB	KL10-PA	KL10-PC	KL10-PD	KL10-PE	KL10-PF	KL10-PH	KL10-PJ	KL10-PL	KL10-PP	KL10-PR	KL10-PS	KL10-PU
87	9006074-3	SCR, PHL TRUSS HD #10-32 X .62 LG	13	13	13	13												
88	9006633	WASHER, LOCK INT TOOTH #6	20	20	20	20												
89	9006560	NUT KEPS #6-32	6	6	6	6												
90	9007880	TIE CABLE	450	450	450	450												
91	9006073-3	SCR PHL TRUSS HD #10-32 X .50 LG	88	88	91	91												
92	1209224	LATCH MOLDING	1	1	1	1												
93	9007969-00	CONNECTOR, QUICK CONNECT	6	6	6	6												
94	D-1A-BC20C-3C-0	CONN ASSY SBUS	2	2														
95	D-UA-BC11A-05-0	CABLE ASSY BC11A	1	1	1	1												
96	C-UA-M920-0-0	CONN ASSY INTERNAL BUS	2	2	2	2												
97	C-MD-7413681-2-0	PLATE FILLER	1	1														
98	9006635	WASHER, LOCK INT TOOTH #10	131	131	152	152												
99	9006667	WASHER, FLAT .437 X .187 I.D. X .062 THK	18	18	18	18												
100	9007654-3	SCREW, PHL TRUSS HD #10-32 X 1.62	4	4	4	4												
101	9006024-1	SCR, PHL PAN HD #6-32 X .50	2	2	2	2												
102	J-1A-7011150-0-0	HARNESS, MAINTENANCE	1	1	1	1												
103	B-MD-7411296-0-0	SPACER, HEAT SINK	2	2	2	2												
104	D-MD-7413872-0-0	SCREEN CPU	1	1	1	1												
105	D-MD-7413871-0-0	SCREEN I/O	1	1	1	1												
106	C-MD-7410940-0-0	SUPPORT, PWR SUPPLY LEFT										2	3					
107	C-MD-7410943-0-0	SUPPORT, PWR SUPPLY RIGHT										2	3					
108	9006040-1	SCR, PHL PAN HD #8-32 X .62 LG	4	4	4	4												
109	9006563	NUT KEPS #8-32	7	7	7	7												
110	9008321	STUD, BALL #6-32															4	
111	1209165	MAGNET															2	
112	9006231-9	SCR, HEX HD #10-32 X .50	2	2	2	2												
113	9007651	WASHER LOCK EXT TOOTH #10	2	2	2	2												
114	9008264	TIE MOUNT	150	150	150	150												
115	9107430-29	WIRE #18 AWG STRD TWP (RED/WHT)	A/R	A/R	A/R	A/R												
116	D-MD-7413892-0-0	PLATE, PROTECTION	1	1	1	1												
117	9107766-00	WIRE #14 AWG STRD TWT (YEL/GRN/ORN)	A/R	A/R	A/R	A/R												
118	9006724	WASHER, LKG, EXT TOOTH 1/4	14	14	14	14												
119	9006241-9	SCR, HEX HD 1/4-20 X .50	6	6	6	6												
120	9008415	WASHER, FLAT 1/4	8	8	8	8												
121	9006071-3	SCR, PHL TRUSS HD #10-32 X .38	27	27	45	45												
122	9006376-8	SCR, SKT HD CAP 1/4-20 X 1.25	2	2	2	2												
123	9008887	GROUND STAP 10"	9	9	9	9												
124	9006568	NUT, KEPS 5/16-18	11	11	11	11												
125	9107764-00	WIRE, #2 AWG BLK												A/R	A/R			
126	1211514	LUG, SOLDERLESS (RT ANGLE)													4	4		
127	1211513-00	LUG, SOLDERLESS (STRAIGHT)													12	12		
128	9107764-66	WIRE, #2 AWG BLU												A/R	A/R			
129	9006638	WASHER, LKG, INT TOOTH 5/16	3	3	3	3												

REV.	CHG

FIRST USED ON OPTION MODEL  
KL10

UNLESS OTHERWISE SPECIFIED  
DIMENSION IN INCHES  
TOLERANCES  
DECIMALS ± .005 FRACTIONS ± 1/64 ANGLES ± 0.30  
FINAL SURFACE QUALITY REMOVE BURRS AND BREAK SHARP CORNERS

DRN: [Signature] DATE: 7-7-75  
CHKD: [Signature] DATE: 7-7-75  
ENG: [Signature] DATE: 7-7-75  
PROJ. ENG.: [Signature] DATE: 7-7-75  
PROD: [Signature] DATE: 7-9-75

MATERIAL: +-----+  
FINISH: -----

SCALE: +-----+  
SHEET 3 OF 5

digital EQUIPMENT CORPORATION  
MAYNARD, MASSACHUSETTS

TITLE: ARITHMETIC PROCESSOR

SIZE/CODE: C PL KL10-0-0  
NUMBER: [Blank] REV.: [Blank]

REV. NUMBER C PL KL10-0-0

ITEM NO.	PART NO.	DESCRIPTION	QUANTITY/VARIATION															
			KL10-AA	KL10-AB	KL10-BA	KL10-BB	KL10-PA	KL10-PC	KL10-PD	KL10-PE	KL10-PF	KL10-PH	KL10-PJ	KL10-PL	KL10-PP	KL10-PR	KL10-PS	KL10-PU
130	9007989	SPACER, HEX, ALUM. 1.25 LG #10	4	4	4	4	1	1	1	1	1	1	1	1	1	1	1	1
131	D-UA-BC06R-12	CABLE 1/0, BC06R	3	3	3	3	1	1	1	1	1	1	1	1	1	1	1	1
132	D-UA-BC11A-15	CABLE ASSY (BC11A)	1	1	1	1	1	1	1	1	1	1	1	1	1	1	1	1
133	D-UA-BC11A-02	CABLE ASSY (BC11A)	1	1	1	1	1	1	1	1	1	1	1	1	1	1	1	1
134	D-UA-BC20C-OK	CONN. ASSY, SBUS (BC20C)	1	1	1	1	1	1	1	1	1	1	1	1	1	1	1	1
135	D-UA-7008288-06	CABLE ASSY	2	2	2	2	1	1	1	1	1	1	1	1	1	1	1	1
136	D-UA-BC05F-15	CABLE INTERFACE (BC05F)	1	1	1	1	1	1	1	1	1	1	1	1	1	1	1	1
137	9107370-00	WIRE, INS. STRD #14 AWG BLK	A/R	A/R	A/R	A/R	1	1	1	1	1	1	1	1	1	1	1	1
138	9007928	CONN, SOLDERLESS #14 AWG BLU	2	2	2	2	1	1	1	1	1	1	1	1	1	1	1	1
139	A-DC-5310460-0-0	DECAL H742-B	1	1	1	1	1	1	1	1	1	1	1	1	1	1	1	1
140	1700016-6	POWER CORD (230V 10A) 6 FT	1	1	1	1	1	1	1	1	1	1	1	1	1	1	1	1
141	D-MD-7414026-0-0	PLATE COVER	1	1	1	1	1	1	1	1	1	1	1	1	1	1	1	1
142	D-UA-BC11A-10-0	CABLE ASSY (BC11A)	1	1	1	1	1	1	1	1	1	1	1	1	1	1	1	1
143	1209351-03	CONN PIN HSG	2	2	2	2	1	1	1	1	1	1	1	1	1	1	1	1
144	9007929-01	TERMINAL RING TONGUE	4	4	4	4	1	1	1	1	1	1	1	1	1	1	1	1
145	1209378-02	PIN CONTACT	8	8	8	8	1	1	1	1	1	1	1	1	1	1	1	1
146	1209379-02	SOCKET CONTACT	8	8	8	8	1	1	1	1	1	1	1	1	1	1	1	1
147	A-DC-7409872-2-0	DECAL, POWER HARNESS	2	2	2	2	1	1	1	1	1	1	1	1	1	1	1	1
148	D-UA-H950-P-0	COVER PANEL 5 1/4"	1	1	1	1	1	1	1	1	1	1	1	1	1	1	1	1
149	9006026-1	SCR PHL PAN HD #6-32 X .75	8	8	8	8	1	1	1	1	1	1	1	1	1	1	1	1
150	9006020-1	SCR PHL PAN HD #6-32 X .25	8	8	8	8	1	1	1	1	1	1	1	1	1	1	1	1
151	9006851	SPACER HEX ALUM #6-32 X .50	8	8	8	8	1	1	1	1	1	1	1	1	1	1	1	1
152	9007927-01	TERMINAL RING TONGUE	8	8	8	8	1	1	1	1	1	1	1	1	1	1	1	1
153	M8533	CHANNEL CONTROL	1	1	1	1	1	1	1	1	1	1	1	1	1	1	1	1
154	M8534	CHANNEL CONTROL WORD	1	1	1	1	1	1	1	1	1	1	1	1	1	1	1	1
155	M8535	CHANNEL RAM CONTROL	1	1	1	1	1	1	1	1	1	1	1	1	1	1	1	1
156	M8536	CHANNEL CONTROL LOGIC	1	1	1	1	1	1	1	1	1	1	1	1	1	1	1	1
157	M8549-YA	CHANNEL CONTROL SUBSTITUTE	1	1	1	1	1	1	1	1	1	1	1	1	1	1	1	1
158	M8549-YB	CHANNEL CONTROL WORD SUBSTITUTE	1	1	1	1	1	1	1	1	1	1	1	1	1	1	1	1
159	M8549-YD	CHANNEL CONTROL LOGIC SUBSTITUTE	1	1	1	1	1	1	1	1	1	1	1	1	1	1	1	1
160	9006664	WASHER, FLAT .437 X .218 I.D. X .062 THK	14	14	14	14	1	1	1	1	1	1	1	1	1	1	1	1
161	D-1A-BC20C-6C	CONN ASSY SBUS	2	2	2	2	1	1	1	1	1	1	1	1	1	1	1	1
162	9009350	TIE CABLE	1	1	1	1	1	1	1	1	1	1	1	1	1	1	1	1
163	3612629	LABEL QC STATUS	1	1	1	1	1	1	1	1	1	1	1	1	1	1	1	1

\* SUPPLIED BY CONVERTING H742-A'S TO H742-B'S USING KL10-PU

REV.	
CHG	

FIRST USED ON OPTION/MODEL  
KLI0

UNLESS OTHERWISE SPECIFIED	DRN	DATE
UNLESS OTHERWISE SPECIFIED	CHK'D	DATE
TOLERANCES	ENG	DATE
DECIMALS ± .005	PROJ. ENG.	DATE
FRACTIONS ± 1/64	PROD.	DATE
ANGLES ± 0°30'		
FINAL SURFACE QUALITY		
REMOVE BURRS AND BREAK SHARP CORNERS		
MATERIAL		
FINISH		

**digital** EQUIPMENT CORPORATION  
MAYNARD, MASSACHUSETTS

TITLE  
**ARITHMETIC PROCESSOR**

SIZE CODE: C PL NUMBER: KLI0-0-0 REV.:

SCALE: 4 OF 5 SHEET

REV. NUMBER  
KLI0-0-0  
C PL


"THIS DRAWING AND SPECIFICATIONS, HEREIN, ARE THE PROPERTY OF DIGITAL EQUIPMENT CORPORATION AND SHALL NOT BE REPRODUCED OR COPIED OR USED IN WHOLE OR IN PART AS THE BASIS FOR THE MANUFACTURE OR SALE OF ITEMS WITHOUT WRITTEN PERMISSION. COPYRIGHT © 1975 DIGITAL EQUIPMENT CORPORATION"

### LEGEND

NUMBER	VARIATION
KL1Ø-PA	ECL PROCESSOR ASSY. SLOTS FOR CACHE, CHANNEL CONTROL
KL1Ø-PC	CHANNEL CONTROL (MODULE SET)
KL1Ø-PD	TERMINATOR MODULE SET (USED IF NO CHANNEL CONTROL)
KL1Ø-PE	I/O ASSY FOR ONE DTE2Ø
KL1Ø-PF	I/O ASSY FOR FOUR DTE2Ø'S AND EIGHT RH2Ø'S
KL1Ø-PH	BUS OPTION ASSY FOR DIA2Ø AND DMA2Ø
KL1Ø-PJ	POWER SUPPLIES AND HARNESS FOR SMALL I/O SECTION
KL1Ø-PL	POWER SUPPLIES AND HARNESS FOR LARGE I/O SECTION
KL1Ø-PP	KL1Ø TALL CABINET ASSY WITH POWER SUPPLIES 6ØHZ
KL1Ø-PR	SAME AS -PP 5ØHZ
KL1Ø-PS	COLOR AND TRIM GROUP, 10 SERIES (BLUE & GRAY) TALL CABINETS
KL1Ø-PU	DECALS AND POWER CORD

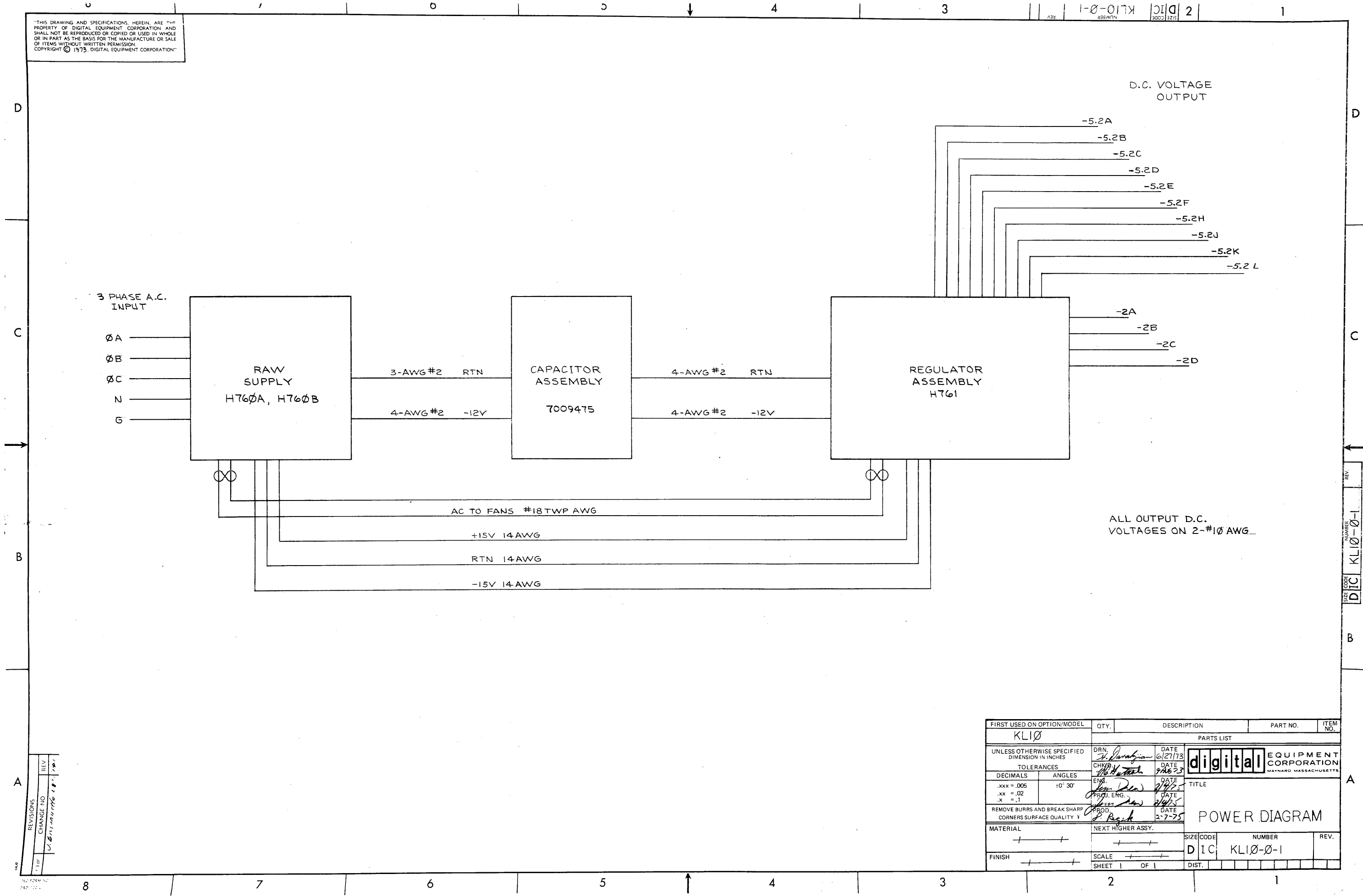
D  
C  
B  
A  
 REVISIONS  
 CHANGE NO.  
 REV.  
 CHK

D  
C  
B  
A  
 REV.  
 NUMBER  
 KL1Ø-Ø-Ø  
 SIZE CODE  
 CPL

FIRST USED ON OPTION/MODEL			QTY.	DESCRIPTION	PART NO.	ITEM NO.
KL1Ø						
PARTS LIST						
DIMENSIONAL TOLERANCE			DRN. <i>[Signature]</i>	DATE 6-27-75	 TITLE ARITHMETIC PROCESSOR	
DIMENSIONS ARE MILLIMETERS INCHES UNLESS OTHERWISE SPECIFIED			CHK'D. <i>[Signature]</i>	DATE 7-7-75		
MILLIMETERS	INCHES	ANGLES	ENG. <i>[Signature]</i>	DATE 7-7-75		
X,XX = ±0.10 X,X = ±0.5 X = ±2	.XXX = ±.005 .XX = ±.02 .X = ±.1	±0° 30'	PROJ. ENG. <i>[Signature]</i>	DATE 7-9-75		
THIRD ANGLE PROJECTION			REMOVE BURRS AND BREAK SHARP CORNERS SURFACE QUALITY ✓	PROJ. <i>[Signature]</i>	DATE 7-9-75	
			NEXT HIGHER ASSY.			
MATERIAL			B-DD-KL1Ø-Ø	SIZE CODE	NUMBER	REV.
FINISH			SCALE	CPL	KL1Ø-Ø-Ø	
			SHEET 5 OF 5	DIST.		

"THIS DRAWING AND SPECIFICATIONS, HEREIN, ARE THE PROPERTY OF DIGITAL EQUIPMENT CORPORATION AND SHALL NOT BE REPRODUCED OR COPIED OR USED IN WHOLE OR IN PART AS THE BASIS FOR THE MANUFACTURE OR SALE OF ITEMS WITHOUT WRITTEN PERMISSION. COPYRIGHT © 1973, DIGITAL EQUIPMENT CORPORATION"

1-0-017K D I C 2



D.C. VOLTAGE OUTPUT

- 5.2A
- 5.2B
- 5.2C
- 5.2D
- 5.2E
- 5.2F
- 5.2H
- 5.2J
- 5.2K
- 5.2L

3 PHASE A.C. INPUT

- ØA
- ØB
- ØC
- N
- G

RAW SUPPLY  
H760A, H760B

3-AWG #2 RTN

CAPACITOR ASSEMBLY  
7009475

4-AWG #2 RTN

REGULATOR ASSEMBLY  
H761

4-AWG #2 -12V

4-AWG #2 -12V

- 2A
- 2B
- 2C
- 2D

AC TO FANS #18 TWP AWG

+15V 14-AWG

RTN 14-AWG

-15V 14-AWG

ALL OUTPUT D.C. VOLTAGES ON 2-#10 AWG

FIRST USED ON OPTION/MODEL	QTY.	DESCRIPTION	PART NO.	ITEM NO.
PARTS LIST				
KL10				
UNLESS OTHERWISE SPECIFIED DIMENSION IN INCHES	DRN <i>J. Davatzian</i>	DATE 6/27/73		
TOLERANCES	CHKD <i>M. H. Tech</i>	DATE 9/26/73		
DECIMALS	ENG <i>Jim Dea</i>	DATE 7/25/73		
ANGLES	APPL. ENG. <i>Jim Dea</i>	DATE 7/25/73		
REMOVE BURRS AND BREAK SHARP CORNERS SURFACE QUALITY 1	PROD. <i>P. Regak</i>	DATE 2-7-75	POWER DIAGRAM	
MATERIAL	NEXT HIGHER ASSY.		SIZE CODE	NUMBER
FINISH	SCALE		D I C	KL10-0-1
	SHEET 1 OF 1		DIST.	

REV.	CHANGE NO.	DATE
1	1	10/1/73

REV. 1  
D I C  
KL10-0-1

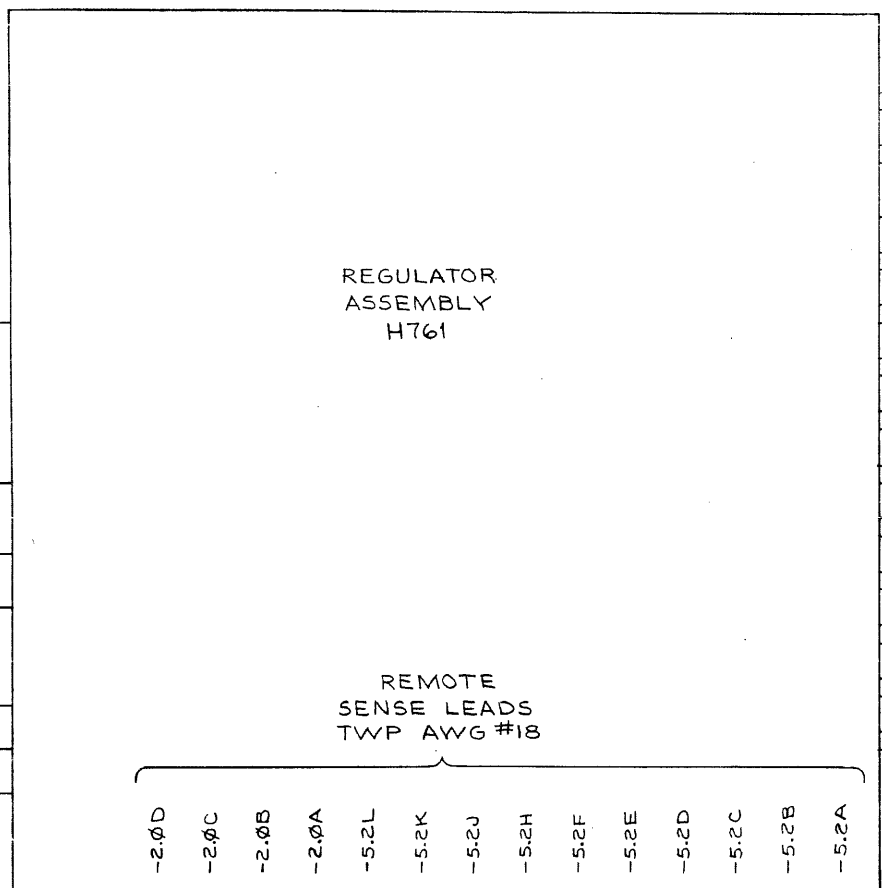
THIS DRAWING AND SPECIFICATIONS HEREIN ARE THE PROPERTY OF DIGITAL EQUIPMENT CORPORATION AND SHALL NOT BE REPRODUCED OR COPIED OR USED IN WHOLE OR IN PART AS THE BASIS FOR THE MANUFACTURE OR SALE OF ITEMS WITHOUT WRITTEN PERMISSION.  
 COPYRIGHT © 1973 DIGITAL EQUIPMENT CORPORATION

3-0-017X 10110 2

D  
C  
B  
A

D  
C  
B  
A

RTN  
-12V  
FAN AC IN  
+15V RTN  
-15V



LOAD -5.2A  
LOAD -5.2B  
LOAD -5.2C  
LOAD -5.2D  
LOAD -5.2E  
LOAD -5.2F  
LOAD -5.2H  
LOAD -5.2J  
LOAD -5.2K  
LOAD -5.2L  
LOAD -2.0A  
LOAD -2.0B  
LOAD -2.0C  
LOAD -2.0D

DC POWER TO LOAD  
2-AWG #10

REVISIONS

REV	CHANGE TO	DATE
1	U.S. 332 000 271	8-8-71

FIRST USED ON OPTION/MODEL	QTY.	DESCRIPTION	PART NO.	ITEM NO.
KL10				
UNLESS OTHERWISE SPECIFIED DIMENSION IN INCHES				
TOLERANCES				
DECIMALS	ANGLES			
.xxx = .005	+0° 30'			
.xx = .02				
.x = .1				
REMOVE BURRS AND BREAK SHARP CORNERS SURFACE QUALITY	NEXT HIGHER ASSY.			
MATERIAL	FINISH			
SCALE	SHEET OF			
digital EQUIPMENT CORPORATION MAYNARD MASSACHUSETTS		TITLE REGULATOR ASSEMBLY		
SIZE CODE D IC	NUMBER KL10-0-2	REV.		
DIST.				

8

7

6

5

4

3

2

1

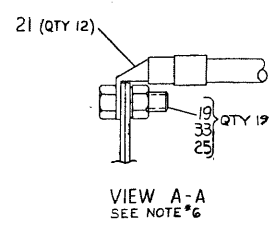
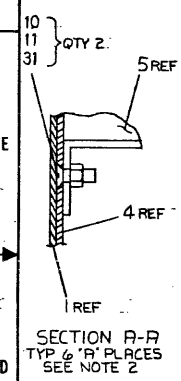
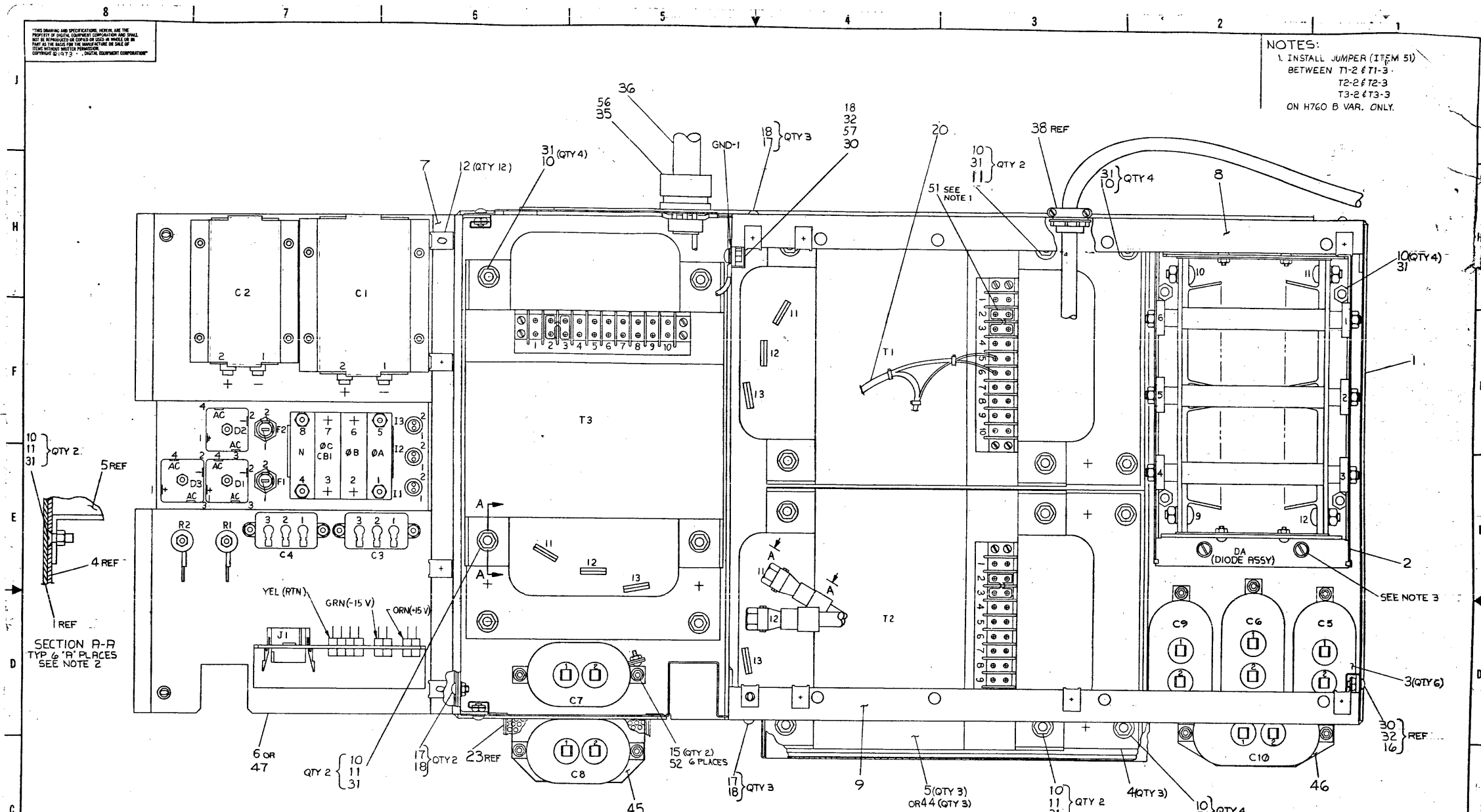
REV  
NUMBER  
KL10-0-2





THIS DRAWING AND SPECIFICATIONS HEREIN ARE THE PROPERTY OF DIGITAL EQUIPMENT CORPORATION AND SHALL NOT BE REPRODUCED OR COPIED IN WHOLE OR IN PART WITHOUT THE WRITTEN PERMISSION OF DIGITAL EQUIPMENT CORPORATION © 1973

NOTES:  
 1. INSTALL JUMPER (ITEM 51) BETWEEN T1-2 & T1-3, T2-2 & T2-3, T3-2 & T3-3 ON H760 B VAR. ONLY.



WIRE TABLE								WIRE TABLE											
ITEM NO	DESCRIPTION	AWG	COLOR	POINT	FROM CONNECTION	TERM	TO CONNECTION	TERM	REMARKS	ITEM NO	DESCRIPTION	AWG	COLOR	POINT	FROM CONNECTION	TERM	TO CONNECTION	TERM	REMARKS
22	2	BLU			T1-11	21	DA-1	21		20	14	BLK		21	T1-4 *	37	C6-2		* T1-6
					T1-13		DA-2								T1-3 *	36	C6-1 (POS)		* T1-5
					T2-11		DA-3								T1-6 *	29	T2-6 *		* T1-8 T2-8
					T2-13		DA-4								T2-3 *	35	C9-1 (POS)		* T2-5
					T3-11		DA-5								T2-4 *	34	C9-2		* T2-6
22	2	BLU			T3-13	21	DA-6	21		37	2	BLK			T1-12	9			
										38	2	BLK			T2-12	10			
										39	2	BLK			T3-12	11			
2	18	WHT			FANI-B		CB1-1			40	2	BLU			DA-12	5			
20	18	TWP	RED		FANI-A		CB1-2 *		* CB1-4	41	2	BLU			DA-11	6			
				1	D2-3		T2-5 *		* T2-7	42	2	BLU			DA-9	7			
				2	D2-4		T2-7 *		* T2-9	43	2	BLU			DA-10	8			
				3	D1-3		T1-5 *		* T1-7	36	10	WHT			CB1-8				
				4	D1-4		T1-7 *		* T1-9	36	10	ORG			CB1-7				
				5	D3-3		T3-5 *		* T3-7	36	10	RED			CB1-6				
				6	D3-4		T3-7 *		* T3-9	36	10	BLK			CB1-5				
20	TWP	RED			C1-1		T3-6 *		* T3-8	36	10	GRN			GND-1				
6 REF	14	YEL			C1-1		T3-6 *		* T3-8	36	10	GRN			GND-1				
20	10	BLU			T3-1		T2-2 *		* T2-4	20	14	RED	43		C9-1 (POS)	45	C10-1 (POS)		
					T3-1		CB1-3			20	TWP	BLK	44		C9-2	46	C10-2		
					T3-2 *		T1-1		* T3-4	20	14	RED	49		C6-1 (POS)	48	C5-1 (POS)		
					T3-2 *		CB1-1		* T3-4	20	TWP	BLK	50		C6-2	47	C5-2		
					T3-3 *		C7-1 (POS)		* T3-5	20	14	RED	53		C7-1 (POS)	51	C8-1 (POS)		
					T3-4 *		C7-2		* T3-5	20	TWP	BLK	54		C7-2	52	C8-2		
					T3-4 *		T1-6 *		* T3-5 & T1-8										
					T3-6 *		T1-2 *		* T1-4										
					T1-2 *		T1-2 *		* T1-4										
					T1-2 *		CB1-2		* T1-4										

\* FOR H760-B VARIATION, TERMINATE TO CONNECTIONS LISTED UNDER "REMARKS" COLUMN.

REV	DESCRIPTION	DATE	BY
1	ISSUED FOR PRODUCTION	11/28/73	...
2	...	...	...

PARTS LIST  
 TITLE: RAW POWER SUPPLY  
 H760  
 SCALE: 1:1  
 SHEET: 2 OF 2

**DIGITAL EQUIPMENT CORPORATION**  
MAYNARD, MASSACHUSETTS  
**PARTS LIST**

MADE BY V. Souza  
DATE 1/16/74  
ENG  
DATE  
CHECKED D. Healy  
DATE 1/28/74  
PROD  
DATE  
ISSUED SECT.

ITEM NO.	DWG NO. / PART NO.	DESCRIPTION	SECTION
REF	D-CS-H760-0-1	CIRCUIT SCHEMATIC (H760)	
1	E-IA-7410892-0-0	CHASSIS PWR SUPPLY	
2	E-IA-7009409-0-0	DIODE HEAT SINK ASSY	
3	1611491 (REF)	CAPACITOR (SUPPLIED WITH ITEM #5 OR #44)	
4	C-MD-7410893-0-0	PLATE, MOUNTING	
5	1611491	TRANS., STEP DOWN 208V 180A 60HZ	
6	D-AD-7009410-0-0	COMPONENT MTG PLATE ASSY	
7	C-MD-7410903-0-0	HINGE, REWORK	
8	D-MD-7410902-2-0	ANGLE, COVER MTG. (L.H.)	
9	D-MD-7410902-1-0	ANGLE, COVER MTG. (R.H.)	
10	9008203	NUT, KEP 1/4-20	
11	9006057-2	SCREW, PHL HD FLAT 1/4-20 x .63	
12	9008196	RECEPTACLE, CLIP ON	
13	9009255	LABEL, ADHESIVE BACKED	
14	9007031	TIES, CABLE	
15	9008185	NUT, KEPS #6-32	
16	9007786	NUT, TINNERMAN #10-32	
17	9006072-1	SCREW, PHL, PAN HD #10-32 x .43	
18	9006565	NUT KEPS #10-32	
19	9008922-9	SCREW, HEX HD 3/8-16 x 1.00	
20	E-IA-7009744-0-0	WARN. INTERCONN. (RAW P.S. H760)	
21	1211514	LUG, RIGHT ANGLE #2	

TITLE RAW POWER SUPPLY  
ASSY NO. E-UA-H760-0-0  
SHEET 1 OF 3  
SIZE CODE A PL  
NUMBER H760-0-0  
REV. ECO NO. B

ITEM NO.	DWG NO. / PART NO.	DESCRIPTION	SECTION	QUANTITY / VARIATION
				H760-A (208V 60HZ)
				H760-B (416V 50HZ)
				X
				1
				1
				6
				3
				3
				1
				1
				1
				22
				6
				12
				1
				9
				12
				17
				8
				11
				13
				1
				12

**DIGITAL EQUIPMENT CORPORATION**  
MAYNARD, MASSACHUSETTS  
**PARTS LIST**

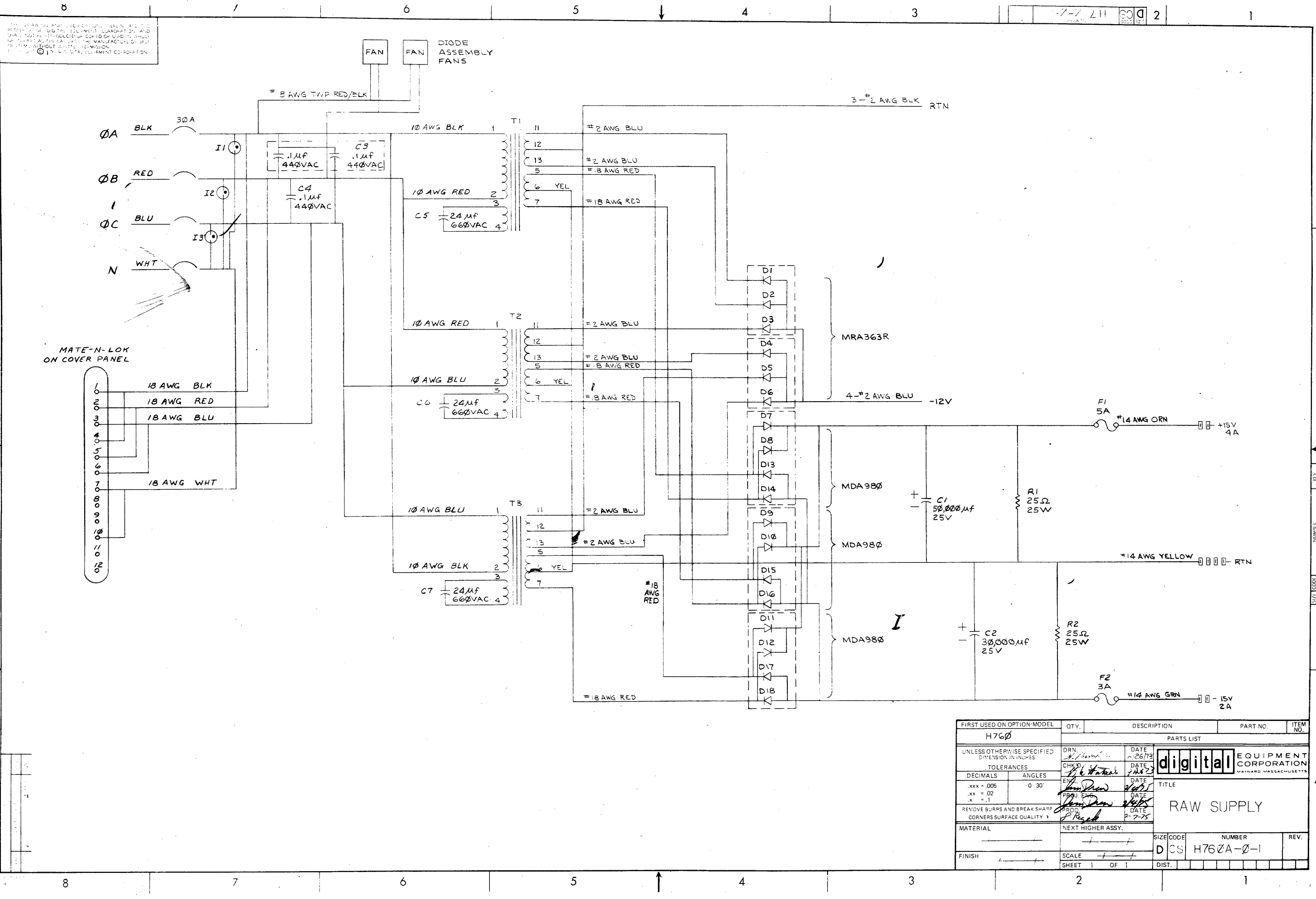
MADE BY V. Souza  
DATE 1/16/74  
ENG  
DATE  
CHECKED D. Healy  
DATE 1/28/74  
PROD  
DATE  
ISSUED SECT.

ITEM NO.	DWG NO. / PART NO.	DESCRIPTION	SECTION
22	9107764-66	WIRE, #2 AWG INS. BLU	
23	D-IA-7009772-0-0	SCREEN WELDMENT #1	
24	D-MD-7411558-1-0	COVER PROTECTION #3	
25	9006639	WASHER, LKG, INT TOOTH .375	
26	D-MD-7411586-0-0	PLATE PROTECTION	
27	D-MD-7411558-2-0	COVER PROTECTION #3	
28	D-IA-7009773-0-0	SCREEN WELDMENT #2	
29	D-IA-7410898-0-0	COVER, POWER SUPPLY	
30	9006071-1	SCREW, PHL HD, PAN #10-32 x .38	
31	9008415	WASHER, FLAT .572 O.D. x .270 I.D. x .06	
32	9006635	WASHER INT TOOTH LOCK #10	
33	9006593	NUT, HEX HD 3/8-16	
34	9007013	GROMMET, .44 DIA. x .19 HOLE	
35	121198-2	STRAIN RELIEF	
36	E-IA-701036-0-0	POWER CORD, H760	
37	C-IA-7010844-1-0	POWER CABLE #1	
38	C-IA-7010844-2-0	POWER CABLE #1	
39	C-IA-7010844-3-0	POWER CABLE #1	
40	C-IA-7010845-1-0	POWER CABLE #2	
41	C-IA-7010845-2-0	POWER CABLE #2	
42	C-IA-7010845-3-0	POWER CABLE #2	
43	C-IA-7010845-4-0	POWER CABLE #2	

TITLE RAW POWER SUPPLY  
ASSY NO. E-UA-H760-0-0  
SHEET 2 OF 3  
SIZE CODE A PL  
NUMBER H760-0-0  
REV. ECO NO. B

ITEM NO.	DWG NO. / PART NO.	DESCRIPTION	SECTION	QUANTITY / VARIATION
				H760-A (208V 60HZ)
				A/R A/R
				1
				1
				19
				1
				1
				1
				20
				22
				22
				19
				1
				1
				1
				1
				1
				1
				1
				1

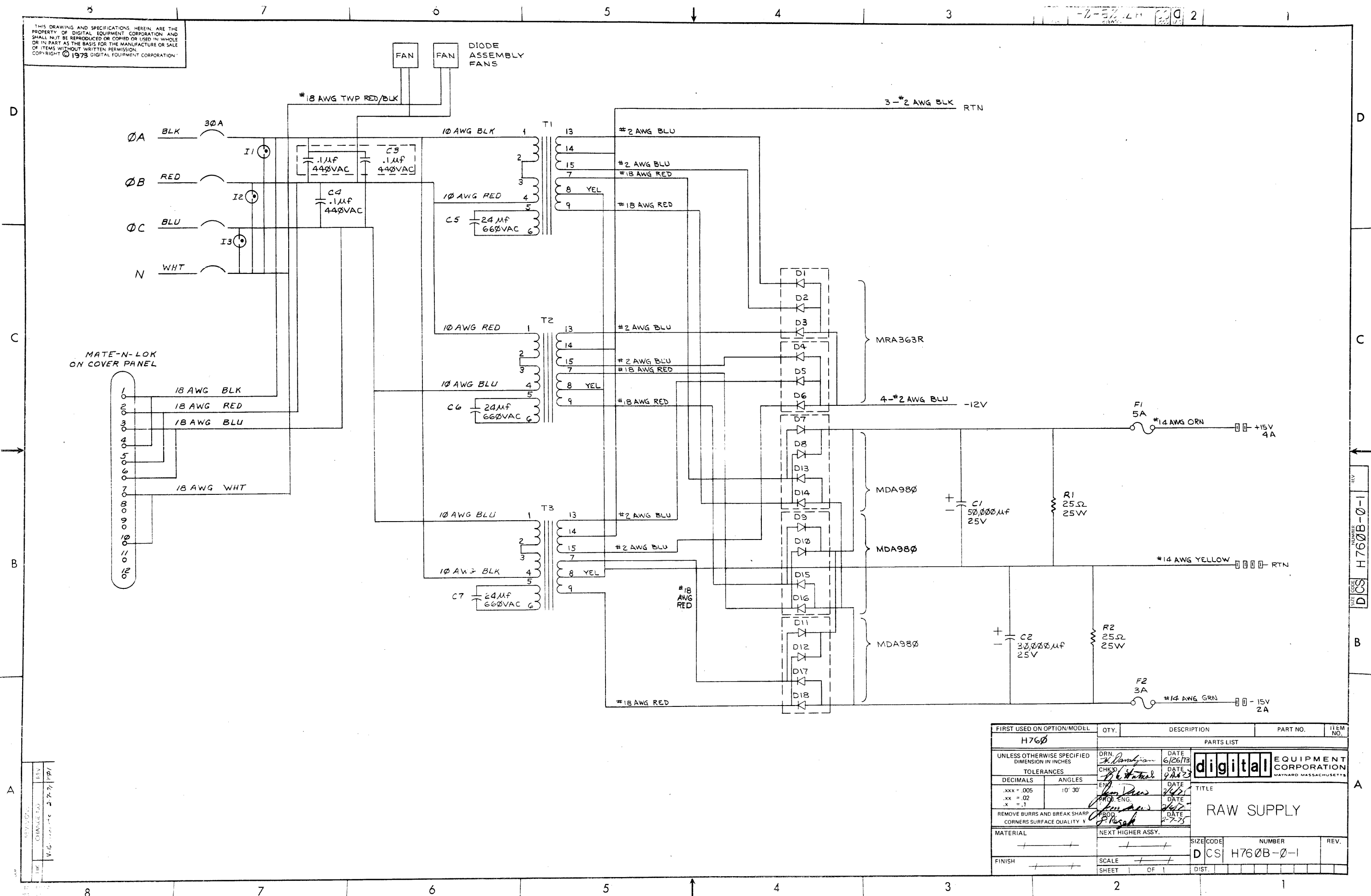




FIRST USED ON OPTION/MODEL	QTY.	DESCRIPTION	PART NO.	ITEM NO.
H76Ø				
PARTS LIST				
UNLESS OTHERWISE SPECIFIED DIMENSION IN INCHES	DRN DATE 2/26/73	DATE 2/26/73	<b>digital</b> EQUIPMENT CORPORATION MAYNARD, MASSACHUSETTS	
TOLERANCES	CHK'D DATE 1/18/73	DATE 1/18/73		
DECIMALS .xxx = .005 .xx = .02 .x = .1	ANGLES 0 30'	DATE 1/18/73	TITLE <b>RAW SUPPLY</b>	
REMOVE BURRS AND BREAK SHARP CORNERS SURFACE QUALITY 1	DATE 2-7-75	DATE 2-7-75		
MATERIAL	NEXT HIGHER ASSY.	SIZE CODE	NUMBER	REV.
FINISH	SCALE	D CS	H76ØA-Ø-1	
SHEET 1	OF 1	DIST.		

DRAWING NUMBER: H76ØA-Ø-1

THIS DRAWING AND SPECIFICATIONS, HEREIN, ARE THE PROPERTY OF DIGITAL EQUIPMENT CORPORATION, AND SHALL NOT BE REPRODUCED OR COPIED OR USED IN WHOLE OR IN PART AS THE BASIS FOR THE MANUFACTURE OR SALE OF ITEMS WITHOUT WRITTEN PERMISSION. COPYRIGHT © 1973 DIGITAL EQUIPMENT CORPORATION.



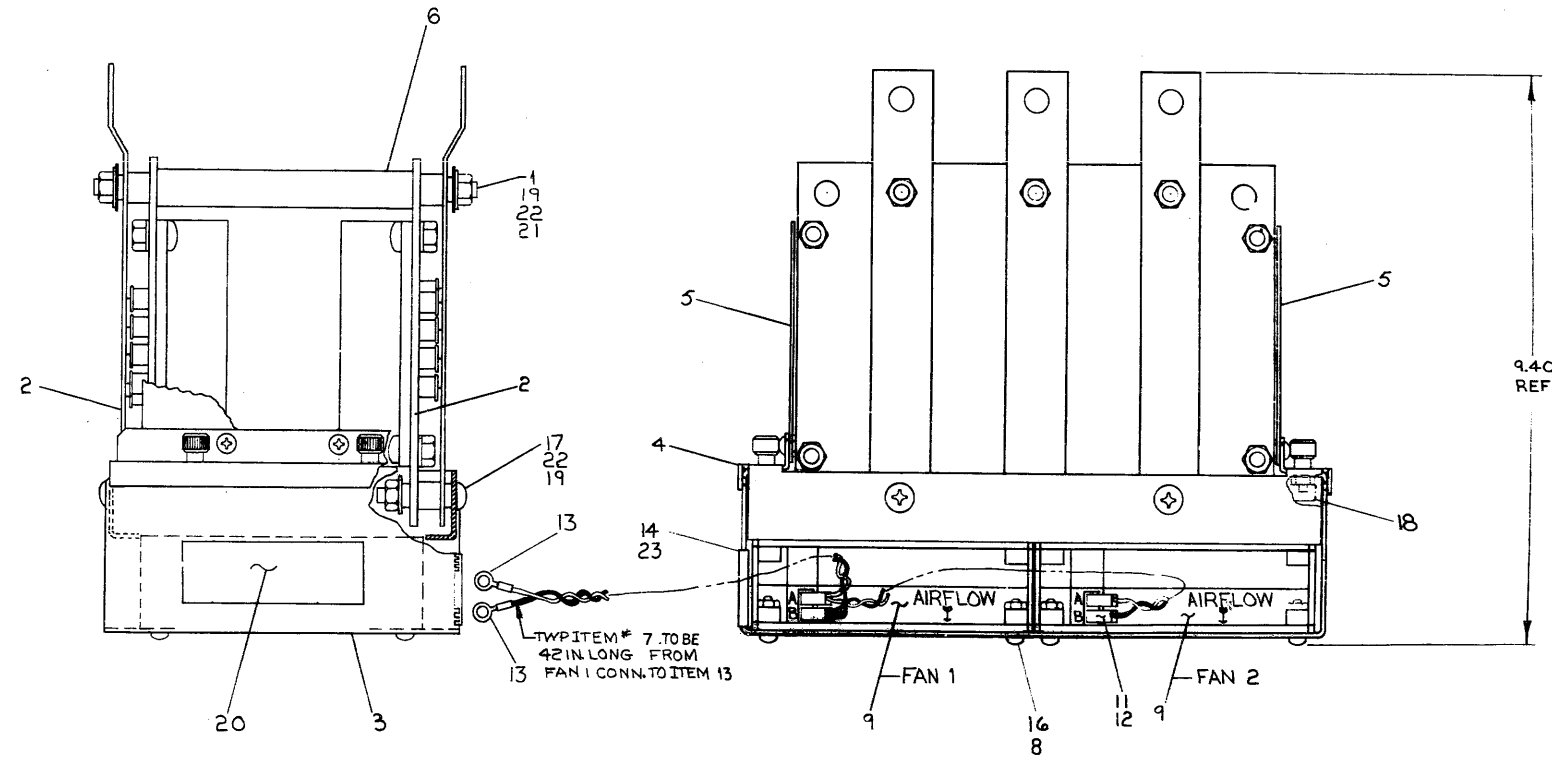
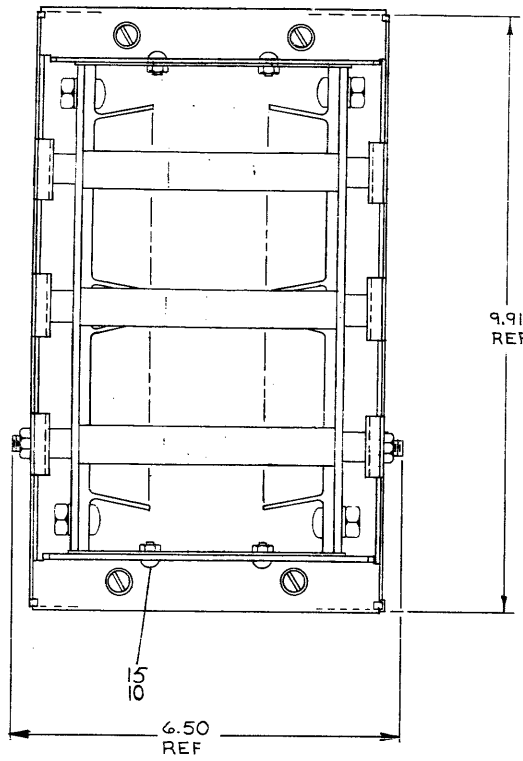
FIRST USED ON OPTION/MODEL	QTY.	DESCRIPTION	PART NO.	ITEM NO.
H76Ø		PARTS LIST		
UNLESS OTHERWISE SPECIFIED DIMENSION IN INCHES	DRN <i>[Signature]</i>	DATE 6/26/73	<b>digital</b> EQUIPMENT CORPORATION <small>WAYNARD, MASSACHUSETTS</small>	
TOLERANCES	CHK'D <i>[Signature]</i>	DATE 9/16/73		
DECIMALS .xxx = .005	ENG. <i>[Signature]</i>	DATE 1/17/74		
ANGLES 10' 30"	PROJ. ENG. <i>[Signature]</i>	DATE 2/7/75		
REMOVE BURRS AND BREAK SHARP CORNERS SURFACE QUALITY 1	PROD. <i>[Signature]</i>	DATE 2-7-75	TITLE <b>RAW SUPPLY</b>	
MATERIAL	NEXT HIGHER ASSY.	SIZE CODE	NUMBER	REV.
FINISH	SCALE	D CS	H76ØB-Ø-1	
	SHEET OF 1	DIST.		

REV.	DATE	BY
1	10-27-73	[Signature]
2	1-16-74	[Signature]

REV. H76ØB-Ø-1

ITEM NO.	AWG	COLOR	FROM		TO	
			CONN	WITH	CONN	WITH
7	18	RED	FAN2-A	11+12	FAN1-A*	11+12
7	TWP	WHT	FAN2-B	11+12	FAN1-B*	11+12
7	18	RED	FAN1-A*	11+12	-	13
7	TWP	WHT	FAN1-B*	11+12	-	13

\*CRIMP ITEM #12 TO BOTH RED TWP  
\*\*CRIMP ITEM #12 TO BOTH WHT TWP



QTY.	DESCRIPTION	PART NO.	PRICE
A/R	ADHESIVE, HYBRID 80	5007594	23
10	NUTS, FLAT TOP, 1/4-20, 1.25	9007792	22
6	WASHER, NYLON	9009246	21
1	LABEL, ADHESIVE BACKED	9009257	20
10	NUT KEPS 1/4-20	9008203	19
4	NUT, SPRING	9007786	18
4	SCREW, PHL PAN HD 1/4-20x1.25	9009450	17
8	SCREW, PHL PAN HD 6-32x.63	9006025	16
4	SCREW, PHL PAN HD 8-32x.312	9006036	15
A/R	GROMMET	9007046	14
2	CONN, SOLDERLESS, RED	9007930	13
4	FASTAB TERMINAL	1210820-4	12
4	FASTAB SOCKET HSG	1210820-1	11
4	NUT, KEPS 8-32	9006563	10
2	FAN SUPER BOXER	1210930	9
8	NUT KEPS 6-32	9006560	8
A/R	18 AWG TWP RED/ WHT	907430-29	7
3	SPACER	9009631	6
2	PANEL BAFFLE	8-110-11140-0-0	5
1	HEAT SINK SUPPORT	8-110-11140-0-0	4
1	FAN BRACKET	8-110-11140-0-0	3
2	DIODE ASSEMBLY	1111495	2
3	ROD, THREADED	8-110-111475-00	1

KL 10

UNLESS OTHERWISE SPECIFIED  
DIMENSIONS IN INCHES  
TOLERANCES

DRAWN BY: [Signature] CHECKED BY: [Signature]

DATE: [Date]

MATERIAL: SEE PARTS LIST

FINISH: [Finish]

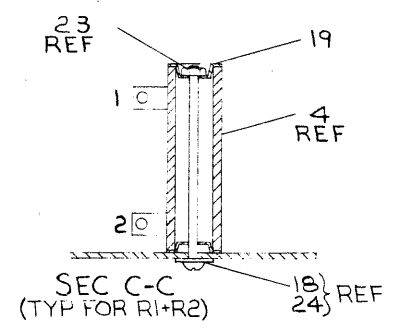
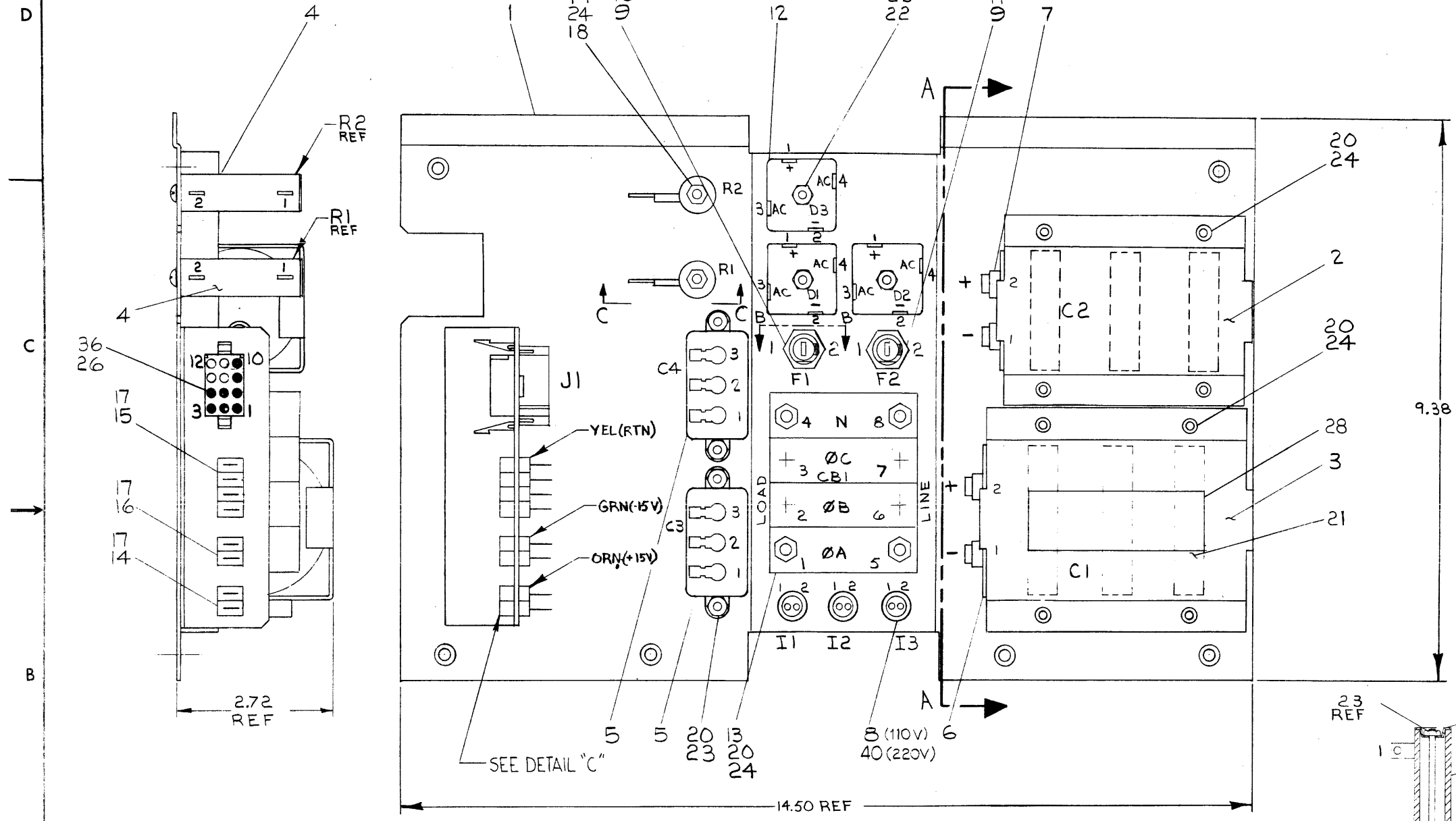
7009409-0-0

DIODE HEAT SINK  
ASSY

7009409-0-0

THIS DRAWING AND SPECIFICATIONS HEREIN ARE THE PROPERTY OF DIGITAL EQUIPMENT CORPORATION AND SHALL NOT BE REPRODUCED OR COPIED OR USED IN WHOLE OR IN PART AS THE BASIS FOR THE MANUFACTURE OR SALE OF ITEMS WITHOUT WRITTEN PERMISSION. COPYRIGHT © 1973 DIGITAL EQUIPMENT CORPORATION.

LEGEND	
NUMBER	VARIATION
7009410-1	H760-A 60 HZ
7009410-2	H760-B 50 HZ



QTY	DESCRIPTION	PART NO.	ITEM NO.
3	LAMP, PILOT	1202556	40
11	CONNECTOR (BLUE)	9007928	39
5	TIES, CABLE	9007031	38
A/R	A/R #18 AWG WIRE STRD INS (WHITE)	9107360-99	37
1	CONN. MAT-N-LOK 12 SKT	1209350-12	36
6	CONN. SOLDELESS	9007694-0	35
A/R	A/R #14 AWG WIRE STRD INS (YELLOW)	9107370-44	34
A/R	A/R #14 AWG WIRE STRD INS (GREEN)	9107370-55	33
A/R	A/R #14 AWG WIRE STRD INS (ORANGE)	9107370-33	32
A/R	A/R #18 AWG WIRE STRD INS (ORANGE)	9107360-33	31
A/R	A/R #18 AWG WIRE STRD INS (RED)	9107360-22	30
A/R	A/R #18 AWG WIRE STRD INS (BLACK)	9107360-00	29
1	LABEL, ADHESIVE BACKED	9009255	28
5	CONNECTOR (RED)	9007930-0	27
8	FEMALE CONTACT	1209379-01	26
13	CONNECTOR (BLUE)	9007919-0	25
18	INT TOOTH LOCK WASHER *6	9006633	24
9	KEP NUT #6-32	9008185	23
3	PHL PAN HD SCR #6-32 x .56 LG.	9007793-1	22
A/R	A/R TAPE, ADHESIVE 2 SIDES .50 WD	9007834	21
20	PHL PAN HD SCR #6-32 x .31 LG	9006021-1	20
4	WASHER, CENTERING	9006674	19
2	PHL PAN HD SCR #6-32 x .12 LG	9007850-1	18
8	TERMINAL INSERT	9007238	17
2	BUSH. JUNC. TERM (GRN)	9007236	16
4	BUSH. JUNC. TERM (YEL)	9007233	15
2	BUSH. JUNC. TERM (ORN)	9007234	14
1	CIRCUIT BREAKER 30A 240V	1211037-02	13
3	DIODE PACK	1110168	12
1	FUSE 3A	9007217	11
1	FUSE 5A	9007221	10
2	FUSE HOLDER	9007242	9
-	LAMP, PWR ON IND (RED)	1211263	8
1	CAPACITOR 30,000MFD 25VDC	1010184	7
1	CAPACITOR 50,000MFD 25VDC	1009967-0	6
2	CAPACITOR 2X-1MFD, 440VAC	1010193	5
2	RESISTOR 25 OHM 25W 1.0%	1300190	4
1	CAP MTG BRKT *2	C-1A-7410901-0-0	3
1	CAP MTG BRKT *1	C-1A-7410900-0-0	2
1	COMPONENT MTG PLATE	E-MD-7410899-0-0	1

FIRST USED ON OPTION/MODEL	QTY.	DESCRIPTION	PART NO.	ITEM NO.
KLID				
UNLESS OTHERWISE SPECIFIED DIMENSION IN INCHES				
TOLERANCES				
DECIMALS	ANGLES			
.xxx = .005	±0° 30'			
.xx = .02				
.x = .1				
REMOVE BURRS AND BREAK SHARP CORNERS SURFACE QUALITY Y				
MATERIAL				
NEXT HIGHER ASSY.				
FINISH				

DRN	DATE		<b>EQUIPMENT CORPORATION</b> <small>MAYNARD, MASSACHUSETTS</small>
CHKD	DATE		
ENGR	DATE		
PRJ. ENG.	DATE		
PROD.	DATE		
TITLE		<b>COMPONENT M TG PLATE ASSY</b>	
MATERIAL		SIZE CODE	NUMBER
D-UA-H760-0-0		DAD	7009410-0-C
SCALE NONE		REV.	A
SHEET OF 2			

REV	CHG	NO
A	H760-00001	1

REVISIONS

CHK H760-00001

REVISIONS

J. PROVIDENT 3-13-75

PART NO. 7009410-0

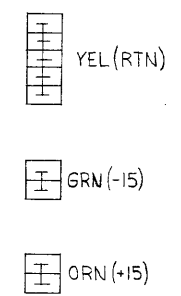
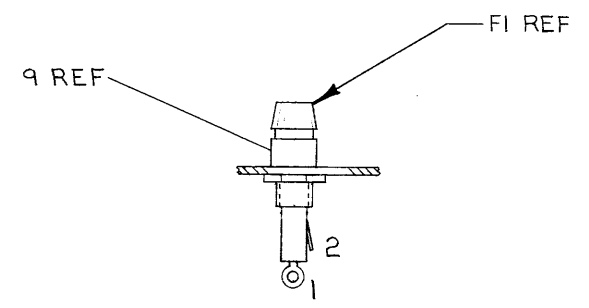


"THIS DRAWING AND SPECIFICATIONS, HEREIN, ARE THE PROPERTY OF DIGITAL EQUIPMENT CORPORATION AND SHALL NOT BE REPRODUCED OR COPIED OR USED IN WHOLE OR IN PART AS THE BASIS FOR THE MANUFACTURE OR SALE OF ITEMS WITHOUT WRITTEN PERMISSION. COPYRIGHT © 1973, DIGITAL EQUIPMENT CORPORATION"

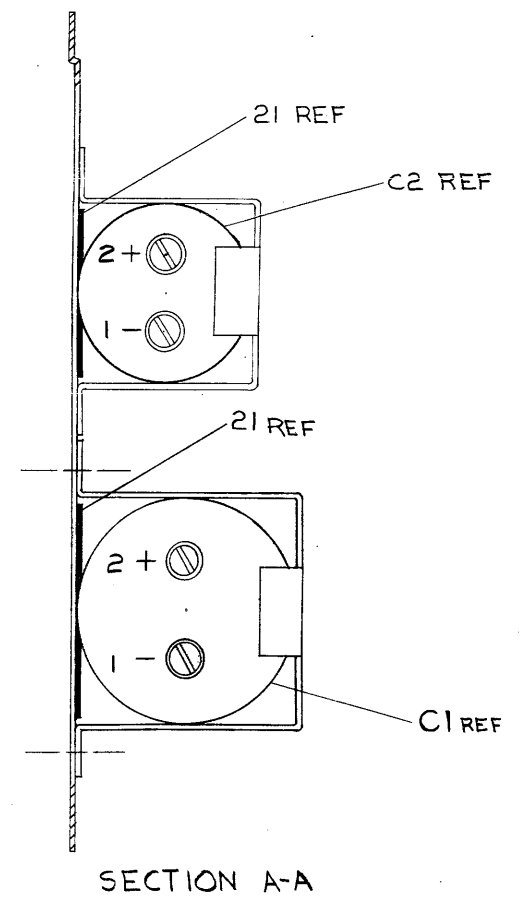
WIRE TABLE

ITEM NO.	DESCRIPTION		FROM			TO		
	AWG	COLOR	POINT	CONNECTION	WITH	POINT	CONNECTION	WITH
D 8	*22	*BLK		I1-2				27
8	*22	*BLK		I2-2			CBI-4	27
8	*22	*BLK		I3-2				27
8	*22	*BLK		I1-1				
29	18	BLK			26		CBI-1	39
29	18	BLK		J1-1			J1-4	26
8	*22	*BLK		I2-1				
30	18	RED					CBI-2	39
30	18	RED		J1-2	26		J1-5	26
8	*22	*BLK		I3-1				
31	18	ORN					CBI-3	39
31	18	ORN		J1-3	26		J1-6	26
29	18	BLK		C3-1	SOLD		CBI-1	27
29	18	BLK		C3-2	SOLD			
29	18	BLK		C4-1	SOLD		CBI-2	39
29	18	BLK		C3-3	SOLD			
29	18	BLK		C4-2	SOLD		CBI-3	39
C 32	14	ORN		D1-1	25+35		D2-1	25+35
32	14	ORN		D2-1	25		D3-1	25+35
32	14	ORN		D3-1	25		C1-2(POS)	39
32	14	ORN		R1-1	SOLD		D1-1	25
32	14	ORN		F1-1	SOLD		F1-2	SOLD
32	14	ORN					**+15(ORG)	17+SOLD
33	14	GRN		D1-2	25+35		D2-2	25+35
33	14	GRN		D2-2	25		D3-2	25+35
33	14	GRN		D3-2	25		C2-1(NEG)	39
33	14	GRN					D1-2	25
33	14	GRN		R2-1	SOLD		F2-2	SOLD
33	14	GRN		F2-1	SOLD		** -15(GRN)	17+SOLD
34	14	YEL		C1-1(NEG)	39		C2-2(POS)	39
34	14	YEL		C2-2(POS)	39		R1-2	SOLD
34	14	YEL		R1-2	SOLD		R2-2	SOLD
34	14	YEL		R2-2	SOLD		**RTN(YEL)	17+SOLD
37	18	WHT		J1-10	26		CBI-4	27
37	18	WHT					J1-7	26
B 34	14	YEL		C1-1(NEG)	39			25

\* #22 AWG BLK WIRE PART OF INDICATOR LAMP ITEM#8  
 \*\* SEE DETAIL "C"

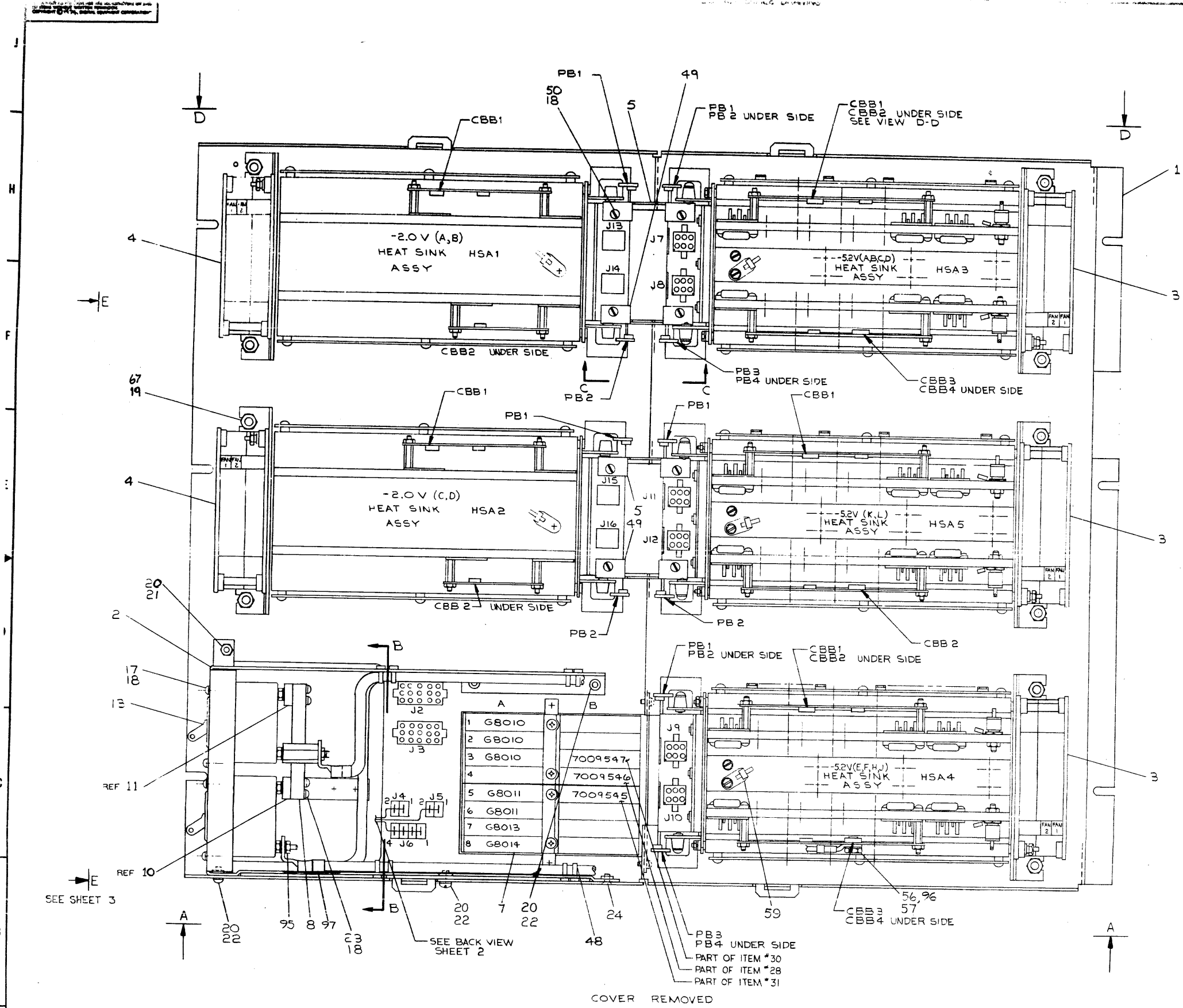


DETAIL "C"  
 (BUS YEL, GRN & ORN WIRES AS SHOWN)  
 TURNED TO SHOW TERMINALS



REVISIONS		
CHK	CHANGE NO.	REV.

NOTES:  
 1. USE TIE WRAPS (ITEM #36) ACCORDING TO DEC STANDARD 116.  
 2. ASSEMBLY ITEM #8 TO ITEMS #06#11 REV A AS SHOWN. OTHERWISE USE EXISTING MOUNTING HOLES.



CAUTION: OFF SHEET PARTS LIST EXISTS

FIRST USED ON OPTION/MODEL	QTY.	DESCRIPTION	PART NO.	ITEM NO.
KL10		REGULATED POWER SUPPLY		

DRN	DATE	CHK'D	DATE
PROJ. ENG.	DATE	DATE	DATE
DATE	DATE	DATE	DATE

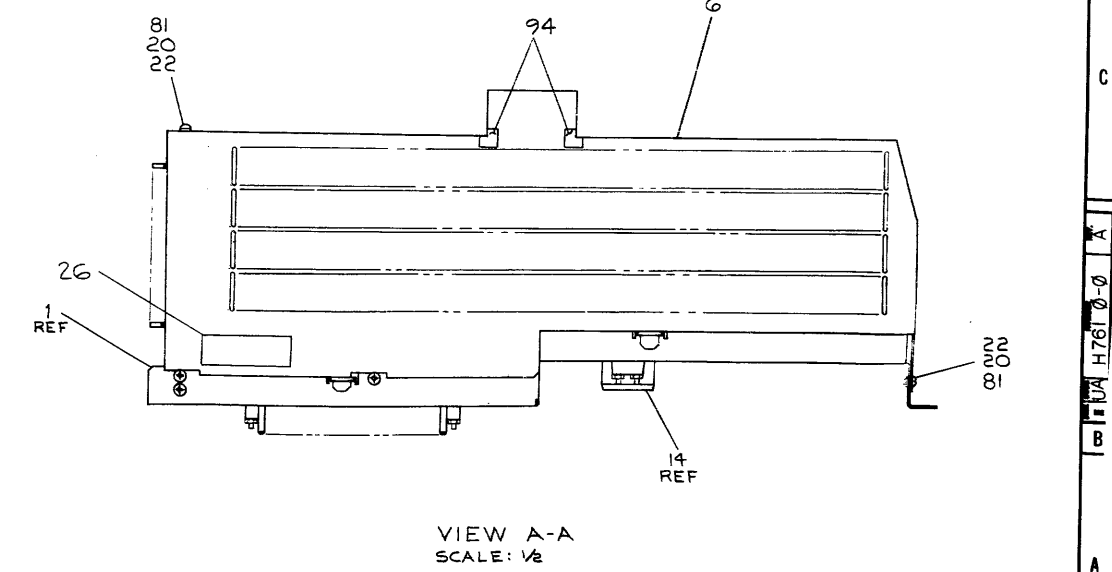
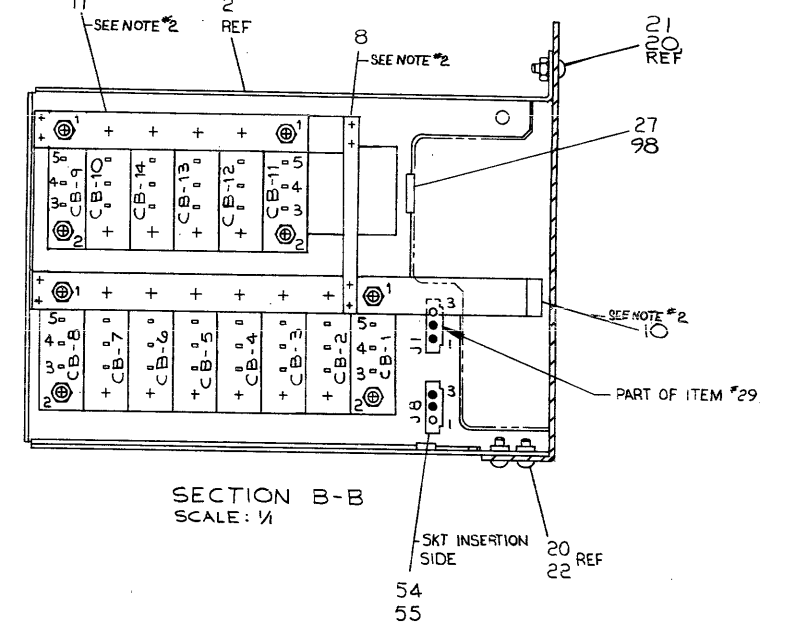
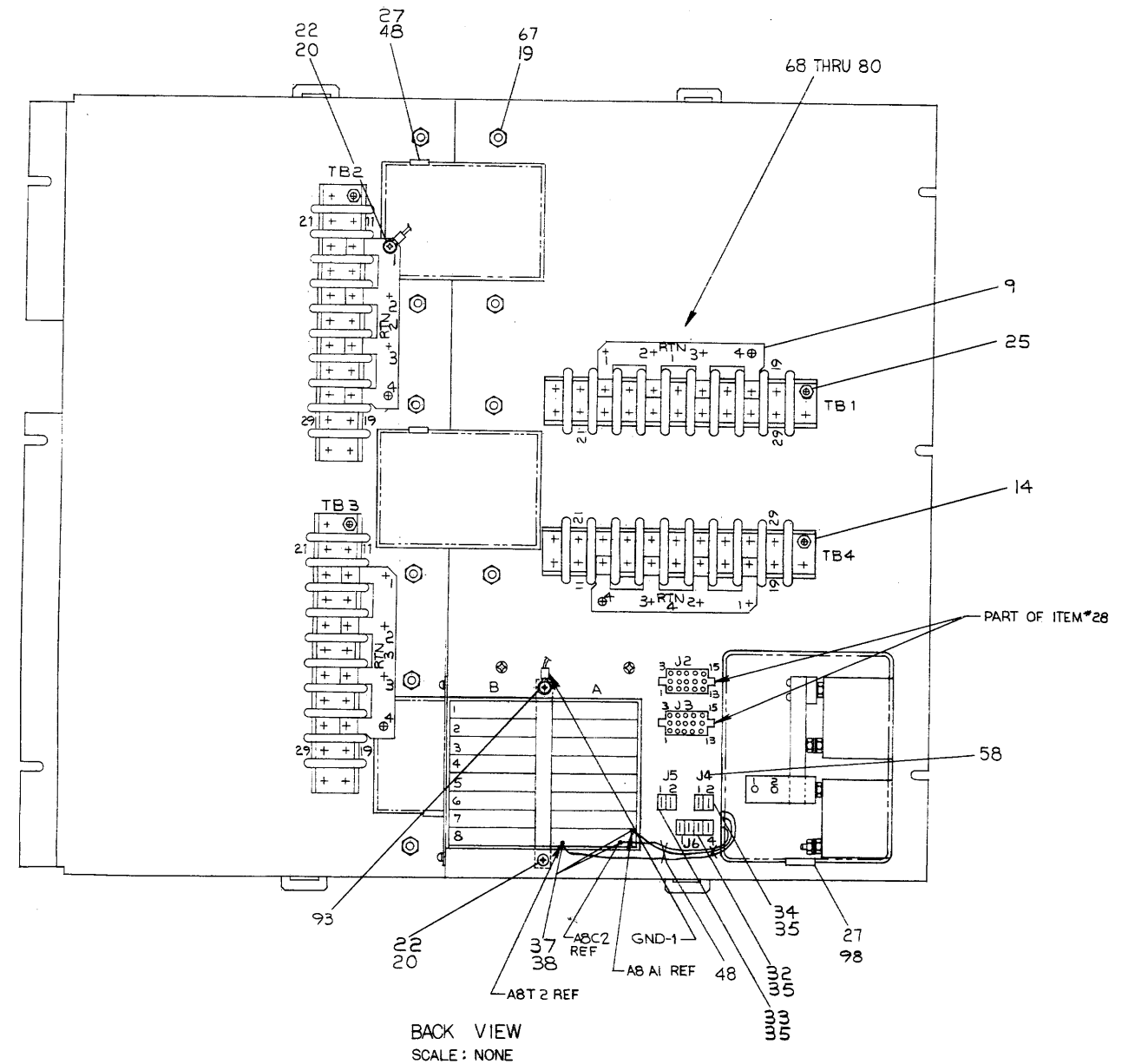
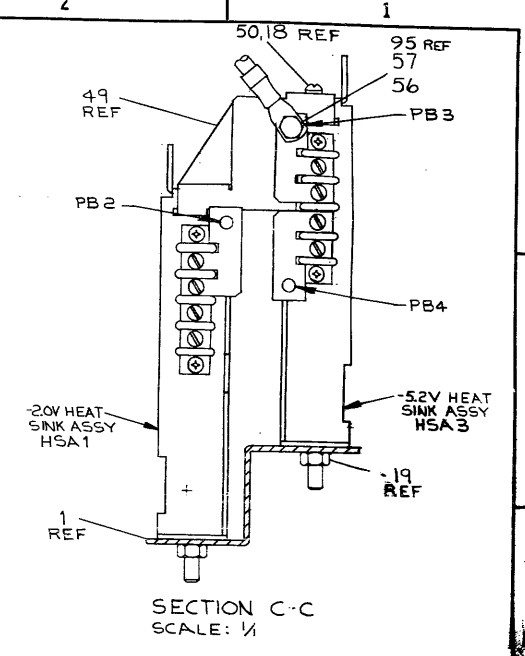
  

THIRD ANGLE PROJECTION	REMOVE BURRS AND BREAK SHARP CORNERS SURFACE QUALITY	NEXT HIGHER ASSY.	SIZE CODE	NUMBER	REV.
SEE PARTS LIST		D-UA-KL10-0-0	E UA	H761-0-0	A

THIS DRAWING AND SPECIFICATIONS HEREBY ARE THE PROPERTY OF MILVAC ELECTRONIC CORPORATION AND SHALL NOT BE REPRODUCED OR COPIED IN WHOLE OR IN PART WITHOUT THE WRITTEN PERMISSION OF MILVAC ELECTRONIC CORPORATION.

WIRE TABLE							WIRE TABLE								
ITEM NO.	DESCRIPTION	AWG	COLOR	POINT	FROM CONNECTION TERM	POINT TO CONNECTION TERM	REMARKS	ITEM NO.	DESCRIPTION	AWG	COLOR	POINT	FROM CONNECTION TERM	POINT TO CONNECTION TERM	REMARKS
45		8	BLU		CB1-2	48		38	ORR			J4-2	SOLD		
					CB2-2			39	BARE			J4-1	SOLD	37 & 38	
					CB3-2			41	GRN			J5-2		37 & 38	
					CB4-2			41	BARE			J5-1	SOLD	37 & 38	
					CB5-2			40	BLK			J6-4		37 & 38	
					CB6-2			40	BARE			J6-2			
					CB7-2			40	BARE			J6-1			
					CB8-2			52				CB11-5		CB12-5	
44			BLU		CB10-2							CB13-5		CB14-5	
44			GRN		CB11-2							CB10-5		CB9-5	
44					CB12-2							CB8-5		CB7-5	
44		8	GRN		CB13-2							CB6-5		CB5-5	
					CB14-2			52				CB4-5		CB3-5	
								52				CB2-5	SOLD	CB1-5	
45		8	BLU		HSA3-CBB1	47		43	18			J8-2	54	CB1-3	
					HSA3-CBB2			52	18			J8-3	54		
					HSA3-CBB3			43	18	TWP		CB2-3	SOLD	CB3-3	
					HSA3-CBB4							CB4-3		CB5-3	
					HSA4-CBB1							CB6-3		CB7-3	
					HSA4-CBB2							CB8-3		CB9-3	SOLD
					HSA4-CBB3										
					HSA4-CBB4										
					HSA5-CBB1										
45			BLU		HSA5-CBB2										
44			GRN		HSA1-CBB1										
44					HSA1-CBB2										
44					HSA2-CBB1										
44		8	GRN		HSA2-CBB2	47									
42		14	BLK		RTN3-1	51		52							
42		14	BLK		RTN2-1			52	18						
42		14	BLK		RTN1-1										
42		14	BLK		RTN1-3	51									
					GND-1										

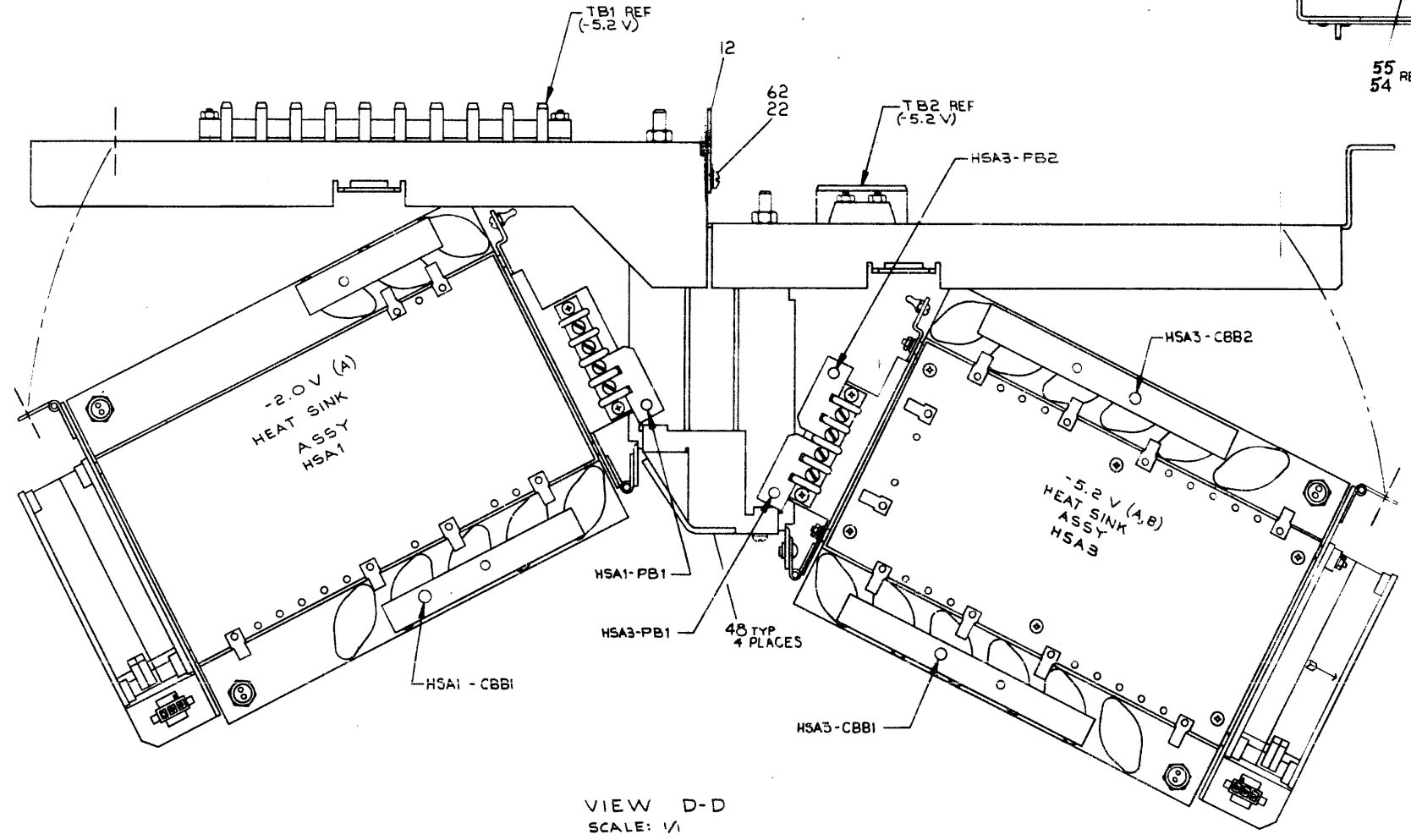
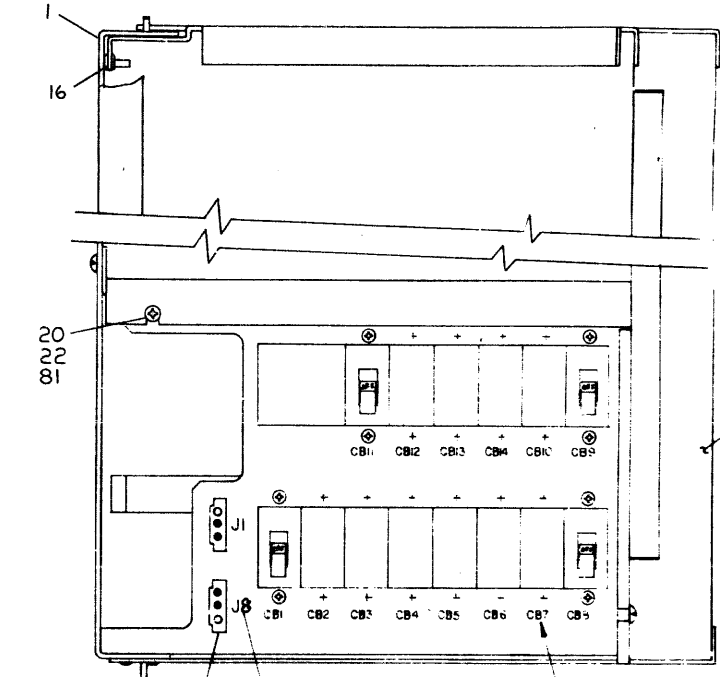
CONTINUED ON SHEET 3



REV.	CHANGE NO.	REV.

THIS DRAWING AND SPECIFICATIONS HEREAFTER ARE THE PROPERTY OF THE UNITED STATES GOVERNMENT AND SHALL NOT BE REPRODUCED OR COPIED IN WHOLE OR IN PART IN ANY MANNER WITHOUT THE WRITTEN PERMISSION OF THE SECRETARY OF DEFENSE.

WIRE TABLE						WIRE TABLE															
ITEM NO.	DESCRIPTION	AWG.	COLOR	POINT	CONNECTION	TERM.	POINT	CONNECTION	TERM.	REMARKS	ITEM NO.	DESCRIPTION	AWG.	COLOR	POINT	CONNECTION	TERM.	POINT	CONNECTION	TERM.	REMARKS
52	18				CB10-3	SOLD		CB10-3	SOLD		28					HARNES	J2		CHASSIS ITEM #1		
52	18				CB13-3	SOLD		CB12-3	SOLD		28								CHASSIS ITEM #1		
52	18				CB11-3	SOLD		CB12-3	SOLD		28								(B04) ITEM #7		
52	18										29								ITEM #2		
30	10 TWP	BLU		29	HARNES			TB3-11			29	RED		3					HSA2 - FAN-2		
		BLK		30				RTN3-1			29	WHITE		4					HSA2 - FAN-1		
		BLK		31				RTN3-1			29	RED		5					HSA1 - FAN-2		
	10 TWP	BLU		32				TB3-13			29	WHITE		6					HSA1 - FAN-1		
		BLK		33				RTN3-2			29	RED		7					HSA3 - FAN-2		
	10 TWP	BLU		34				TB3-15			31								(B05) ITEM #7		
		BLK		35				RTN3-2											HSA4 - J18		
	10 TWP	BLU		36				TB3-17											HSA4 - J9		
		BLK		37				TB4-17											HSA3 - J8		
	10 TWP	BLK		38				RTN4-1											HSA3 - J7		
		BLK		39				TB4-15											HSA1 - J13		
	10 TWP	BLK		40				RTN4-2											HSA1 - J14		
		BLK		41				RTN4-3											HSA5 - J12		
	10 TWP	GRN		42				TB4-13											HSA5 - J11		
		BLK		43				RTN4-3											HSA2 - J15		
	10 TWP	GRN		44				TB4-11			14	BLK		31					HSA2 - J18		
		BLK		45				RTN1-1											RTN2-3		
	10 TWP	BLU		46				TB1-11											RTN2-2		
		BLK		47				TB1-13											RTN2-1		
	10 TWP	BLU		48				RTN1-2											RTN1-1		
		BLK		49				TB2-15											RTN1-2		
	10 TWP	BLK		50				RTN2-3													
		BLU		51				TB2-17											RTN4-2		
	10 TWP	BLK		52				RTN2-3											RTN4-1		
		BLK		53				RTN2-2			31	14	BLK	48							
	10 TWP	BLU		54				TB2-13			29	WHITE		8					HSA3 - FAN-1		
		BLK		55				RTN7-1											HSA5 - FAN-2		
	10 TWP	BLU		56				TB2-11											HSA5 - FAN-1		
30					HARNES			(B03) ITEM #7			29	WHITE		12	HARNES				HSA4 - FAN-2		
																			HSA4 - FAN-1		



# DIGITAL EQUIPMENT CORPORATION

MAYNARD, MASSACHUSETTS

## PARTS LIST

MADE BY K. GAMACHE  
 DATE 10/18/74  
 ENG Jim Dwyer  
 DATE 11/19/74

CHECKED 1/2/75

DATE 1/NOV 74  
 PROD  
 DATE 11-19-74

SECTION  
 ISSUED SECT.

ITEM NO.	DWG NO. / PART NO.	DESCRIPTION	QUANTITY / VARIATION
1	E-IA-7410991-0-0	CHASSIS, REG P.S.	1
2	E-IA-7410993-0-0	SUPPORT, CIRCUIT BREAKER	1
3	E-AD-7009405-0-0	REG. HEAT SINK ASSY (-5.2V)	3
4	E-AD-7009404-0-0	REG. HEAT SINK ASSY (-2.0V)	2
5	D-IA-7411571-1-0	SUPPORT REG. ASSY	2
6	E-IA-7010162-0-0	COVER ASSY	1
7	C-AD-7010100-0-0	WIRED ASSY REG. POWER SUPPLY	1
8	B-MD-7411529-0-0	CONN BUSS BAR	1
9	C-IA-7411554-1-0	STRIP, BUSSING RETURN	4
10	C-MD-7411531-0-0	BUSS BAR NO. 1 -12V	1
11	C-MD-7411532-0-0	BUSS BAR NO. 2 -12V	1
12	B-MD-7412425-0-0	CONN PINS PROTECTION PLATE	1
13	1211498	CIRCUIT BREAKER	14
14	1211499	TERMINAL BLOCK, 9 POSITION	4
15	9007046	GROMMET	7 FT
16	9007014	GROMMET 1/8 I.D.	1
17	9006021-1	SCR. PHL PAN HD #6-32 X .31	28
18	9006633	WASH. INT TOOTH LOCK #6	40
19	9008203	NUT, KEPS 1/4-20	20
20	9006036-1	SCR, PHL PAN HD #8-32 X .31	25
21	9006563	NUT, KEPS #8-32	1
22	9006634	WASH. INT TOOTH, LOCK #8	26

TITLE REGULATED POWER SUPPLY  
 ASSY NO. E-UA-H761-0-0  
 SIZE CODE A PL H761-0-0  
 SHEET 1 OF 5  
 NUMBER  
 REV. A  
 ECO NO. H761-00001

# DIGITAL EQUIPMENT CORPORATION

MAYNARD, MASSACHUSETTS

## PARTS LIST

MADE BY K. GAMACHE  
 DATE 10/18/74  
 ENG Jim Dwyer  
 DATE 11/19/74

CHECKED

DATE  
 PROD  
 DATE 11-19-74

SECTION  
 ISSUED SECT.

ITEM NO.	DWG NO. / PART NO.	DESCRIPTION	QUANTITY / VARIATION
23	9006025-1	SCR PHL PAN HD #6-32 X .62	4
24	9006036-2	SCR, PHL FLAT HD #8-32 X .31	2
25	9006560	NUT, KEPS #6-32	16
26	9009255	LABEL, ADHESIVE BACK	1
27	9007594	ADHESIVE, HYBOND 80	AR
28	D-IA-7009546-0-0	HARNES, SENSE	1
29	E-IA-7010307-0-0	HARNES A.C. FAN H761	1
30	E-IA-7009547-0-0	HARNES, OPEN SENSE	1
31	E-IA-7009545-0-0	HARNES DRIVE, SCR & SCR RTN	1
32	9007237	BUSH. JUNC. TERM (BLK)	4
33	9007236	BUSH. JUNC. TERM (GRN)	2
34	9007234	BUSH. JUNC. TERM (ORG)	2
35	9007238	TERMINAL INSERT	8
36	9007880	CABLE TIE	2
37	9009139	TERMINAL PIN	3
38	9007302-10	TUBING, TEFLON CLEAR (#10 AWG)	1 FT
39	9107360-33	WIRE #18 AWG STRD (ORN)	1 FT
40	9107360-00	WIRE #18 AWG STRD (BLK)	1 FT
41	9107360-55	WIRE #18 AWG STRD (GRN)	1 FT
42	9107370-00	WIRE #14 AWG STRD (BLK)	5 FT
43	9107430-29	WIRE #18 AWG TWP RED & WHT	1 FT
44	9107765-55	WIRE #8 AWG STRD (GRN)	18 FT

TITLE REGULATED POWER SUPPLY  
 ASSY NO. E-UA-H761-0-0  
 SIZE CODE A PL H761-0-0  
 SHEET 2 OF 5  
 NUMBER  
 REV. A  
 ECO NO.

**DIGITAL EQUIPMENT CORPORATION**  
MAYNARD, MASSACHUSETTS

**PARTS LIST**

MADE BY K. GAMACHE  
 DATE 10/8/74  
 ENG *[Signature]*  
 DATE 1/19/74

CHECKED  
 DATE  
 PROD  
 DATE *Rafani 11-19-74*

SECTION  
 ISSUED SECT.

ITEM NO.	DWG NO. / PART NO.	DESCRIPTION	QUANTITY / VARIATION
45	9107765-66	WIRE, #8 AWG STRD (BLU)	33 FT
46	1212086-01	LUG, SOLDERLESS, RT ANGLE #8 AWG	8
47	1211515	LUG, SOLDERLESS, #8 AWG	48
48	9007031	CABLE TIE	63
49	D-IA-7411571-2-0	SUPPORT, REG. ASSY	2
50	9006021-4	SCR, SLOTTED BIND HD #6-32 X .31	8
51	9007928	LUG, SOLDERLESS	8
52	9107560-03	WIRE BUSS #18	5 FT
53	9107278-00	SLEEVING BLK #18	1 FT
54	1209379-00	TERMINAL, SKT CONTACT	2
55	1209350-03	CONN, 3 SKT HOUSING	1
56	9006240-9	SCR, HEX HD PLAIN 1/4-20 X .38	28
57	9006724	WASHER, EXT TOOTH LKG 1/4	28
58	A-DC-7409873-0-0	DECALS, POWER CONN.	1
59	9007033	TIE, CABLE	5
60	5308944-3	12 POINT DECALS (LETTERS)	1
61	5308943-1	12 POINT DECALS (NUMBERS)	1
62	9006035-1	SCR, PHL PAN HD #8-32 X .25	2
63	G8010-3	-5.2V CONTROL	3
64	G8011-1	-2.0V CONTROL	2
65	<del>D-CS-G8013-0-1</del>	<del>#10V REFERENCE</del>	<del>1</del>
66	D-CS-G8014-0-1	D.C. LOW VOLTAGE DETECTOR	1

ASSY NO. E-UA-H761-0-0  
 SIZE CODE A PL  
 H761-0-0  
 SHEET 3 OF 5  
 REV. ECO NO. A

TITLE  
 REGULATED POWER SUPPLY

**DIGITAL EQUIPMENT CORPORATION**  
MAYNARD, MASSACHUSETTS

**PARTS LIST**

MADE BY K. GAMACHE  
 DATE 10/8/74  
 ENG *[Signature]*  
 DATE 1/19/74

CHECKED  
 DATE  
 PROD  
 DATE *Rafani 11-19-74*

SECTION  
 ISSUED SECT.

ITEM NO.	DWG NO. / PART NO.	DESCRIPTION	QUANTITY / VARIATION
67	9006669	WASHER, FLAT .250 I.D.	20
68	5308754-3	21 POINT DECALS (NUMBERS)	1
69	5308754-5	21 POINT DECALS (NUMBERS)	1
70	<del>5308754-7</del>	<del>21 POINT DECALS (NUMBERS)</del>	<del>1</del>
71	<del>5308754-9</del>	<del>21 POINT DECALS (NUMBERS)</del>	<del>1</del>
72	<del>5308754-11</del>	<del>21 POINT DECALS (NUMBERS)</del>	<del>1</del>
73	<del>5308754-13</del>	<del>21 POINT DECALS (NUMBERS)</del>	<del>1</del>
74	<del>5308754-15</del>	<del>21 POINT DECALS (NUMBERS)</del>	<del>1</del>
75	5308754-19	21 POINT DECALS (WHT/CLR)	1
76	5308753-31	21 POINT DECALS (LETTERS)	1
77	5308753-3	21 POINT DECALS (LETTERS)	1
78	5308753-1	21 POINT DECALS (LETTERS)	1
79	5308753-23	21 POINT DECALS (LETTERS)	1
80	5308753-27	21 POINT DECALS (LETTERS)	1
81	9006660	WASHER, FLAT #8	6
82	5308944-5	12 POINT DECALS (LETTERS)	1
83	5308943-3	12 POINT DECALS (NUMBERS)	1
84	5308943-5	12 POINT DECALS (NUMBERS)	1
85	5308943-7	12 POINT DECALS (NUMBERS)	1
86	5308943-9	12 POINT DECALS (NUMBERS)	1
87	5308943-11	12 POINT DECALS (NUMBERS)	1
88	5308943-13	12 POINT DECALS (NUMBERS)	1

ASSY NO. E-UA-H761-0-0  
 SIZE CODE A PL  
 H761-0-0  
 SHEET 4 OF 5  
 REV. ECO NO. A

TITLE  
 REGULATED POWER SUPPLY





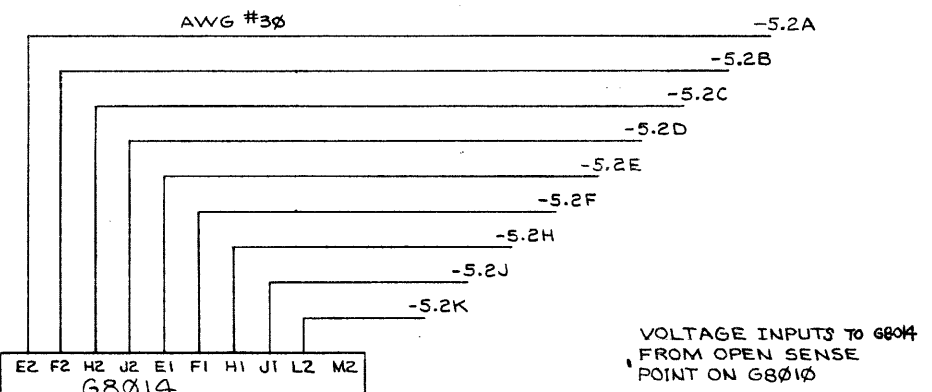
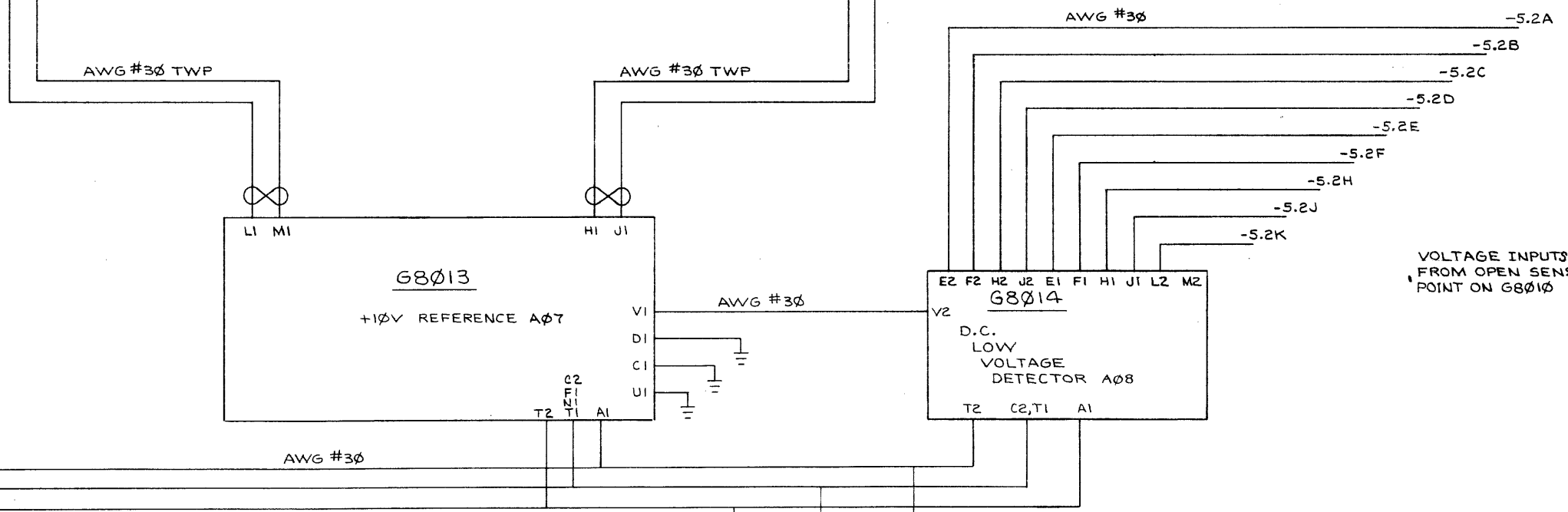
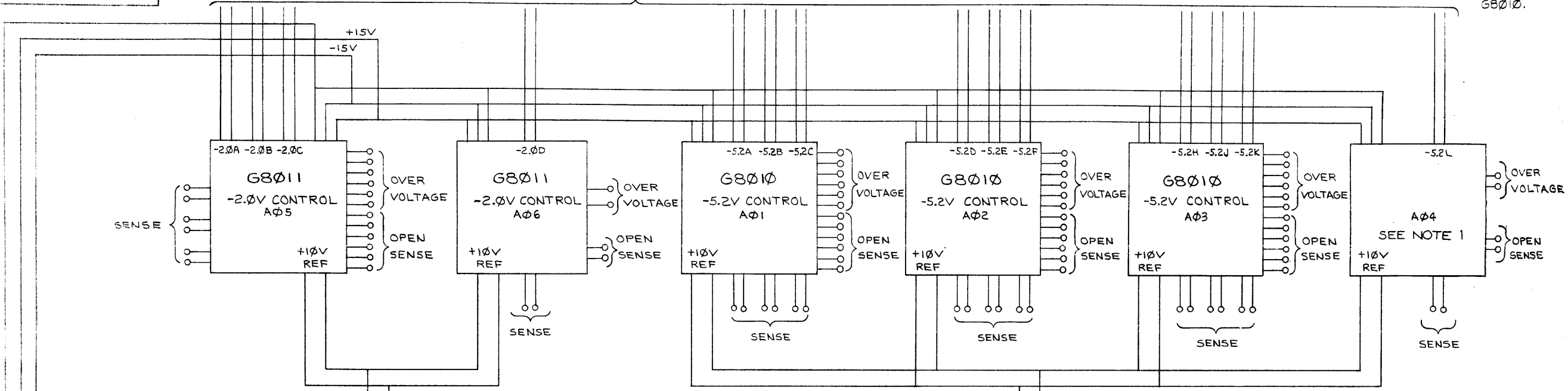


THIS DRAWING AND SPECIFICATIONS HEREIN ARE THE PROPERTY OF DIGITAL EQUIPMENT CORPORATION AND SHALL NOT BE REPRODUCED OR COPIED OR USED IN WHOLE OR IN PART AS THE BASIS FOR THE MANUFACTURE OR SALE OF ITEMS WITHOUT WRITTEN PERMISSION.  
 COPYRIGHT © 1975, DIGITAL EQUIPMENT CORPORATION

V  
 1-0-192H  
 D I C  
 2

NOTES:  
 1. WIRING TO A04 FOR SPARE  
 G8010. DO NOT PLUG IN  
 G8010.

SCR & DRIVE TO HEAT SINK ASSEMBLY

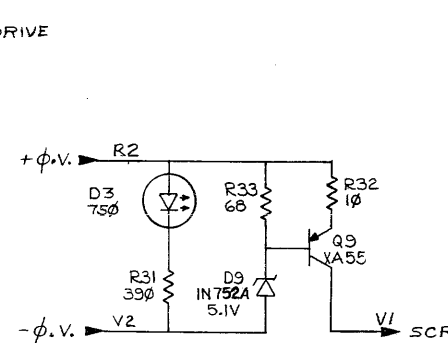
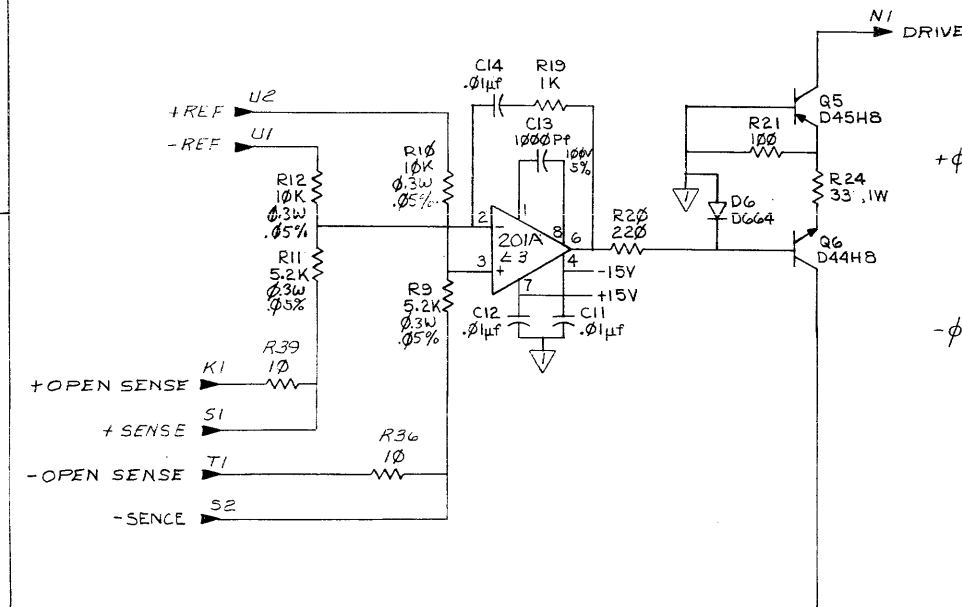
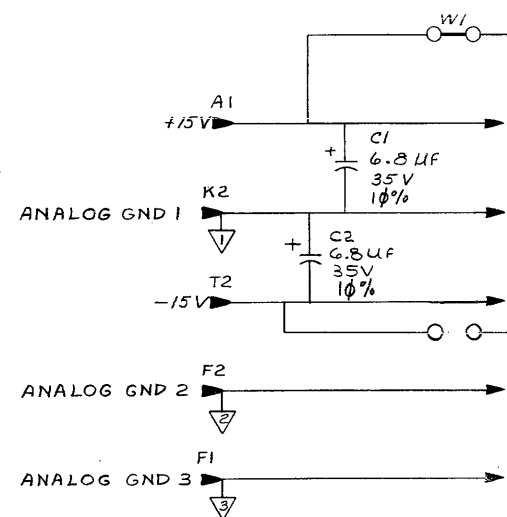
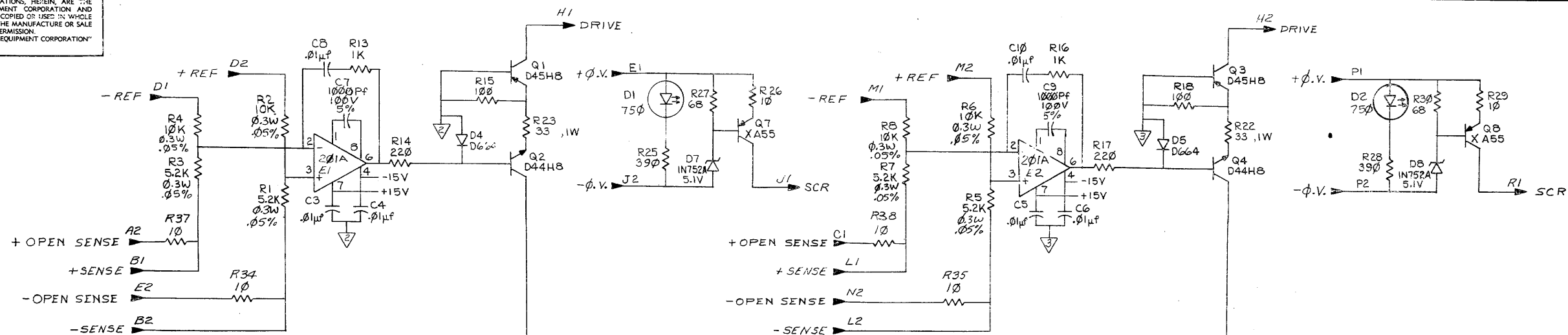


DRN: J. DREW  
 CHK: J. DREW  
 H761-00001 A  
 7-25-75

FIRST USED ON OPTION/MODEL	QTY.	DESCRIPTION	PART NO.	ITEM NO.
H761				
PARTS LIST				
UNLESS OTHERWISE SPECIFIED DIMENSION IN INCHES	DRN: J. DREW	DATE: 6/28/73		
TOLERANCES	CHK'D: J. DREW	DATE: 9/18/73		
DECIMALS: .xxx = .005	ENGR: J. DREW	DATE: 1/17/74	TITLE <b>CONTROL LOGIC</b>	
ANGLES: .xx = .02	PROD. ENG: J. DREW	DATE: 2-7-75		
.x = .1	REMOVE BURRS AND BREAK SHARP CORNERS SURFACE QUALITY V	PROD. P. B. B. B.	SIZE CODE: D I C NUMBER: H761-0-1 REV. A	
MATERIAL	NEXT HIGHER ASSY.	SCALE	SHEET 1 OF 1	
FINISH				

REV. A  
 NUMBER  
 H761-0-1  
 SIZE CODE  
 D I C  
 B

"THIS DRAWING AND SPECIFICATIONS, HEREIN, ARE THE PROPERTY OF DIGITAL EQUIPMENT CORPORATION AND SHALL NOT BE REPRODUCED OR COPIED OR USED IN WHOLE OR IN PART AS THE BASIS FOR THE MANUFACTURE OR SALE OF ITEMS WITHOUT WRITTEN PERMISSION. COPYRIGHT ©1973 DIGITAL EQUIPMENT CORPORATION"



NOTES: 1. UNLESS OTHERWISE SPECIFIED:  
A. RESISTORS ARE 1/4W ±5% RESISTANCE IN OHMS.  
B. CAPACITORS ARE 50V, ±20%

REV	DATE	BY
1	7-17-74	J.DREW
2	7-17-74	J.DREW

DRN	B.BALENTINE	DATE	3-5-73	TITLE		FIRST USED ON	KL10
CHKD	F.CANBERRY	DATE	9-20-73			NEXT HIGHER	
ENG	J.DREW	DATE	7-17-74			ASSEMBLY	
PRJ	J.DREW	DATE	7-17-74			NUMBER	
PRD	P.I.C.G.A.	DATE	7-17-74	SCALE	1/1	SHEET	OF
						DIST.	
						REV.	B

-5.2 VOLT CONTROL

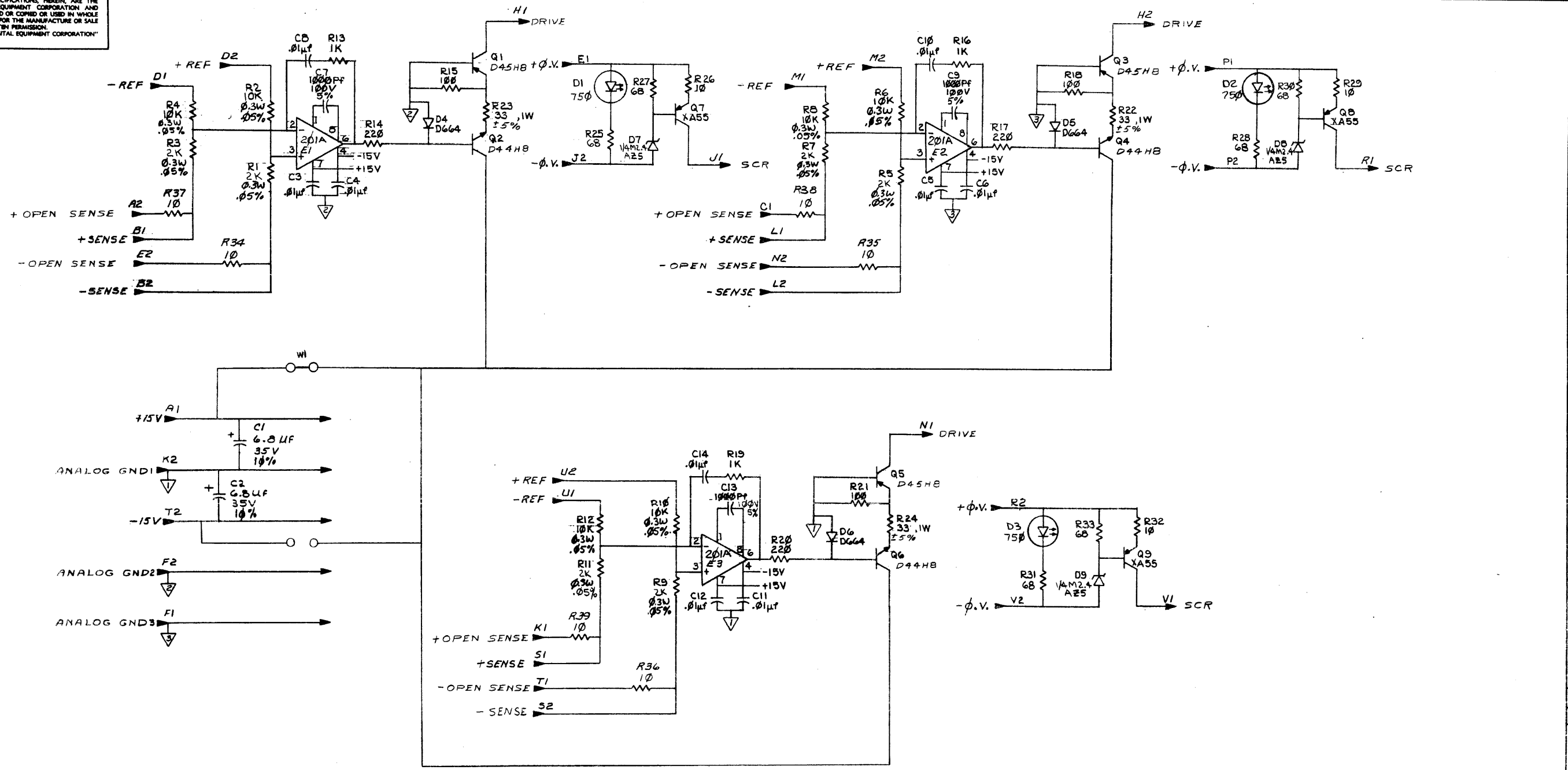
D CS G8010-0-1

REV B  
NUMBER D CS G8010-0-1

"THIS DRAWING AND SPECIFICATIONS HEREIN ARE THE PROPERTY OF DIGITAL EQUIPMENT CORPORATION AND SHALL NOT BE REPRODUCED OR COPIED OR USED IN WHOLE OR IN PART AS THE BASIS FOR THE MANUFACTURE OR SALE OF ITEMS WITHOUT WRITTEN PERMISSION. COPYRIGHT © 1973 DIGITAL EQUIPMENT CORPORATION"

8 1-0-11089 DCS 2

D  
C  
B  
A



REVISED TO "C" LEVEL  
 FCO G8011 R0003  
 11/70  
 See Bulletin 2-78  
 CHECK IF DONE

NOTES: 1. UNLESS OTHERWISE SPECIFIED:  
 A. RESISTANCE IS IN OHMS  
 B. ALL RESISTORS ARE 1/4W, ±5%  
 C. ALL CAPACITORS ARE 50V, ±20%

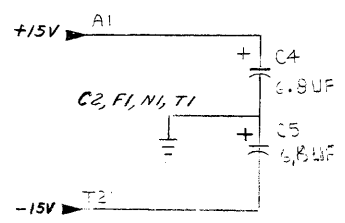
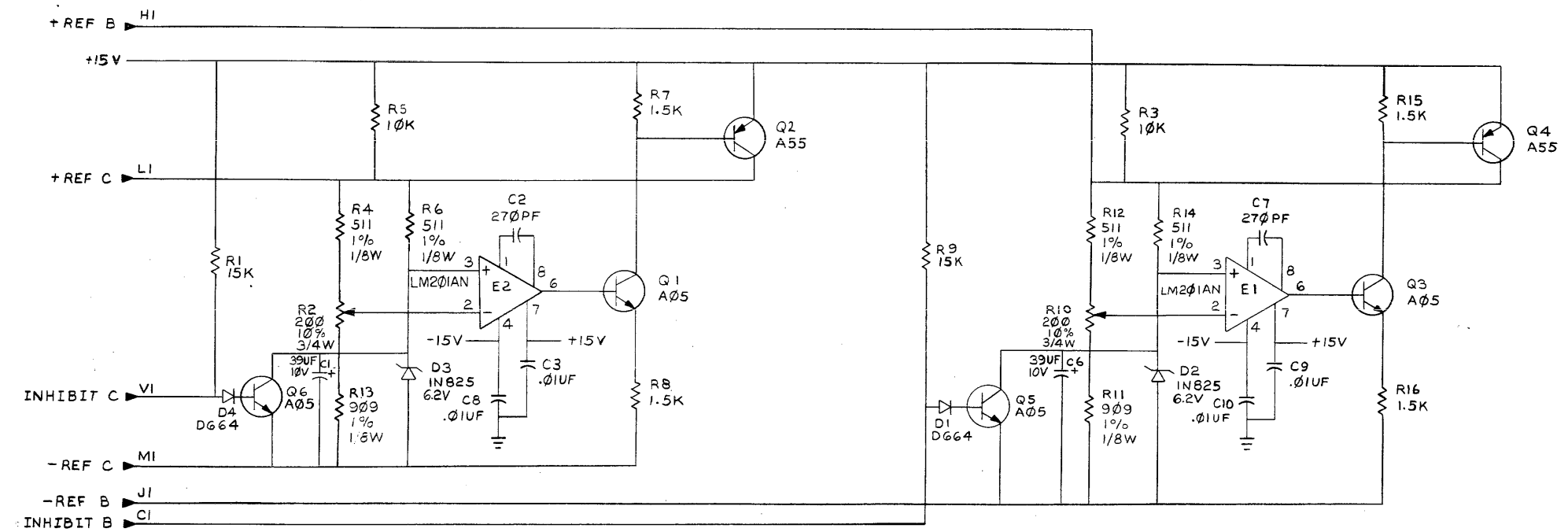
REVISIONS		
CHK	CHANGE NO.	REV.
J	G8011-00001	B
J	3-26-75	
J	J. DREW	

DRN	DUGGAN	DATE	4-5-73	FIRST USED ON	KL10
CHKD	P. BOSSMAN	DATE	10-25-73	NEXT HIGHER	
ENG	J. DREW	DATE	7-17-73	ASSEMBLY:	
PROJ ENG	J. DREW	DATE	7-17-73	SIZE CODE	NUMBER
PROD	J. RECEK	DATE	7-17-73	D	CS G8011-0-1
SCALE				SHEET	OF
				DIST.	

-2 VOLT CONTROL

REV B  
 DCS G8011-0-1  
 B  
 A

"THIS DRAWING AND SPECIFICATIONS, HEREIN, ARE THE PROPERTY OF DIGITAL EQUIPMENT CORPORATION AND SHALL NOT BE REPRODUCED OR COPIED OR USED IN WHOLE OR IN PART AS THE BASIS FOR THE MANUFACTURE OR SALE OF ITEMS WITHOUT WRITTEN PERMISSION. COPYRIGHT © 1975, DIGITAL EQUIPMENT CORPORATION"



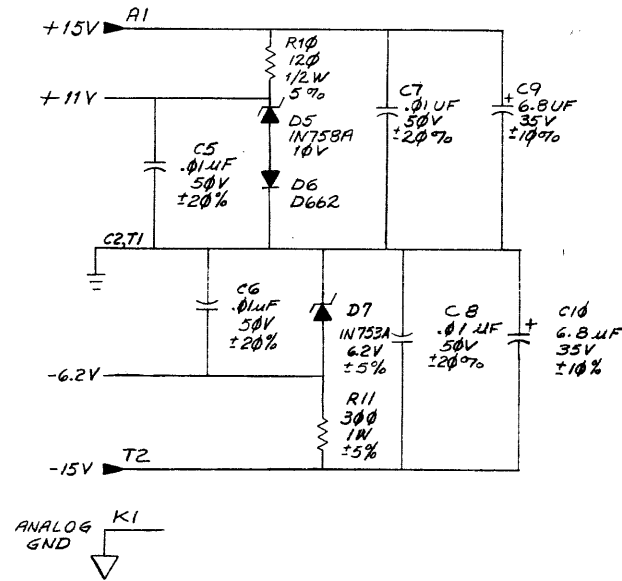
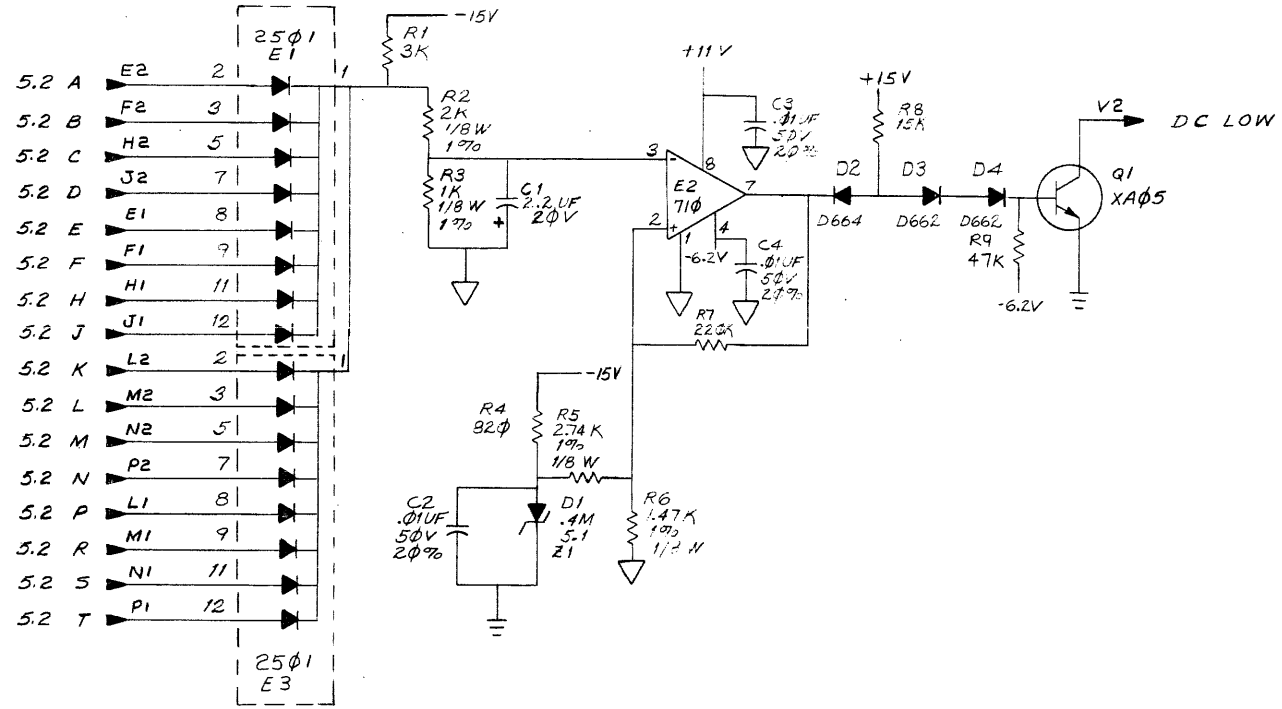
REVISIONS		
CHK	CHANGE NO.	REV.
14	68013-00001	B
B Chapter 4-16-75		
J DREW		

DRN	DATE	CHK'D	DATE	ENG	DATE	PROJ ENG	DATE	PROD	DATE
H.DENSMORE	4-10-75								

TITLE	SIZE CODE	NUMBER	REV.
+10V REFERENCE	D CS	68013-0-1	B

THIS DRAWING AND SPECIFICATIONS HEREIN ARE THE PROPERTY OF DIGITAL EQUIPMENT CORPORATION AND SHALL NOT BE REPRODUCED OR COPIED IN WHOLE OR IN PART AS THE BASIS FOR THE MANUFACTURE OR SALE OF ITEMS WITHOUT WRITTEN PERMISSION. COPYRIGHT © 1973 DIGITAL EQUIPMENT CORPORATION.



REVISIONS		
CHK	CHANGE NO.	REV.
J. DREW	G8014-00001	B
	3/3/73	

DRN. B. NICHOL	DATE 7-23-73	ENG. JIM DREW
CHK'D	DATE 10/2/73	NEXT HIGHER ASSY. B-DD-G8014-0-0
TITLE LOW VOLTAGE DETECTOR		SIZE CODE DCS
SCALE		NUMBER G8014-0-1
SHEET 1 OF 1		REV. B

DCS G8014-0-1-B  
 10/2/73









THIS DRAWING AND SPECIFICATIONS, HEREIN, ARE THE PROPERTY OF MEDICAL EQUIPMENT COMPANY AND SHALL NOT BE REPRODUCED OR COPIED IN WHOLE OR IN PART AS THE BASIS FOR THE CONSTRUCTION OR SALE OF THIS EQUIPMENT WITHOUT PERMISSION.  
COPYRIGHT © 1973, MEDICAL EQUIPMENT COMPANY

WIRE TABLE								WIRE TABLE							
ITEM NO.	DESCRIPTION	FROM	TO	REMARKS	ITEM NO.	DESCRIPTION	FROM	TO	REMARKS						
NO.	AWG.	COLOR	CONN	WITH	CONN	WITH	CONN	WITH	CONN	WITH	REMARKS				
40	14	GRN	PC1-2	37	Q1-3	SOLD	40	14	GRN	PC2-2	37	Q9-3	SOLD		
			PC1-3	37	Q2-3	SOLD				PC2-3	37	Q10-3	SOLD		
			Q3-1	SOLD	Q4-1	SOLD				Q11-1	SOLD	Q12-1	SOLD		
			Q5-1	SOLD	Q6-1	SOLD				Q13-1	SOLD	Q14-1	SOLD		
			Q7-1	SOLD	Q8-1	SOLD				Q15-1	SOLD	Q16-1	SOLD		
40	14	GRN	PC1-4	37	D1-1	SOLD	40	14	GRN	PC2-4	37	D2-1	SOLD		
41	18	GRN	PC1-5	37	D1-3	SOLD	41	18	GRN	PC2-5	37	D2-3	SOLD		
46	18	BRN	PC1-6	37	Q1-2	SOLD	43	18	RED	PC2-6	37	J2-2	12		
40	14	GRN	PC1-7	37	Q2-1	SOLD	40	14	GRN	PC2-7	37	Q9-2	SOLD		
40	14	GRN	PC1-8	37	J1-1	12	40	14	GRN	PC2-8	37	Q10-1	SOLD		
41	18	GRN	PC1-9	37	Q1-1		41	18	GRN	PC2-9	37	J2-1	12		
47	18	GRY/BRN	PC1-10	37	Q3-3		42	18	GRY/RED	PC2-10	37	Q10-2	SOLD		
40	14	GRN	PC1-11	37	Q4-3		40	14	GRN	PC2-11	37	Q9-1			
			PC1-12	37	Q5-3					PC2-12	37	Q11-3			
			PC1-17	37	Q6-3					PC2-13	37	Q12-3			
			PC1-18	37	Q7-3					PC2-14	37	Q13-3			
			PC1-19	37	Q8-3	SOLD				PC2-15	37	Q14-3			
			PC1-13	37	TB1-4	36				PC2-16	37	Q15-3			
			PC1-14	37	TB1-3	36				PC2-17	37	Q16-3	SOLD		
			PC1-15	37	TB1-2	36				PC2-18	37	Q15-3			
40	14	GRN	PC1-16	37	TB1-1	36				PC2-19	37	TB2-1	36		
						SOLD				PC2-20	37	TB2-2	36		
										PC2-21	37	TB2-3	36		
44	14	BLK	PC1-1	56	D1-2	12	44	14	BLK	PC2-1	56	TB2-4	36		
					J1-3							D2-2	SOLD		
45	10	RED	BB-A	14.39	BB-B	14.39						J2-3	12		
45	10	RED	BB-C	14.39	BB-D	14.39									

REVISIONS		
CHK	CHANGE NO.	REV.

REGULATED H.S. ASSY. (2.0V)  
 E AP 7009404.00  
 1/1 2+2

7009404.00

**DIGITAL EQUIPMENT CORPORATION**  
MAYNARD, MASSACHUSETTS  
**PARTS LIST**

MADE BY	K. GAMACHE	CHECKED	D. HEALY	SECTION	1
DATE	12/21/73	DATE	1/2/74	ISSUED SECT.	1
ENG	JIM DREW	PROD	R. O'BRIEN		
DATE	9/7/74	DATE	9/6/74		

ITEM NO.	DWG NO. / PART NO.	DESCRIPTION	QUANTITY / VARIATION
REF	D-CS-H761-0-1	CIRCUIT SCHEMATIC H761	
1	1211480	HEAT SINK	x
2	D-IA-7411262-0-0	MTG PLATE, HEAT SINK	1
3	D-IA-7411000-0-0	SUPPORT, HEAT SINK	1
4	C-IA-7410999-0-0	RET. BRKT., HEAT SINK	1
5	C-IA-7411136-1-0	BUSSING STRIP NO. 1	2
6	C-IA-7411137-1-0	BUSSING STRIP NO. 2	1
7	C-IA-7411136-2-0	BUSSING STRIP NO. 1	2
8	E-IA-7411001-0-0	BRACKET, FAN	1
9	B-MD-7411295-0-0	STANDOFF BUSSING	14
10	1209350-06	CONN., 6 SKT HOUSING	2
11			
12	1209379-00	SOCKET, MAT-N-LOCK	6
13	1210930-01	FAN, SUPER BOXER	1
14	9007926-01	CONN. SOLDERLESS YEL #10	4
15	9007031	CABLE TIE, 3-3/4 LG x 3/32 WIDE	6
16	1203346	TERMINAL BLOCK 4 TERM	2
17			
18			
19	9009648-8	SCR, SOCKET HD CAP #6-32 x 1.38	14
20	9006331-8	SCR, SOCKET HD CAP #6-32 x .62	18
21			

TITLE	REGULATED HEAT SINK ASSY	ASSY NO.	D-UA-7009404-0-0	SIZE CODE	A PL	NUMBER	7009404-0-0	REV.	A	ECO NO.	7009404
	-2.0V		SHEET 1	OF 3	DIST.						00001

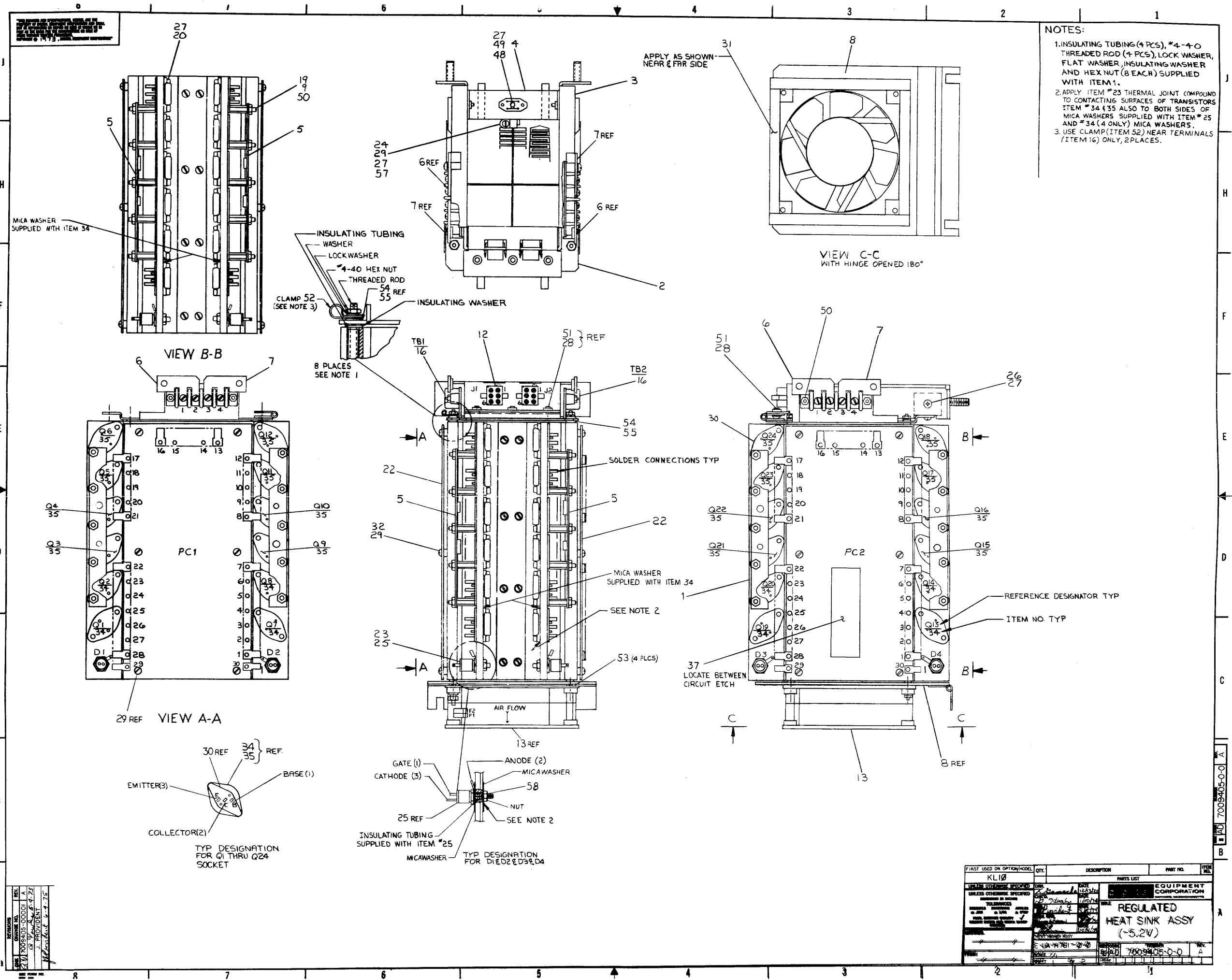
**DIGITAL EQUIPMENT CORPORATION**  
MAYNARD, MASSACHUSETTS  
**PARTS LIST**

MADE BY	K. GAMACHE	CHECKED	D. HEALY	SECTION	1
DATE	12/21/73	DATE	1/2/74	ISSUED SECT.	1
ENG		PROD	<i>Rothman</i>		
DATE		DATE	9-6-74		

ITEM NO.	DWG NO. / PART NO.	DESCRIPTION	QUANTITY / VARIATION
22	D-CS-5410663-0-1	-2.0V BOARD	2
23	9008268	COMPOUND THERMAL JOINT	10E
24	9008185	NUT, KEPS #6-32, .25 A.F.X.12 THK	18
25	1111481	RECTIFIER	2
26	9006021-1	SCR. PHL PAN HD #6-32 x .31	2
27	9006633	WASHER, LOCK INT. TOOTH #6	21
28	C-IA-7411137-2-0	BUSSING STRIP #2	1
29	9008201-1	SCR. SLOT. HD PAN SH. METAL #6 x .38	12
30	1210130	SOCKET, TRANSISTOR	16
31	9008274	TAPE, POLY.ADH.BACK .38W X .03 THK	4 FT
32	9009283	SPACER, .25 A.F. x .12 LG x #6 HOLE	12
33	9009002	JUMPER	4
34	1503068	TRANSISTOR, DEC 3715	4
35	1509730	TRANSISTOR, 2N5301	12
36	9007928-0	CONN. SOLDERLESS BLUE #14	8
37	9007969	CONN. SOLDERLESS BLUE #14	36
38	9007970	CONN. SOLDERLESS RED #18	2
39	9006070-1	SCR. PHL PAN HD #10-32 x .31	4
40	9107370-55	#14 AWG WIRE STRD INS (GREEN)	13 FT
41	9107360-55	#18 AWG WIRE STRD INS (GREEN)	1 FT
42	9107410-82	#18 AWG WIRE STRD INS GRY/RED	2 FT
43	9107360-22	#18 AWG WIRE STRD INS RED	2 FT

TITLE	REGULATED HEAT SINK ASSY	ASSY NO.	D-UA-7009404-0-0	SIZE CODE	A PL	NUMBER	7009404-0-0	REV.	A	ECO NO.	
	-2.0V		SHEET 2	OF 3	DIST.						





REVISIONS

NO.	DATE	DESCRIPTION
1	6-4-75	ISSUED FOR PRODUCTION

REV.	DATE	DESCRIPTION
1	6-4-75	ISSUED FOR PRODUCTION

REV.	DATE	DESCRIPTION	QTY.	DESCRIPTION	PART NO.	ITEM NO.
1	6-4-75	ISSUED FOR PRODUCTION		REGULATED HEAT SINK ASSY (-5.2V)	7008405-0-0	A

THIS DRAWING AND SPECIFICATIONS, HEREIN, ARE THE PROPERTY OF DIGITAL EQUIPMENT CORPORATION AND SHALL NOT BE REPRODUCED OR COPIED IN ANY MANNER OR IN ANY FORM WITHOUT THE EXPRESS WRITTEN PERMISSION OF DIGITAL EQUIPMENT CORPORATION © 1974

WIRE TABLE						WIRE TABLE							
ITEM NO.	DESCRIPTION	FROM	TO	REMARKS	ITEM NO.	DESCRIPTION	FROM	TO	REMARKS				
AWG.	COLOR	CONN.	WITH	CONN.	WITH	AWG.	COLOR	CONN.	WITH				
39	14	GRY	PC1-28	36	01-3	SOLD	39	14	GRY	PC2-28	36	019-3	SOLD
			PC1-27	36	02-3					PC2-27	36	020-3	
										Q21-1		022-1	
			03-1							Q23-1		024-1	
			05-1										
38	14	GRY	PC1-25	36	01-3	SOLD	38	14	GRY	PC2-25	36	03-3	SOLD
42	18	Y10	PC1-26	36	11-5	12	42	18	Y10	PC2-26	36	12-2	12
41		GRY			01-1	SOLD	41		GRY			03-1	SOLD
45		GRY/Y10			11-4	12	45		GRY/Y10			12-1	12
41		GRY	PC1-23	36	02-1	SOLD	41		GRY	PC2-23	36	020-1	SOLD
41	18				02-1	SOLD	41	18				019-2	
38	14		PC1-22	36	03-2		38	14		PC2-22	36	Q21-2	
			PC1-24		Q2-2					PC2-24		Q20-2	
			PC1-21		01-1					PC2-21		019-1	
			PC1-20		03-3					PC2-20		Q21-3	
			PC1-19		04-3					PC2-19		Q22-3	
			PC1-18		05-3					PC2-18		Q23-3	
38		GRY	PC1-17	36	06-3	SOLD	38		GRY	PC2-17	36	Q24-3	SOLD
<del>40</del>		<del>BLK</del>	<del>01-2</del>	<del>SOLD</del>	<del>11-6</del>	<del>12</del>	<del>40</del>		<del>BLK</del>	<del>02-2</del>	<del>SOLD</del>	<del>12-3</del>	<del>12</del>
38		GRY	TB1-1	14	PC1-16	33	38		GRY	TB2-1	14	PC2-16	33
38		GRY	TB1-2	14	PC1-15	33	38		GRY	TB2-2	14	PC2-15	33
39		GRN	TB1-3	14	PC1-14	33	39		GRN	TB2-3	14	PC2-14	33
			TB1-4	14	PC1-13	33				TB2-4	14	PC2-13	33
			PC1-1	36	07-3	SOLD				PC2-1	36	013-3	SOLD
			PC1-2	36	08-3					PC2-2	36	014-3	
			08-3	SOLD	09-1					Q15-1		016-1	
			Q10-1										
			Q12-1	SOLD	Q11-1					Q17-1		Q18-1	
39	14	GRN	PC1-4	36	02-3	SOLD	39	14	GRN	PC2-4	36	04-3	SOLD
44	18	WHT	PC1-3	36	11-2	12	44	18	WHT	PC2-3	36	12-5	12
43		GRN			02-1	SOLD	43		GRN			04-1	SOLD
46		GRY/WHT	PC1-8	36	11-1	12	46		GRY/WHT	PC2-6	36	12-4	12
43		GRN			08-1	SOLD	43		GRN			014-1	SOLD
43	18		08-1	SOLD	07-2		43	18		Q13-2	SOLD		
39	14		PC1-7	36	Q9-2		39	14		PC2-5	36	Q14-2	
			PC1-5		Q8-2					PC2-7		Q15-2	
			PC1-8		07-1					PC2-8		Q13-1	
			PC1-9		09-3					PC2-9		Q15-3	
			PC1-10		010-3					PC2-10		Q16-3	
			PC1-11		011-3					PC2-11		Q17-3	
39		GRN	PC1-12	36	Q12-3	SOLD	39		GRN	PC2-12	36	Q18-3	SOLD
40		BLK	PC1-30	33	D2-2	SOLD	40		BLK	PC2-30	33	D4-2	SOLD
					J1-3	12						J2-6	12
			PC1-29	33	D1-2	SOLD				PC2-29	33	D5-2	SOLD
40	14	BLK	J1-6	12			40	14	BLK	J2-3	12		

J  
H  
F  
E  
D  
C  
B  
A

J  
H  
F  
E  
D  
C  
B  
A

REVISIONS		
CHK	CHANGE NO.	REV.

TITLE REGULATED H.S. ASSY.  
(-5.2V)  
SCALE 1/1 SHEET 2 OF 2  
REV E AD 7009405-0-0

**DIGITAL EQUIPMENT CORPORATION**  
MAYNARD, MASSACHUSETTS  
**PARTS LIST**

MADE BY K. GAMACHE  
DATE 12/13/73  
ENG J. DREW  
DATE 9/19/74  
CHECKED D. HEALY  
DATE 1/7/74  
PROD R. O'BRIEN  
DATE 10/9/74  
SECTION 1  
ISSUED SECT. 1

ITEM NO.	DWG NO. / PART NO.	DESCRIPTION	SECTION
REF	D-CS-H761-Ø-1	CIRCUIT SCHEMATIC H761	
1	1211480	HEAT SINK	
2	D-IA-7411262-0-0	MTG. PLATE, HEAT SINK	
3	D-IA-7411000-0-0	SUPPORT, HEAT SINK	
4	C-IA-7410999-0-0	RET. BRKT., HEAT SINK	
5	C-IA-7411136-3-0	BUSSING STRIP NO. 1	
6	C-IA-7411137-1-0	BUSSING STRIP NO. 2	
7	C-IA-7411137-2-0	BUSSING STRIP NO. 2	
8	E-IA-7411001-0-0	BRACKET, FAN	
9	B-MD-7411295-0-0	STANDOFF, BUSSING	
10	1209350-06	CONN., 6 SKT HOUSING	
11			
12	1209379-02	SOCKET, MAT-N-LOCK	
13	1210930-01	FAN, SUPER BOXER	
14	9007926-01	CONN. CRIMP SOLDERLESS YEL #10	
15	9007031	CABLE TIE 3.75 LG X .09 WIDE	
16	1203346	TERM BLOCK, 4 TERM	
17			
18			
19	9009648-8	SCR, SOCKET HD CAP #6-32 x 1.38	
20	9006331-8	SCR, SOCKET HD CAP #6-32 x .62	
21			

TITLE REGULATED HEAT SINK ASSY  
-5.2V

ASSY NO.  
D-UA-7009405-0-0

SIZE CODE  
**A PL**

NUMBER  
7009405-0-0

REV. ECO NO.  
A 7009405  
000001

DEC FORM DEC 16 (325)-1031-N870  
DRA 110

**DIGITAL EQUIPMENT CORPORATION**  
MAYNARD, MASSACHUSETTS  
**PARTS LIST**

MADE BY K. GAMACHE  
DATE 12/13/73  
ENG J. DREW  
DATE 9/19/74  
CHECKED D. HEALY  
DATE 1/7/74  
PROD R. O'BRIEN  
DATE 10/9/74  
SECTION 1  
ISSUED SECT. 1

ITEM NO.	DWG NO. / PART NO.	DESCRIPTION	SECTION
22	D-CS-5410665-0-0	-5.2V BOARD	
23	9008268	COMPOUND THERMAL JOINT	
24	9007081	CABLE CLAMP .25 I.D.	
25	1111481	RECTIFIER	
26	9006021-1	SCR. PHL PAN HD #6-32 x .31	
27	9006633	WASHER, LOCK INT. TOOTH #6	
28	9006037-1	SCR PHL HD PAN #8-32 x .38	
29	9008201-1	SCR. SLOT. HD PAN, SH METAL #6 x .38	
30	1210130	SOCKET, TRANSISTOR	
31	9008274	TAPE, POLY. ADH. BACK .38W x .38 THK	
32	9009283	SPACER, .25 A.F.X.12 LG X #6 HOLE	
33	9007920-00	CONN. SOLDERLESS YEL #10	
34	1503068	TRANSISTOR DEC 3715	
35	1509730	TRANSISTOR, DEC 5301	
36	9007969	CONN. SOLDERLESS BLU #14	
37	9009255	LABEL, ADHESIVE BACK	
38	9107370-88	#14 AWG WIRE STRD INS. (GRY)	
39	9107370-55	#14 AWG WIRE STRD INS. (GRN)	
40	9107370-00	#14 AWG WIRE STRD INS. (BLK)	
41	9107360-88	#18 AWG WIRE STRD INS. (GRY)	
42	9107360-77	#18 AWG WIRE STRD INS. (VIO)	
43	9107360-55	#18 AWG WIRE STRD INS. (GRN)	

TITLE REGULATED HEAT SINK ASSY  
-5.2V

ASSY NO.  
D-UA-7009405-0-0

SIZE CODE  
**A PL**

NUMBER  
7009405-0-0

REV. ECO NO.  
A

DEC FORM DEC 16 (325)-1031-N870  
DRA 110

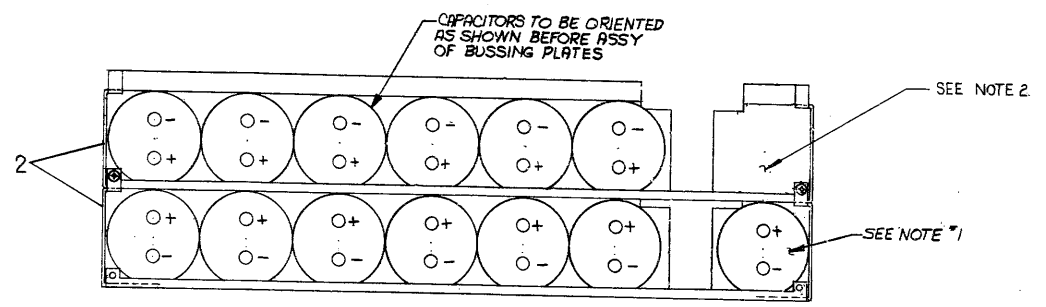
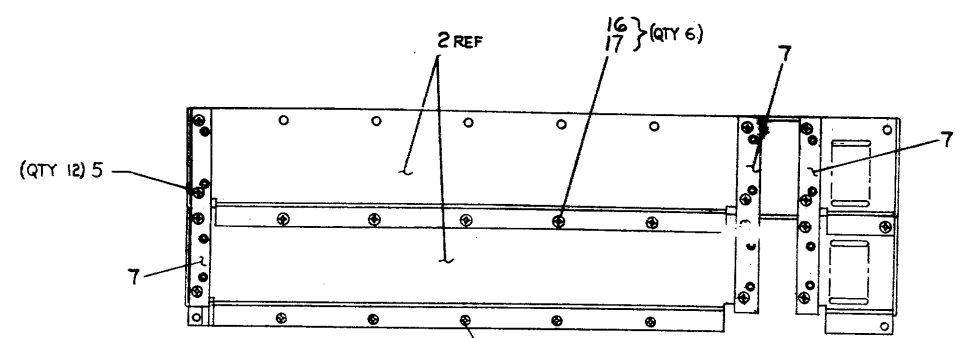




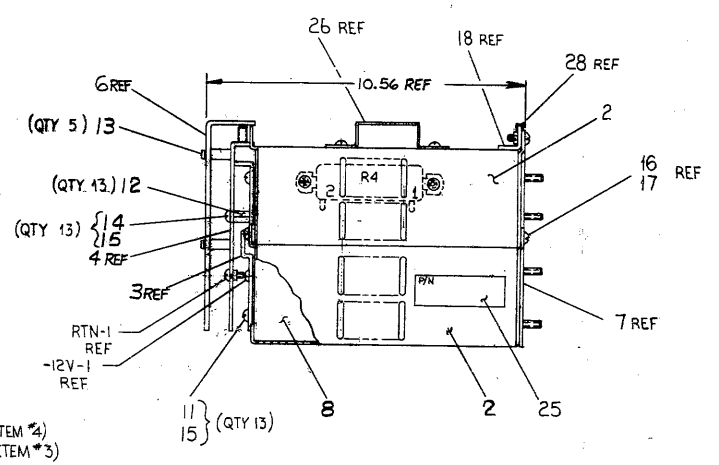
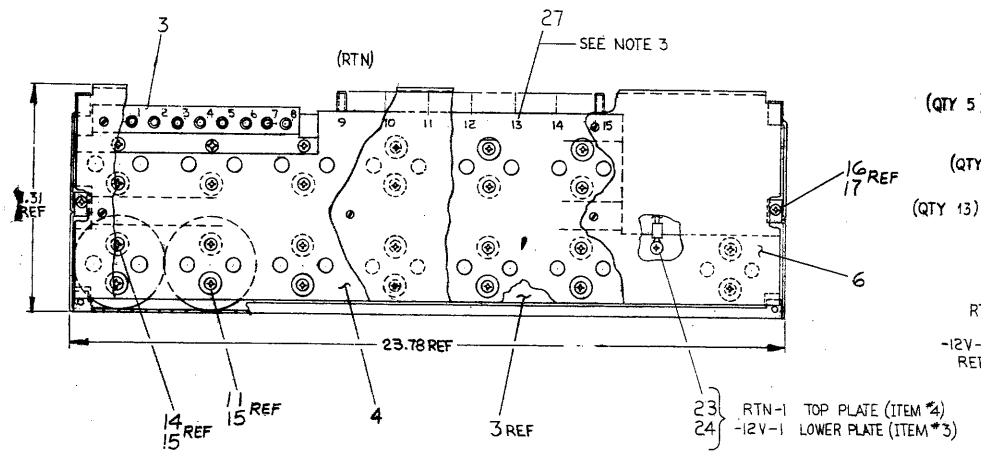
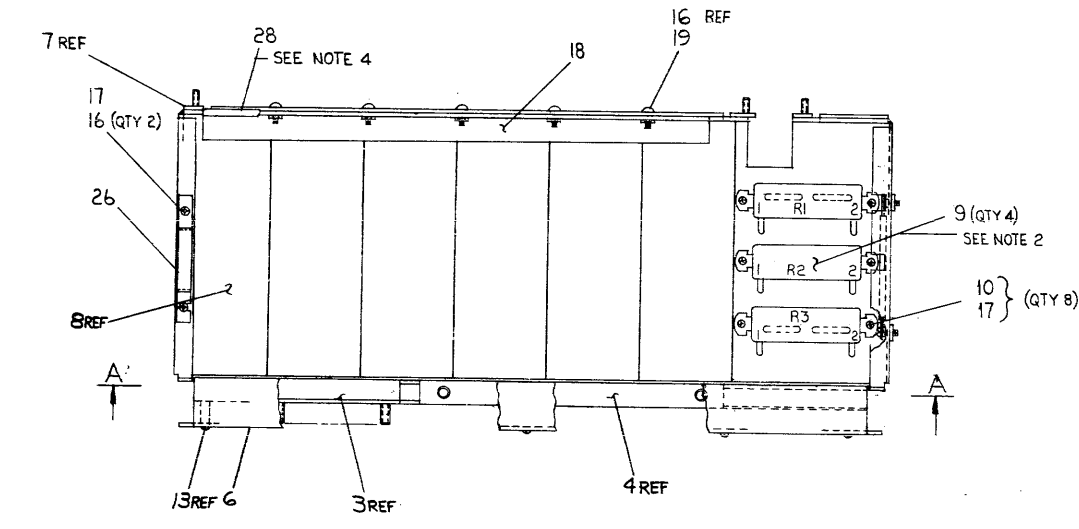
PROPERTY OF MILITARY AERONAUTICAL ESTABLISHMENT AND SHALL NOT BE REPRODUCED OR COPIED OR USED IN WHOLE OR IN PART AS THE BASIS FOR THE MANUFACTURE OR SALE OF ITEMS WITHOUT THE WRITTEN PERMISSION OF THE COMMANDING OFFICER, CRYSTA, AIRTEL, SCHEMATIC CONDUCTOR

ITEM NO.	DESCRIPTION	FROM		TO		LENGTH (INCHES)		
		AWG	COLOR	CONNECTION	TERM		CONNECTION	TERM
20	14 RED			R1-1	SOLDER	R4-1	SOLDER	5.00
20	14 RED			R3-1		R2-1	SOLDER	3.75
21	14 BLK			R2-2		-12V-1	ITEM #22	4.00
21	14 BLK			R3-2	SOLDER	R1-2	SOLDER	3.75
						R4-2	SOLDER	2.00
						RTN-1	ITEM #22	2.25
								6.00

- NOTES:
1. CAPACITORS (ITEM #8) MUST BE PLACED IN BOX BEFORE ASSY
  2. RESISTORS ITEM #9 TO BE MTD IN UPPER BOX ONLY.
  3. PLACE DECALS (ITEM #27) APPROX. WERE SHOWN ON BUSSING PLATES (ITEM #3 & 4).
  4. INSTALL ITEM #28 ON ITEM #18 AS SHOWN.



VIEW A-A  
BUSSING PLATES REMOVED  
FOR CLARITY



QTY.	DESCRIPTION	PART NO.	ITEM NO.
16 IN	GROMMET	9007046	28
1	DECAL, 21 POINT	B-DC-5303754-0-0	27
1	STRAIN RELIEF, CABLE	B-MD-7410944-0-0	26
1	LABEL, ADHESIVE BACKED	9009255	25
2	WASHER, INT TOOTH #6	9006633	24
2	SCR. PHL PAN HD #6-32 x .38	9006022-1	23
2	TERMINAL, RECT. TONGUE	9007634	22
2 FT	14 AWG WIRE STRANDED BLK	9007370-0C	21
2 FT	14 AWG WIRE STRANDED RED	9007370-22	20
5	NUT, KEPS #8-32	9006563	19
1	HOLD DOWN CAPACITOR	C-1A-7412340-0-0	18
18	WASH. INT TOOTH #8	9006634	17
15	SCR. PHL PAN HD #8-32 x .38	9006037-1	16
26	WASH. INT TOOTH #10	9006635	15
13	SCR. PHL PAN HD #10-32 x .75	9006075-1	14
5	SCR. SLOTTED PAN. #10-32 X .50	9008206-1	13
13	STANDOFF, WIRE-POWALE	B-MD-7412614-0-0	12
13	SCR. PHL PAN HD #10-32 X .31	9006070-1	11
8	SCR. PHL PAN HD #8-32 x .75	9006041-1	10
4	RESISTOR 4 OHMS 55W	1300158	9
13	CAP. 300,000 MFD 15V	1041479	8
3	PLATE, MTS	CIP-7411825-0-0	7
1	PROTECTION PLATE	CMD-7411873-0-0	6
12	SCR. PHL FLAT HD #6-32 x .38	9006037-2	5
1	BUSSING PLATE, TOP	D-IR-7411869-0-0	4
1	BUSSING PLATE	D-IR-7411867-0-0	3
2	BOX CAPACITOR	E-IR-7411731-0-0	2
REF	CIRCUIT SCHEMATIC	D-CS-7009878-0-1	1

FIRST USED ON OPTION MODEL

KL10

DATE: 2-26-74

SCALE: 1/2

TITLE: CAPACITOR BOX ASSY

NUMBER: EAD 7009878-0-0

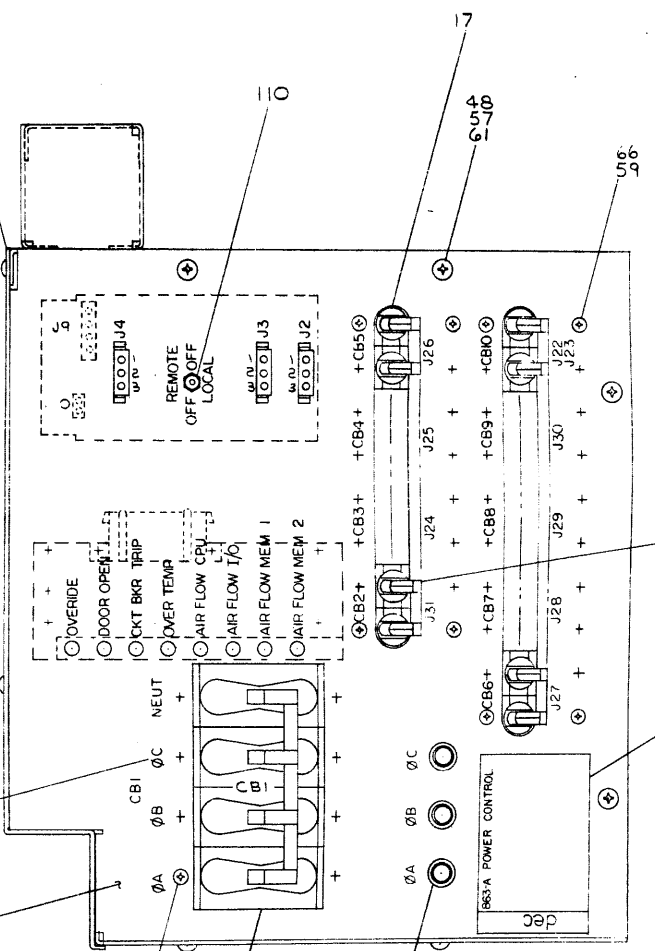
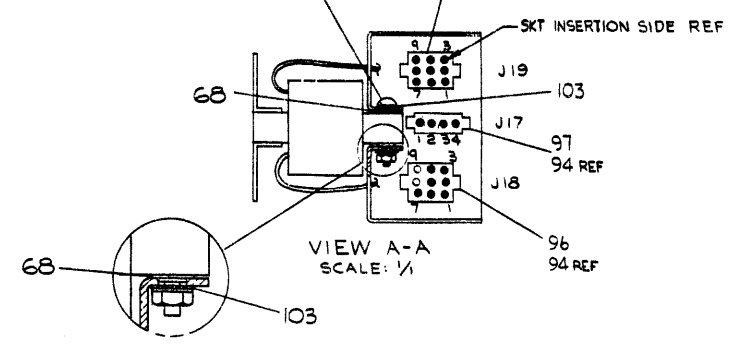
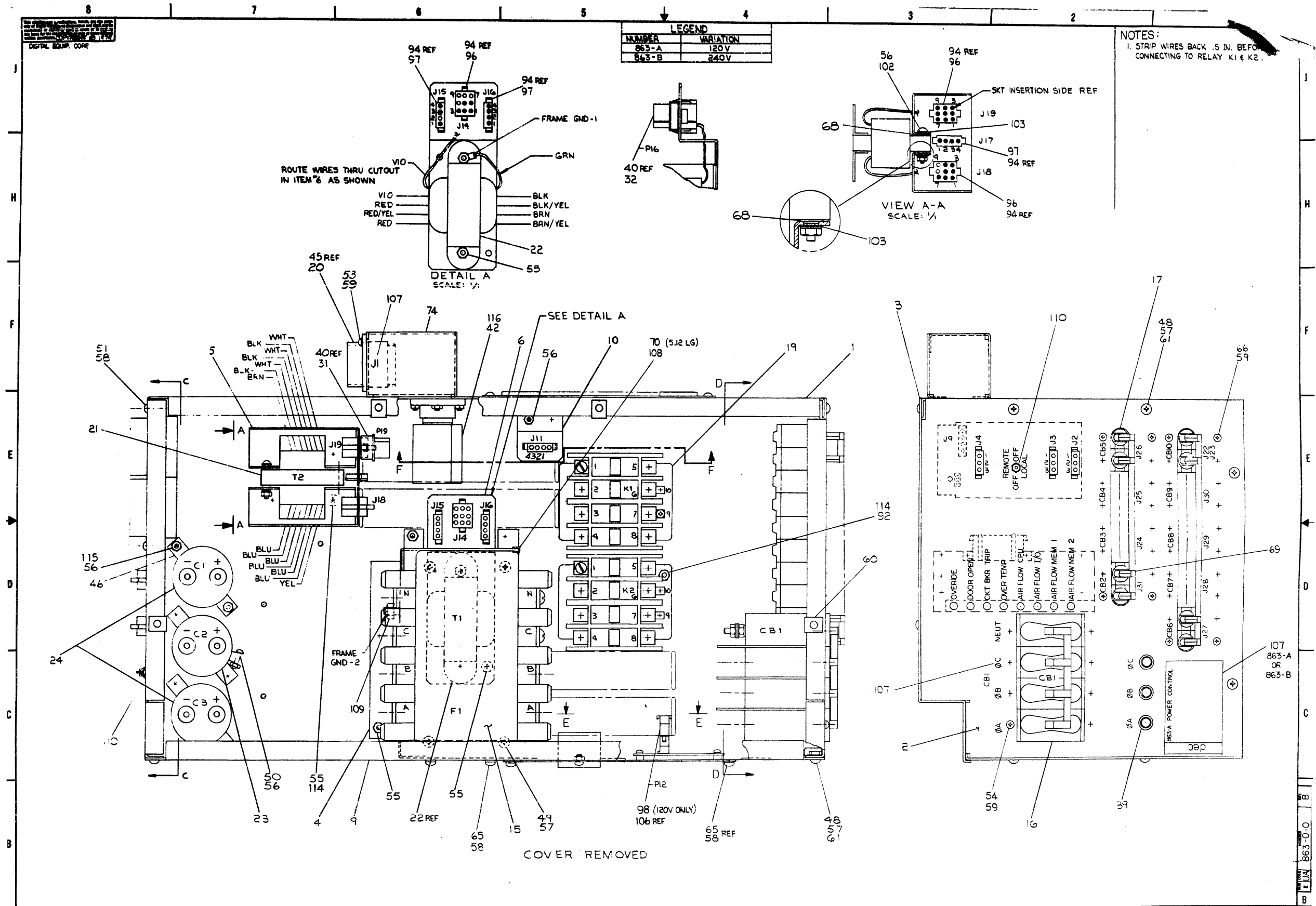
REV. 0

SHEET 1 OF 1

DIGITAL EQUIP. CORP.

NUMBER	VARIATION
863-A	120V
863-B	240V

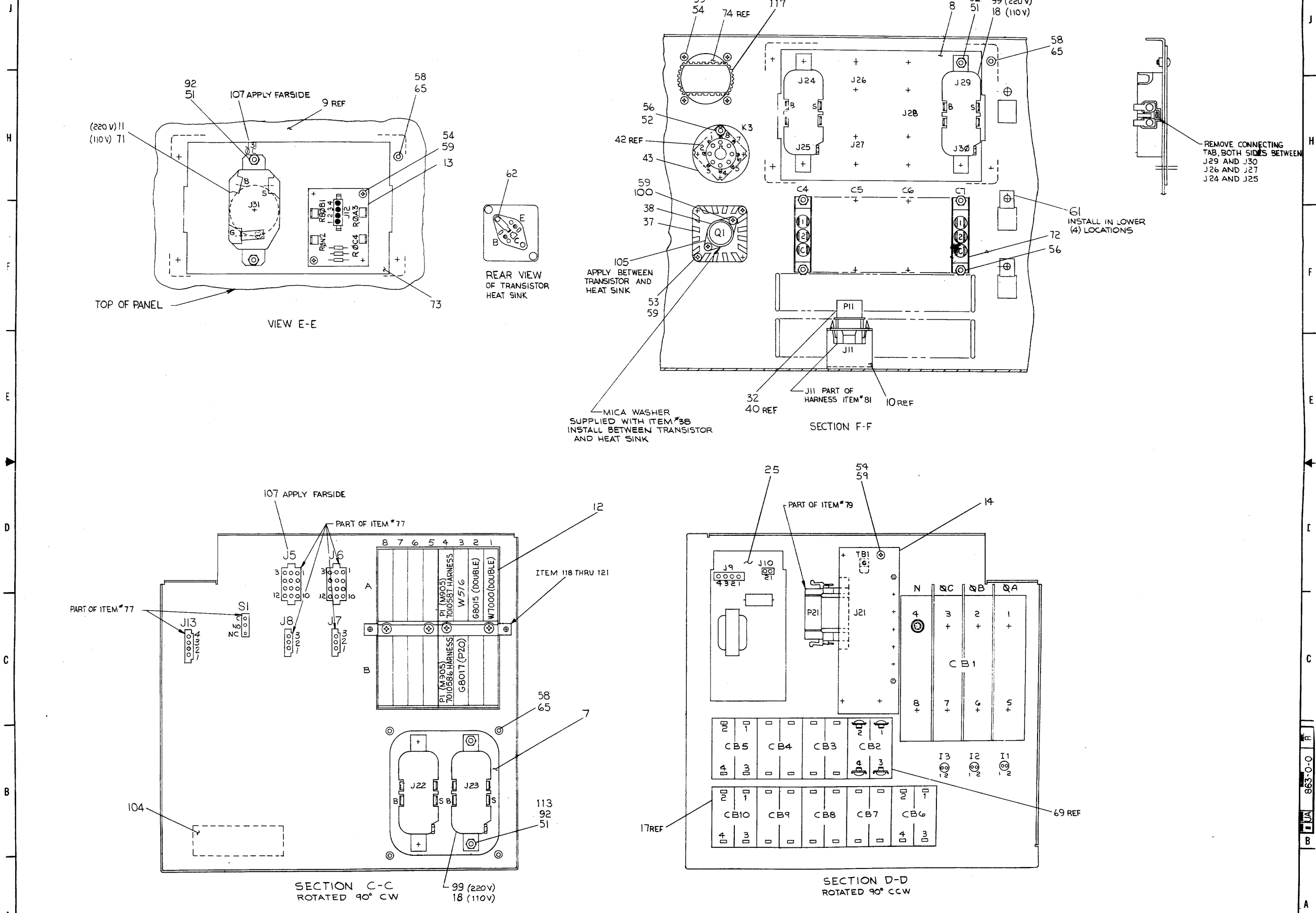
NOTES:  
1. STRIP WIRES BACK .5 IN. BEFORE CONNECTING TO RELAY K1 & K2.



FIRST USED ON OPTION/MODEL	QTY.	DESCRIPTION	PART NO.	ITEM NO.
KL10				
UNLESS OTHERWISE SPECIFIED DIMENSION IN INCHES TOLERANCES				
DECIMALS	ANGLES	DATE		
XXX - .005	10' 30"	DATE	TITLE	
REMOVE BURRS AND BREAK SHARP CORNERS SURFACE QUALITY				
MATERIAL	SEE PARTS LIST	NEXT HIGHER ASSY.	SIZE/COOD	NUMBER
FINISH	DUA-7010098-0-0	SCALE 1/1	E UA	863-0-0
SHEET 1 OF 5				

863-0-0

THE DRAWING AND SPECIFICATIONS, HEREIN, ARE THE PROPERTY OF THE UNITED STATES GOVERNMENT AND SHALL NOT BE REPRODUCED OR COPIED IN WHOLE OR IN PART AS THE BASIS FOR THE MANUFACTURE OR SALE OF LIKE, UNLESS EXPRESS PERMISSION IS GRANTED BY THE UNITED STATES GOVERNMENT.



REVISIONS		
CHK	CHANGE NO.	REV.



**DIGITAL EQUIPMENT CORPORATION**  
MAYNARD, MASSACHUSETTS.

**PARTS LIST**

MADE BY	K. GAMACHE	CHECKED	<i>[Signature]</i>	SECTION
DATE	<i>[Signature]</i>	DATE	4 FEB 75	ISSUED SECT.
ENG	<i>[Signature]</i>	PROD		
DATE	<i>[Signature]</i>	DATE	2-6-75	

ITEM NO.	DWG NO. / PART NO.	DESCRIPTION	QUANTITY / VARIATION
1	E-IA-7411288-0-0	CHASSIS, POWER CONTROL	863-A-Ø (120V) 1
2	E-IA-7412256-0-0	PANEL, FRONT	863-B-Ø (240V) 1
3	D-IA-7411290-0-0	COVER, POWER CONTROL	1
4	D-IA-7412187-0-0	SUPPORT, FILTER NO. 1	1
5	C-IA-7412113-0-0	CONN. BRACKET NO.1	1
6	D-IA-7412118-0-0	CONN. BRACKET NO. 2	1
7	C-MD-7412122-0-0	PANEL, 2 OUTLETS	1
8	C-MD-7412082-0-0	PANEL, 4 OUTLETS	1
9	E-IA-7412278-0-0	PANEL, SIDE	1
10	C-MD-7412280-0-0	CONN. BRKT NO. 3	1
11	1211191	RECEPTACLE, TWIST LOCK	1
12	C-AD-7009632-0-0	WIRED ASSY (CHASSIS 863 P.C.)	1
13	5411159	RESISTOR BOARD	1
14	5411157	INDICATOR BOARD	1
15	1211493	LINE FILTER	1
16	1211496	CIRCUIT BREAKER 75A	1
17	1210191-6	CIRCUIT BREAKER 20A	8
18	1205351	DUPLEX OUTLETS	6
19	1211746	CONTRACTOR 40A 4 POLE	2
20	1211537	POWER/CONNECTOR	1
21	1611490	TRANSFORMER, 3Ø	1
22	1611546	TRANSFORMER, POWER	1

TITLE	POWER CONTROLLER	SIZE CODE	A PL	NUMBER	863-0-0	REV.	B	ECO NO.	863-00002
ASSY NO.	E-UA-863-0-0	SIZE CODE	A PL	DIST.					
SHEET	1	OF	6						

**DIGITAL EQUIPMENT CORPORATION**  
MAYNARD, MASSACHUSETTS.

**PARTS LIST**

MADE BY	K. GAMACHE	CHECKED	<i>[Signature]</i>	SECTION
DATE	<i>[Signature]</i>	DATE	4 FEB 75	ISSUED SECT.
ENG	<i>[Signature]</i>	PROD		
DATE	<i>[Signature]</i>	DATE	2-6-75	

ITEM NO.	DWG NO. / PART NO.	DESCRIPTION	QUANTITY / VARIATION
23	1010184	CAPACITOR 30,000uf 25V	863-A-Ø (120V) 1
24	1010510	CAPACITOR 6,000uf 50V	863-B-Ø (240V) 2
25	5410206	PILOT CONTROL	1
26	9107765-22	WIRE, INS, STRD #8 AWG (RED)	A/R A/R
27	W516	L. V. DETECTOR	1
28	W7ØØØ	POWER SUPPLY	1
29	G8Ø15	CONTROL LOGIC	1
30	G8Ø17	INDICATOR DRIVER	1
31	1209351-09	9 PIN CONN HOUSING	1
32	1209351-04	4 PIN CONN HOUSING	2
33	9107390-66	WIRE, INS, STRD #10 AWG (BLU)	A/R A/R
34	9107390-00	WIRE, INS, STRD #10 AWG (BLK)	A/R A/R
35	9107390-99	WIRE, INS, STRD #10 AWG (WHT)	A/R A/R
36	9107390-22	WIRE, INS, STRD #10 AWG (RED)	A/R A/R
37	1210012	HEAT SINK	1
38	1503399	TRANSISTOR 3790	1
39	1211263	INDICATOR LIGHT	3
40	1209378-00	PIN, TERMINAL CONTACT	22
41	9107390-55	WIRE, INS, STRD #10 AWG (GRN)	A/R A/R
42	1209120	RELAY	1
43	1201220	RELAY SOCKET	1
44	9107765-66	WIRE, INS, STRD #8 AWG (BLU)	A/R A/R

TITLE	POWER CONTROLLER	SIZE CODE	A PL	NUMBER	863-0-0	REV.	B	ECO NO.	863-00002
ASSY NO.	E-UA-863-0-0	SIZE CODE	A PL	DIST.					
SHEET	2	OF	6						



**DIGITAL EQUIPMENT CORPORATION**  
MAYNARD, MASSACHUSETTS.

**PARTS LIST**

MADE BY K. GAMACHE  
 DATE *4 FEB 75*  
 ENG *[Signature]*  
 DATE *Refer 2-6-75*

CHECKED *[Signature]*  
 DATE *4 FEB 75*  
 PROD *[Signature]*  
 DATE *Refer 2-6-75*

SECTION  
 ISSUED SECT.

ITEM NO.	DWG NO. / PART NO.	DESCRIPTION	QUANTITY / VARIATION
45	1211541	CONTACT PINS, FEMALE 35A	5
46	1210430-0-0	CLAMP, CAPACITOR	3
47	9107765-00	WIRE, INS, STRD #8 AWG (BLK)	A/R A/R
48	9006073-1	SCR, PHL PAN HD #10-32 X .50 LG	10
49	9006070-1	SCR, PHL PAN HD #10-32 X .31 LG	4
50	9006025-1	SCR, PHL PAN HD #6-32 X .62 LG	3
51	9006037-1	SCR, PHL PAN HD #8-32 X .38 LG	16
52	9006024-1	SCR, PHL PAN HD #6-32 X .50 LG	4
53	9006022-1	SCR, PHL PAN HD #6-32 X .38 LG	8
54	9006021-1	SCR, PHL PAN HD #6-32 X .31 LG	20
55	9006565	KEPS NUT #10-32	19
56	9006560	KEPS NUT #6-32	25
57	9006635	WASH, LOCK INT. TOOTH #10	14
58	9006634	WASH, LOCK INT. TOOTH #8	16
59	9006633	WASH, LOCK INT. TOOTH #6	66
60	9008196	1/4 TURN CLIP ON RECEPTACLE	4
61	9007786	NUT, SPRING TINNERMAN	14
62	1210130	TRANSISTOR SOCKET	1
63	9009637	TERMINAL, RING CRIMP	3
64	9107765-99	WIRE, INS, STRD #8 AWG (WHT)	A/R A/R
65	9006036-1	SCR, PHL PAN HD #8-32 X .31 LG	14
66	9006020-1	SCR PHL PAN HD #6-32 X .25 LG	36

TITLE POWER CONTROLLER  
 ASSY NO. E-UA-863-0-0  
 SIZE CODE A PL  
 NUMBER 863-0-0  
 REV. ECO NO. B  
 SHEET 3 OF 6

**DIGITAL EQUIPMENT CORPORATION**  
MAYNARD, MASSACHUSETTS.

**PARTS LIST**

MADE BY K. GAMACHE  
 DATE *4 FEB 75*  
 ENG *[Signature]*  
 DATE *Refer 2-6-75*

CHECKED *[Signature]*  
 DATE *4 FEB 75*  
 PROD *[Signature]*  
 DATE *Refer 2-6-75*

SECTION  
 ISSUED SECT.

ITEM NO.	DWG NO. / PART NO.	DESCRIPTION	QUANTITY / VARIATION
67	9007930-00	CONN, SOLDERLESS #18 AWG	5
68	9008318	FIBRE WASHER, SHOULDER	4
69	1212124-00	CIRCUIT BREAKER, 30 AMP	1
70	9007044	GROMMET	A/R A/R
71	1211194	RECEPTACLE TWIST-LOCK RL5-30	1
72	1000034	CAPACITOR 2X.1MFC +20%/-10% 1000VDC	4
73	C-IA-7413005-0-0	PLATE, OUTLET 30 AMP	1
74	C-IA-7010455-0-0	CONN. HOUSING ASSY	1
75	D-IA-7010734-0-0	HARNESS, DC NO.5	1
76	E-IA-7010585-0-0	HARNESS, DC NO.2	1
77	E-IA-7010586-0-0	HARNESS, DC NO.1	1
78	D-IA-7010731-0-0	HARNESS, AC NO.4	1
79	D-IA-7010733-0-0	HARNESS, FAULT INDICATOR	1
80	E-IA-7010587-0-0	HARNESS, DC NO.3	1
81	E-IA-7010588-0-0	HARNESS, TRANSFORMER, AC	1
82	D-IA-7010732-0-0	HARNESS, CAPACITOR	1
83	1211515	LUG, SOLDERLESS #8 STRAIGHT	8
84	9107440-09	WIRE, STRD TWP #14 AWG BLK/WHT	A/R A/R
85	9007969	CONN, SOLDERLESS #14 AWG (BLU)	9
86	9009696	CONN, SOLDERLESS #10 AWG (YEL)	9
87	9007926-01	CONN, SOLDERLESS #10 AWG (YEL)	7
88	9107360-44	WIRE, INS STRD #18 AWG (YEL)	A/R A/R

TITLE POWER CONTROLLER  
 ASSY NO. E-UA-863-0-0  
 SIZE CODE A PL  
 NUMBER 863-0-0  
 REV. ECO NO. B  
 SHEET 4 OF 6



**DIGITAL EQUIPMENT CORPORATION**  
MAYNARD, MASSACHUSETTS

**PARTS LIST**

MADE BY K. GAMACHE  
 DATE *Jan 21/75* CHECKED *K. Gamache* SECTION  
 ENG *Jan 21/75* DATE 4 FEB 75  
 DATE 2/4/75 PROD DATE *Feb 2-6-75* ISSUED SECT.

ITEM NO.	DWG NO. / PART NO.	DESCRIPTION	SIZE CODE	ASSY NO.	REV.	ECO NO.
89	9107360-00	WIRE, INS, STRD #18 AWG (BLK)	A	E-UA-863-0-0	B	863-A-Ø (120 V)
90	9107764-00	WIRE, INS, STRD #2 AWG (BLK)	PL			A/R A/R
91	1212086-00	LUG, SOLDERLESS RT ANGLE #2 AWG				8
92	9006563	NUT, KEP #8-32				14 14
93	9107764-99	WIRE, INS, STRD #2 AWG (WHT)				A/R A/R
94	1209379-00	SOCKET, TERMINAL CONTACT				32 32
95	9107360-66	WIRE, INS, STRD #18 AWG (BLU)				A/R A/R
96	1209350-09	9 SKT CONN HOUSING				3 3
97	1209350-04	4 SKT CONN HOUSING				3 3
98	1212167-01	4 SKT CONN HOUSING (SPECIAL)				1 -
99	1211204	DUPLX OUTLET (230V)				-- 6
100	9006023-1	SCR, PHL PAN HD 6-32 X 4.4				2 2
101	9007970	CONN, SOLDERLESS (RED) #18-22 AWG				4 4
102	9007853-1	SCR, PHL PAN HD #6-32 X 1.12				2 2
103	9006707	WASHER, FLAT, NYLON				4 4
104	9009255	LABEL, ADHESIVE BACKED				1 1
105	9008268	COMPOUND, THERMAL JOINT				A/R A/R
106	1212170	UNIV. CONN SKT CONTACT				4 -
107	B-DC-7413472-0-0	DECALS, 863 POWER CONTROL				1 1
108	9007594	ADHESIVE, HYBOND 80				AR AR
109	9008203	NUT, KEP 1/4-20				1 1
110	9006712	WASHER, NYLON				2 2

TITLE POWER CONTROLLER  
 SIZE CODE A PL NUMBER 863-0-0 REV. ECO NO. B  
 SHEET 5 OF 6 DIST.

DEC FORM DEC 16-(325)-1031-N870  
DRA 110

**DIGITAL EQUIPMENT CORPORATION**  
MAYNARD, MASSACHUSETTS

**PARTS LIST**

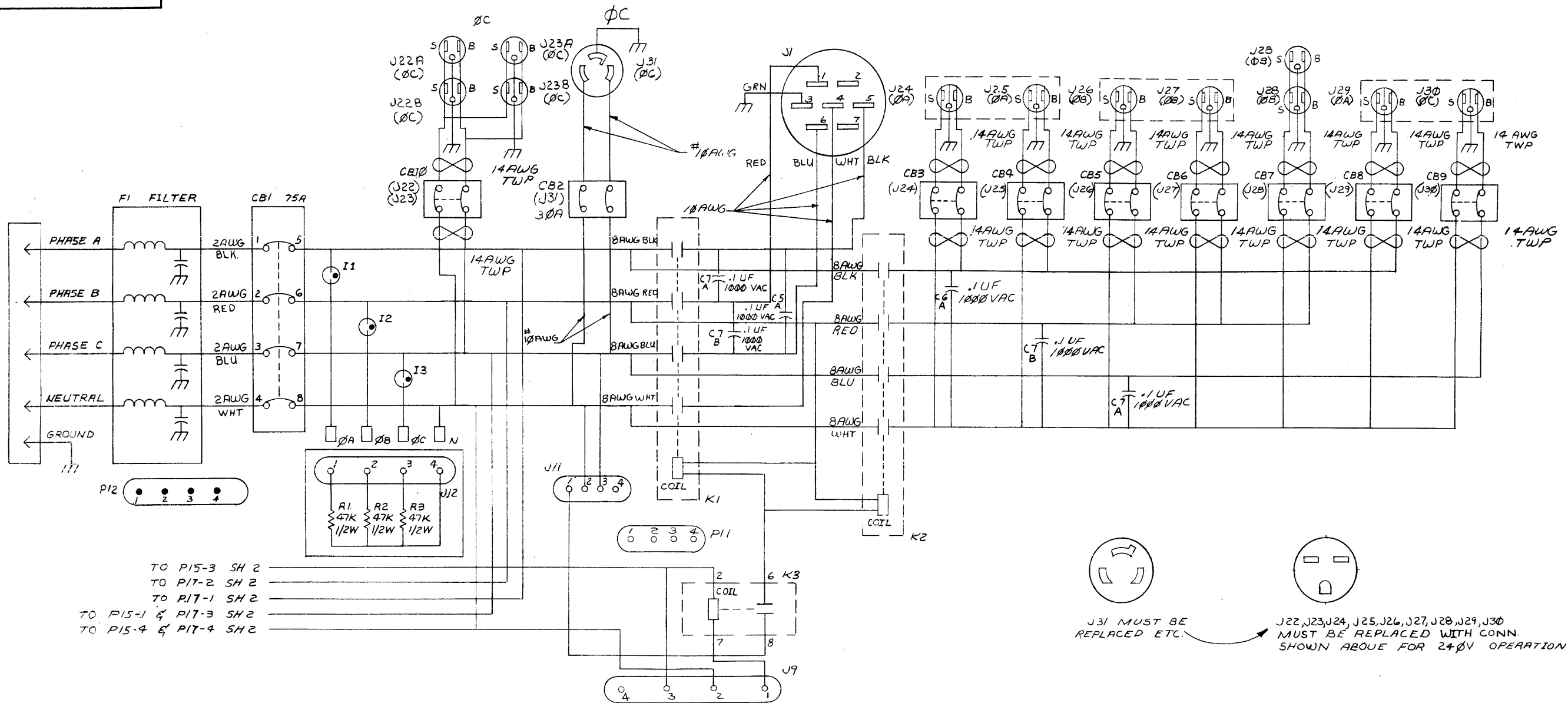
MADE BY K. GAMACHE  
 DATE *Jan 21/75* CHECKED *K. Gamache* SECTION  
 ENG *Jan 21/75* DATE 4 FEB 75  
 DATE 2/4/75 PROD DATE *Feb 2-6-75* ISSUED SECT.

ITEM NO.	DWG NO. / PART NO.	DESCRIPTION	SIZE CODE	ASSY NO.	REV.	ECO NO.
111	9107370-99	WIRE, INS STRD #14 AWG (WHT)	A	E-UA-863-0-0	B	863-A-Ø (120V)
112	9007880	TIES, CABLE	PL			A/R A/R
113	9008151	WASHER, LOCK #8 EXT. TOOTH				15 15
114	9006660	WASHER, FLAT #8				12 12
115	9006653	WASHER, FLAT #6				11 11
116	9107305-2	TUBING, SHRINKABLE				6 6
117	9007036	GROMMET, CATERPILLAR				A/R A/R
118	1300309-00	RES, 390Ω, 1/4W 5%				1 1
119	1301322-00	RES, 180Ω, 1/4W 5%				1 1
120	9007655	TERMIPOINT, 3Ø GA.				4 4
121	9107256-10	TUBING, TEFLON				A/R A/R

TITLE POWER CONTROLLER  
 SIZE CODE A PL NUMBER 863-0-0 REV. ECO NO. B  
 SHEET 6 OF 6 DIST.

DEC FORM DEC 16-(325)-1031-N870  
DRA 110

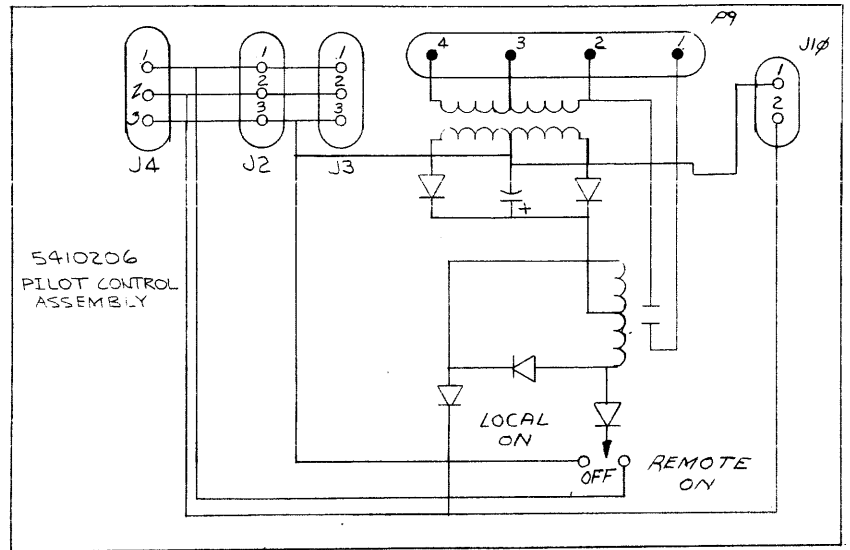
THIS DRAWING AND SPECIFICATIONS, HEREIN, ARE THE PROPERTY OF DIGITAL EQUIPMENT CORPORATION AND SHALL NOT BE REPRODUCED OR COPIED OR USED IN WHOLE OR IN PART AS THE BASIS FOR THE MANUFACTURE OR SALE OF ITEMS WITHOUT WRITTEN PERMISSION. COPYRIGHT © 1974, DIGITAL EQUIPMENT CORPORATION



TO P15-3 SH 2  
 TO P17-2 SH 2  
 TO P17-1 SH 2  
 TO P15-1 & P17-3 SH 2  
 TO P15-4 & P17-4 SH 2

NOTE:  
 FOR 120V OPERATION JUMPER P12-17  
 P12-2 TO P12-3 TO P12-4 J11-1 TO J11-3  
 FOR 240V OPERATION JUMPER J11-1 TO J11-2  
 REMOVE JUMPER ON P12 CHANGE DUPLEX  
 OUTLET PANEL TO 240V PANEL  
 ALL WIRING IS 18AWG UNLESS NOTED

J31 MUST BE REPLACED ETC.  
 J22, J23, J24, J25, J26, J27, J28, J29, J30 MUST BE REPLACED WITH CONN. SHOWN ABOVE FOR 240V OPERATION

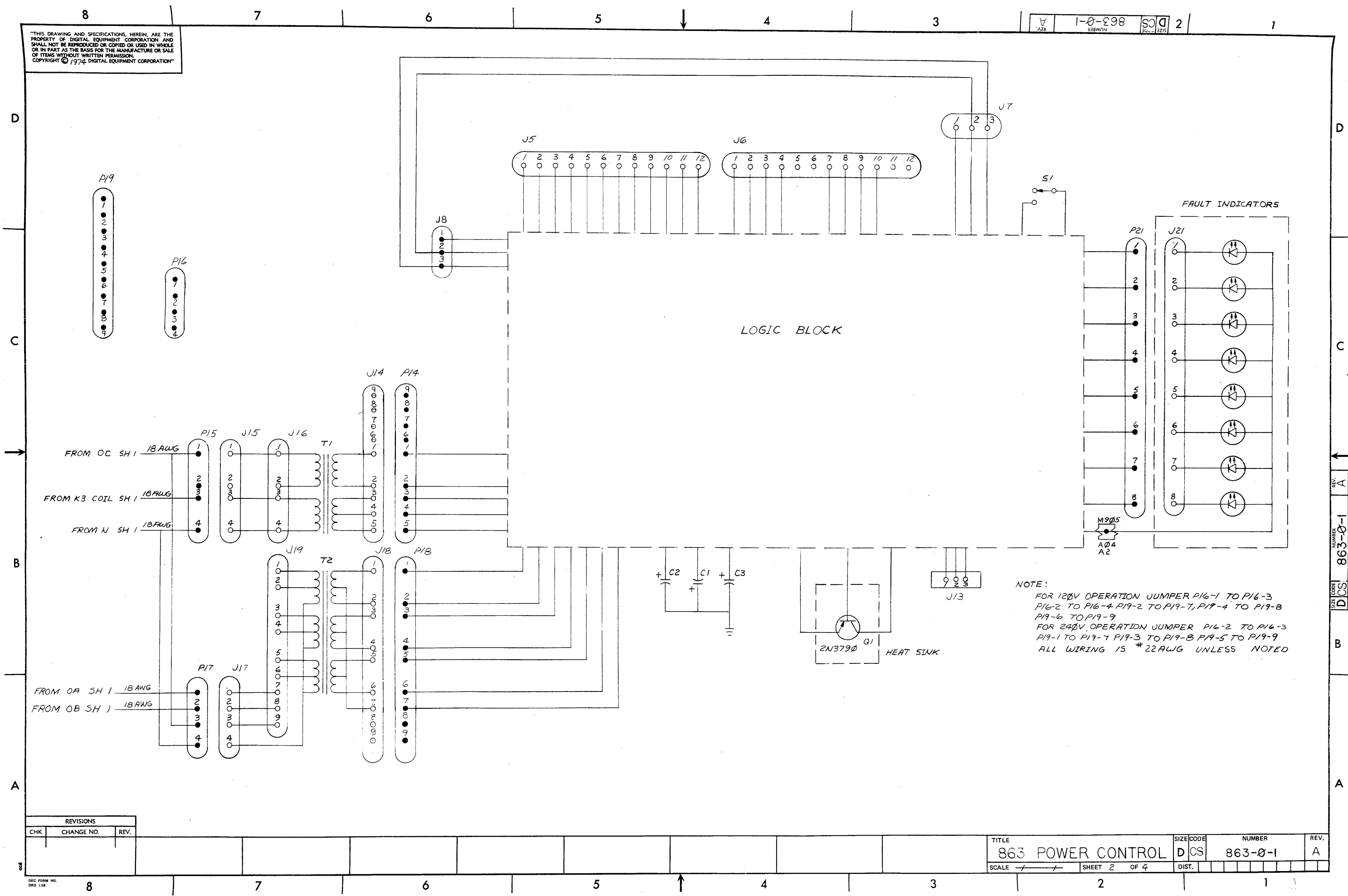


REV.	CHANGE NO.	DATE
A	00002	8-28-74

FIRST USED ON OPTION/MODEL	QTY.	DESCRIPTION	PART NO.	ITEM NO.
KL10				
PARTS LIST				
DIMENSIONAL TOLERANCE		DRN. DATE 7/2/74	<b>digital</b>	
DIMENSIONS ARE MILLIMETERS INCHES UNLESS OTHERWISE SPECIFIED		CHKD. DATE 2-9-75		
MILLIMETERS	INCHES	ANGLES	TITLE	
XXX ±0.10	XX ±0.05	±0°30'	863 POWER CONTROL	
XX ±0.5	XX ±0.2		DATE 1/12/75	
X ±2.	X ±1.		DATE 2-7-75	
THIRD ANGLE PROJECTION	REMOVE BURRS AND BREAK SHARP CORNERS SURFACE QUALITY	NEXT HIGHER ASSY.	SIZE CODE	NUMBER
			D CS	863-0-1
FINISH			REV.	A
			SCALE	
			SHEET 1 OF 4	

REV. A  
 NUMBER 863-0-1  
 DCS

"THIS DRAWING AND SPECIFICATIONS, HEREIN, ARE THE PROPERTY OF DIGITAL EQUIPMENT CORPORATION AND SHALL NOT BE REPRODUCED OR COPIED OR USED IN WHOLE OR IN PART AS THE BASIS FOR THE MANUFACTURE OR SALE OF ITEMS WITHOUT WRITTEN PERMISSION. COPYRIGHT © 1974 DIGITAL EQUIPMENT CORPORATION"



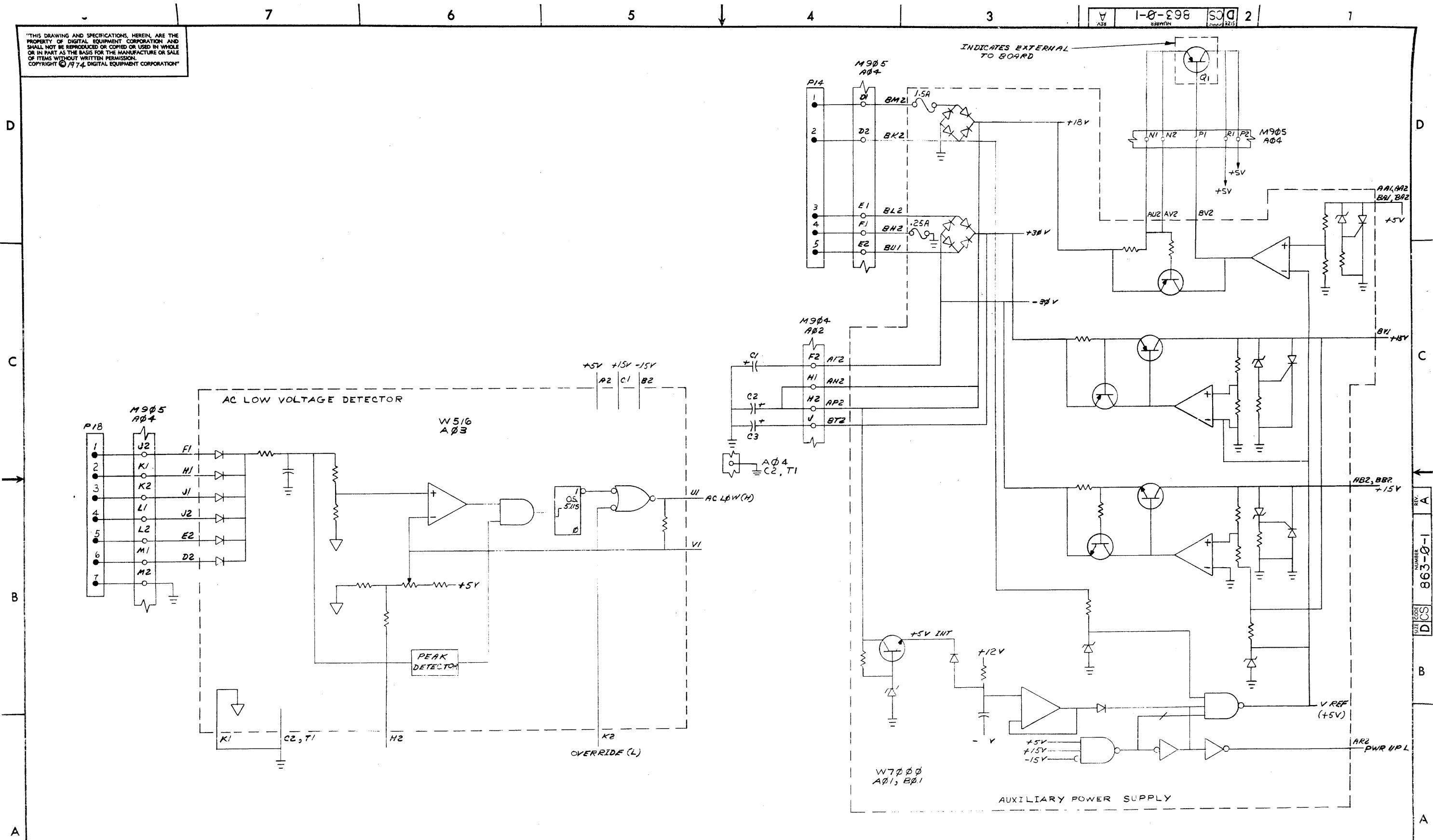
NOTE:  
 FOR 120V OPERATION JUMPER P16-1 TO P16-3  
 P16-2 TO P16-4 P19-2 TO P19-7, P19-4 TO P19-8  
 P19-6 TO P19-9  
 FOR 240V OPERATION JUMPER P16-2 TO P16-3  
 P19-1 TO P19-7 P19-3 TO P19-8 P19-5 TO P19-9  
 ALL WIRING IS #22AWG UNLESS NOTED

REVISIONS		
CHK	CHANGE NO.	REV.

TITLE	SIZE CODE	NUMBER	REV.
863 POWER CONTROL	DCS	863-0-1	A
SCALE	SHEET	OF	
	2	4	

THIS DRAWING AND SPECIFICATIONS, HEREIN, ARE THE PROPERTY OF DIGITAL EQUIPMENT CORPORATION AND SHALL NOT BE REPRODUCED OR COPIED OR USED IN WHOLE OR IN PART AS THE BASIS FOR THE MANUFACTURE OR SALE OF ITEMS WITHOUT WRITTEN PERMISSION. COPYRIGHT © 1974 DIGITAL EQUIPMENT CORPORATION

1-0-Σ96 CS D 2

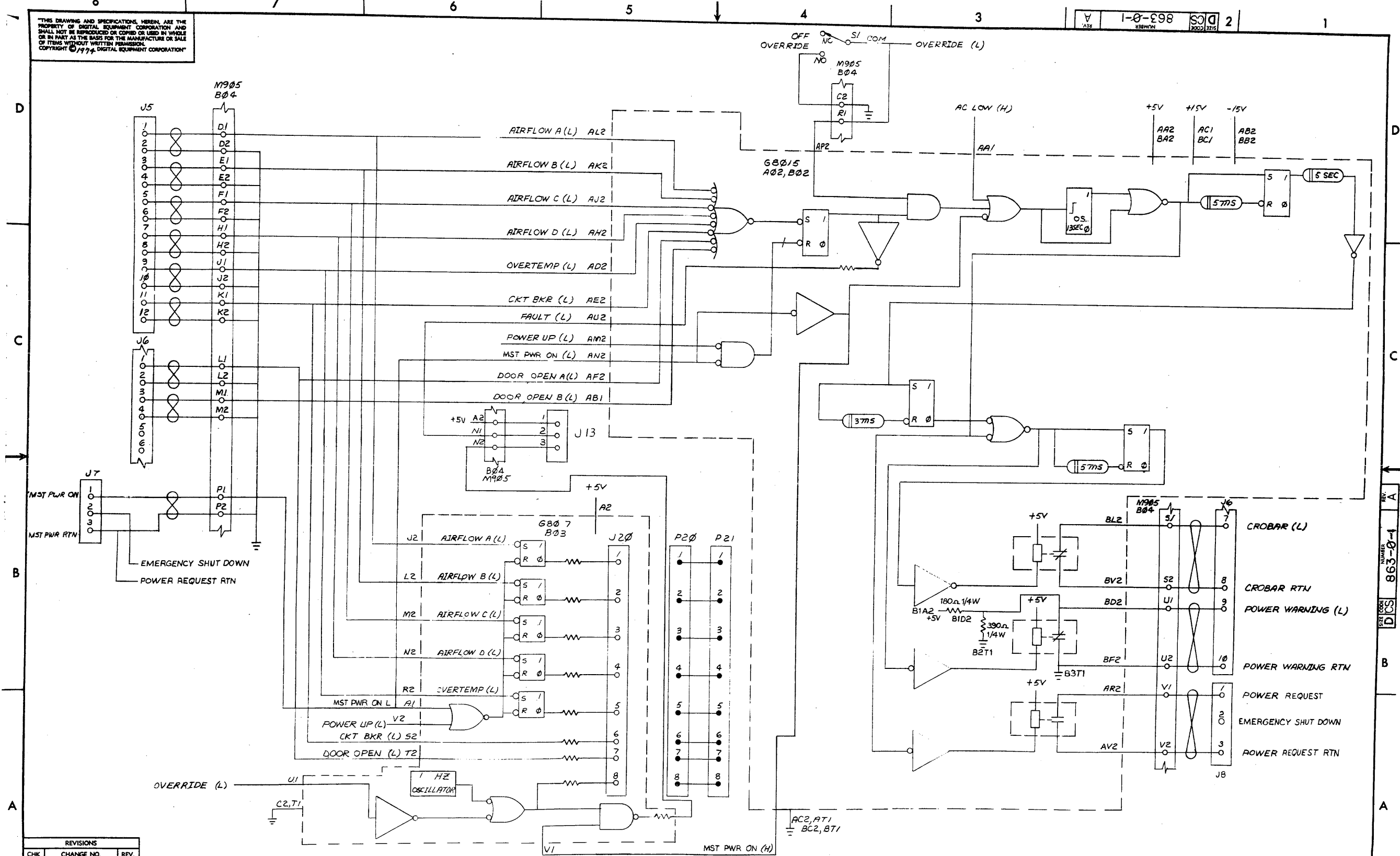


REVISIONS		
CHK	CHANGE NO.	REV.

TITLE	863 POWER CONTROL	SIZE CODE	D CS	NUMBER	863-0-1	REV.	A
SCALE		SHEET	3	OF	4	DIST.	

THIS DRAWING AND SPECIFICATIONS HEREIN ARE THE PROPERTY OF DIGITAL EQUIPMENT CORPORATION AND SHALL NOT BE REPRODUCED OR COPIED OR USED IN WHOLE OR IN PART AS THE BASIS FOR THE MANUFACTURE OR SALE OF ITEMS WITHOUT WRITTEN PERMISSION. COPYRIGHT © 1974, DIGITAL EQUIPMENT CORPORATION

1-0-£98 SOD 2



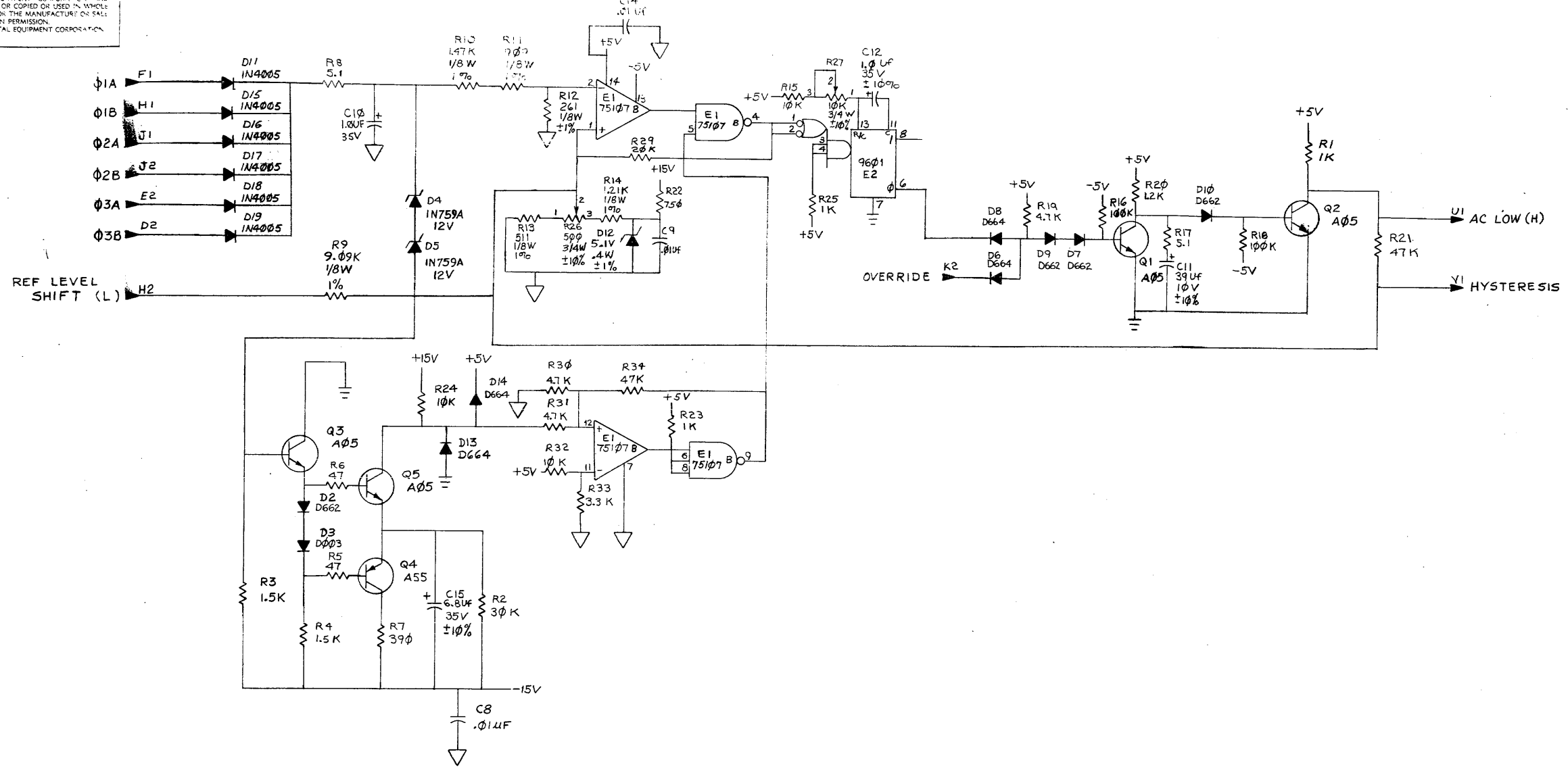
REVISIONS		
CHK	CHANGE NO.	REV. MN

TITLE	863 POWER CONTROL	SIZE CODE	D CS	NUMBER	863-0-1	REV.	A
SCALE		SHEET	4	OF	4	DIST.	

REV. DCS NUMBER 863-0-1



THIS DRAWING AND SPECIFICATIONS, HEREIN, ARE THE PROPERTY OF DIGITAL EQUIPMENT CORPORATION, AND SHALL NOT BE REPRODUCED OR COPIED OR USED IN WHOLE OR IN PART AS THE BASIS FOR THE MANUFACTURE OR SALE OF ITEMS WITHOUT WRITTEN PERMISSION. COPYRIGHT © 1977 DIGITAL EQUIPMENT CORPORATION.



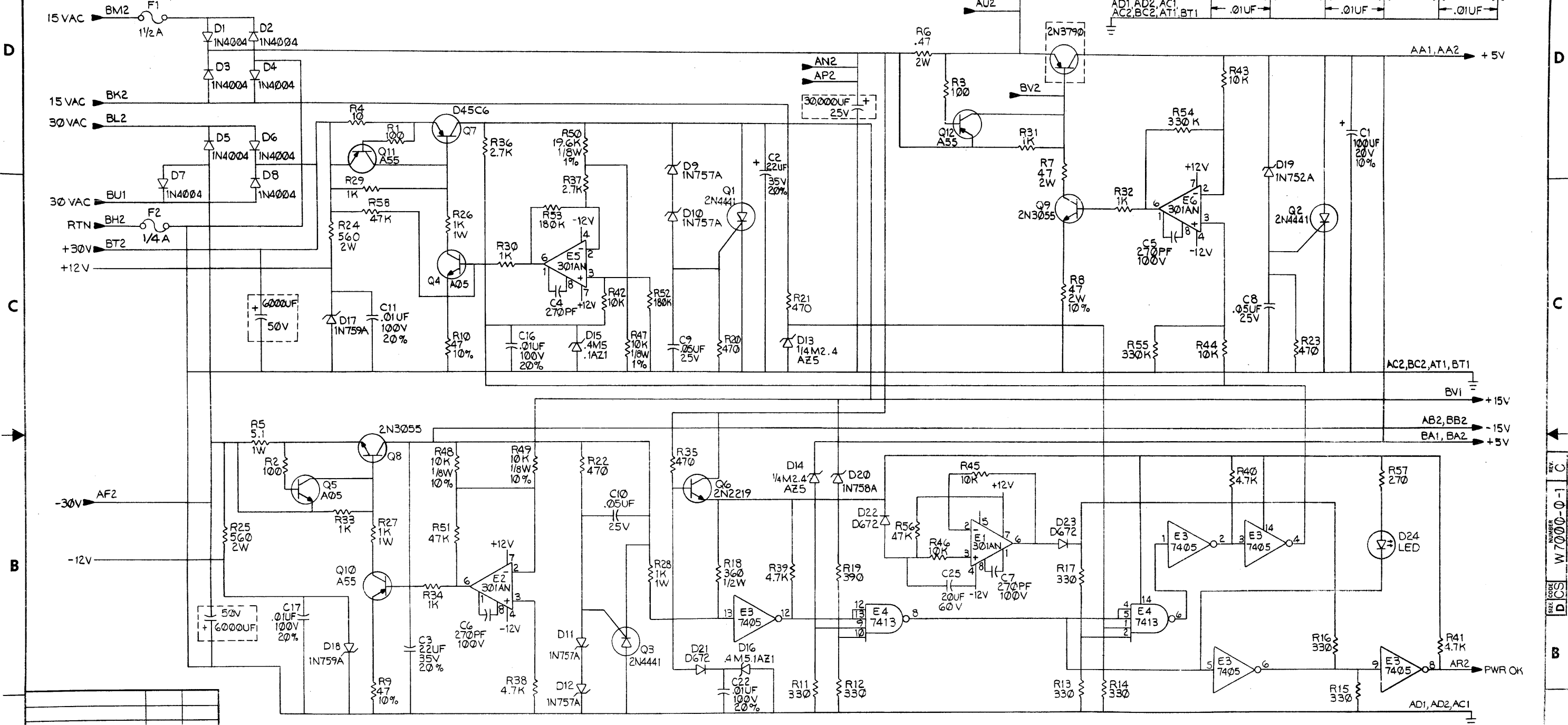
REVISIONS		
CHK	CHANGE NO.	REV.

REVISED 11/67 DCS W516-0-1 C



"THIS DRAWING AND SPECIFICATIONS HEREIN ARE THE PROPERTY OF DIGITAL EQUIPMENT CORPORATION AND SHALL NOT BE REPRODUCED OR COPIED OR USED IN WHOLE OR IN PART AS THE BASIS FOR THE MANUFACTURE OR SALE OF ITEMS WITHOUT WRITTEN PERMISSION. COPYRIGHT © 1975 DIGITAL EQUIPMENT CORPORATION"

**NOTES:**  
 1. [ ] INDICATES COMPONENT EXTERNAL TO BOARD MOUNTED ON 863 POWER CONTROL.  
 2. E3 AND E4, PIN 14 IS NOT STANDARD +5V.



SEE NOTE 2				
I.C. 301AN			7	4
IC TYPE	GND	+5V	+12V	-12V
GND AND 5V ARE USUALLY PIN 7 AND 14 RESPECTIVELY EXCEPTIONS ARE STATED ABOVE				
IC PIN LOCATIONS				

QTY	REF. DESIGNATION	DESCRIPTION	PART NO.	ITEM NO.
FIRST USED ON OPTION MODEL 863				
ETCH BOARD-REV.				
PARTS LIST				
DRN. E. REMOND DATE 4-2-75				
CHKD. R. CONSTANTINIAN DATE 6-28-74				
ENG. J. DREW DATE 10-4-74				
PROJ. ENG. J. DREW DATE 10-4-74				
PROD. D. BEZEK DATE 10-2-74				
NEXT HIGHER ASSY B-DD-W7000-0				
DEC. NO.	EIA NO.	DEC. NO.	EIA NO.	SCALE
SEMICONDUCTOR CONVERSION CHART				
SHEET 1 OF 1				



AUX POWER SUPPLY

SIZE CODE NUMBER REV. DCS W7000-0-1 C

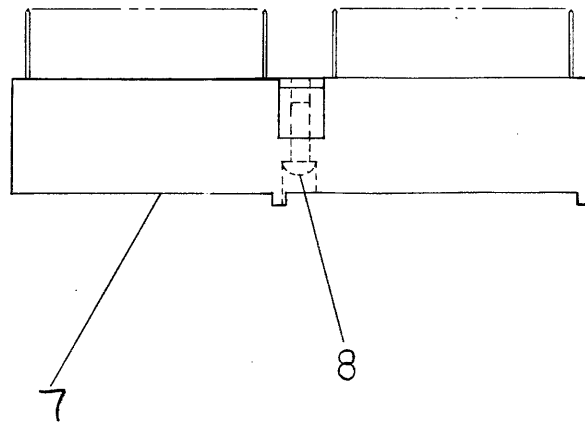
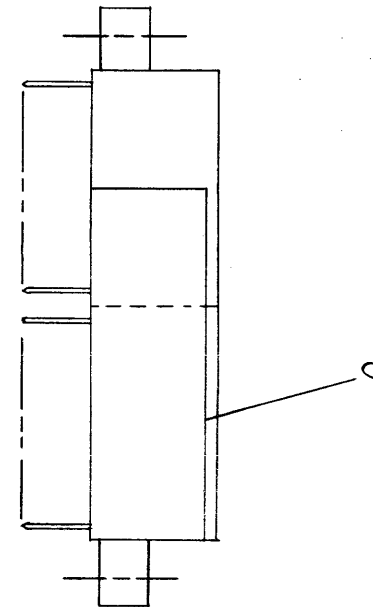
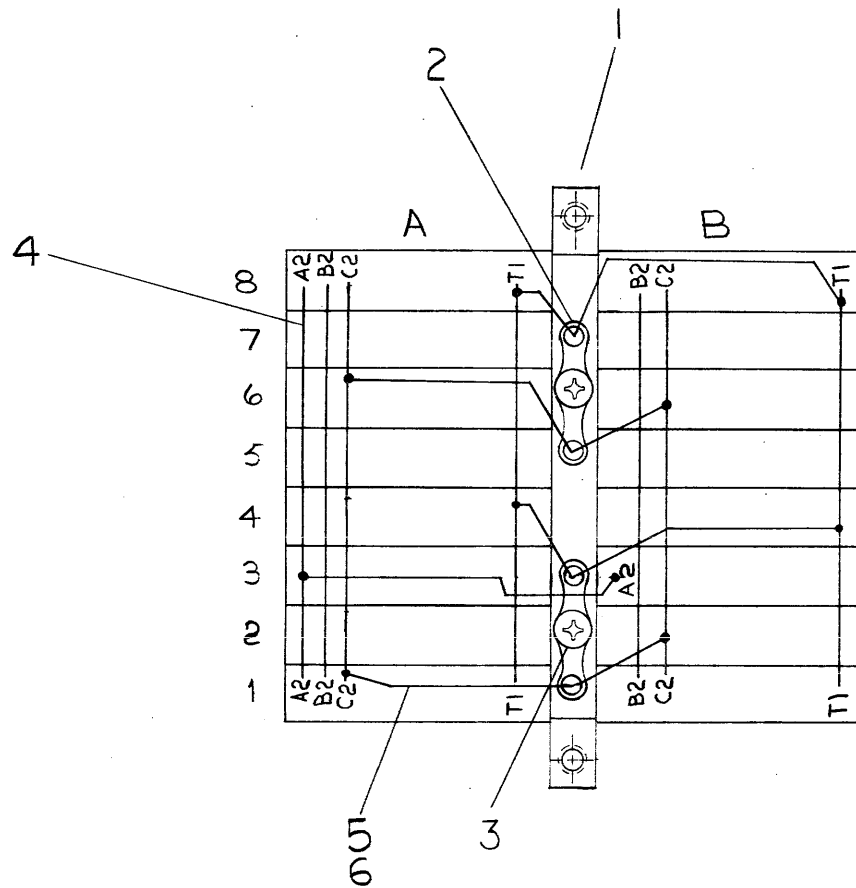
REV. C  
NUMBER W7000-0-1  
CODE DCS

This drawing and specifications, herein, are the property of Digital Equipment Corporation and shall not be reproduced or copied or used in whole or in part as the basis for the manufacture or sale of items without written permission. COPYRIGHT © 1973

DIGITAL EQUIP CORP.

NOTES:

1. CONNECTIONS ON BUSSING ITEM #45 TO BE LOCATED AT MINIMUM PRACTICAL HEIGHT ABOVE BLOCKS.
2. USE YEL WIRE ITEM #10 FOR WRAPPING, PERFORMED PER WIRE LIST OF THIS DWG. USE ITEM #11 FOR TWP (NC HAND WRAP).



REF	DESCRIPTION	PART NO.	ITEM NO.
1 FT.	*30 AWG TWP SOLID INS BLK/WHT	9107720-09	11
20 FT.	*30 AWG SOLID YEL INS	9105740-44	10
1	LABEL, ADHESIVE BACK	9009255	9
4	SCR, PHL HD FIL *8-32 x .625	9006210-6	8
2	CONN BLOCK 288 PIN *H803	E-SC1205348-0-0	7
1 FT	TUBING, *22 WHT	9107265-09	6
2 FT	BUS WIRE *22 AWG	9107560-01	5
3 FT	BUS STRIP	1205541	4
2	SCR, PHL HDFIL *8-32 x .38	9006418-1	3
2	TERMINAL *8 HOLE	9007597	2
1	MTG BAR CONN BLOCK	B-MD-7409755-0-0	1

FIRST USED ON OPTION/MODEL <b>863</b>	QTY.	DESCRIPTION	PART NO.	ITEM NO.
PARTS LIST				
UNLESS OTHERWISE SPECIFIED DIMENSION IN INCHES. TOLERANCES	DRN. <i>A. Damache</i> DATE 10/30/73			
DECIMALS .XXX = .005 .XX = .02 .X = .1	CHK'D. <i>[Signature]</i> DATE 6/26/74	TITLE <b>WIRED ASSY (CHASSIS 863 P.C.)</b>		
ANGLES ±0° 30'	ENG. <i>[Signature]</i> DATE 8/15/74	SIZE CODE <b>C AD</b> NUMBER <b>7009632-0-0</b> REV. <b>1</b>		
REMOVE BURRS AND BREAK SHARP CORNERS SURFACE QUALITY ✓	PROJ. ENG. <i>[Signature]</i> DATE 9/4/74	NEXT HIGHER ASSY.		
MATERIAL	PROD. <i>[Signature]</i> DATE 9/6/74	SCALE 1/1		
SEE PARTS LIST		SHEET 1 OF 2		
FINISH		DIST.		

REV.	CHANGE NO.
CHK	

REV. NUMBER 7009632-0-0

4 3 2 1

D C B A

"THIS DRAWING AND SPECIFICATIONS, HEREIN, ARE THE PROPERTY OF DIGITAL EQUIPMENT CORPORATION AND SHALL NOT BE REPRODUCED OR COPIED OR USED IN WHOLE OR IN PART AS THE BASIS FOR THE MANUFACTURE OR SALE OF ITEMS WITHOUT WRITTEN PERMISSION. COPYRIGHT © 1974, DIGITAL EQUIPMENT CORPORATION"

WIRE TABLE					
ITEM NO	DESCRIPTION		FROM	TO	REMARKS
	AWG	COLOR	CONNECTION	CONNECTION	
9	30	YEL	A01C1	A01C2	GND
			A01C2	A01D1	
			A01D1	A01D2	
			A03C2	A03K1	
			A04C2	A04M2	
			B04C2	B04D2	
			B04D2	B04E2	
			B04E2	B04F2	
			B04F2	B04H2	
			B04H2	B04J2	
			B04J2	B04K2	
			B04K2	B04L2	
			B04L2	B04M2	
			B04M2	B04P2	GND
			A01A1	A01A2	+5 VOLTS
			A01A2	B01A1	
			B01A1	B01A2	
			A04A2	A04P2	
			A04A2	A04R1	+5 VOLTS
			B01V1	A02C1	+15 VOLTS
			A02C1	B02C1	+15 VOLTS
			A03F1	A04J2	PHASE 1A
			A03H1	A04K1	PHASE 1B
			A03J1	A04K2	PHASE 2A
			A03J2	A04L1	PHASE 2B
			A03E2	A04L2	PHASE 3A
			A03D2	A04M1	PHASE 3B
			B01M2	A04D1	18 VAC A
			B01K2	A04D2	18 VAC B
			B01L2	A04E1	3Ø VAC A
			B01U1	A04E2	3Ø VAC B
			B01H2	A04F1	3Ø VAC RTN
			A01N2	A04H1	+18V RAW
			A01P2	A04H2	+18V RAW
			B01T2	A04J1	+3ØV RAW
			A01F2	A04F2	-3ØV RAW
9	30	YEL	A02L2	B03J1	AIR FLOW A (L)

WIRE TABLE					
ITEM NO	DESCRIPTION		FROM	TO	REMARKS
	AWG	COLOR	CONNECTION	CONNECTION	
9	30	YEL	B03J1	B04D1	AIR FLOW A (L)
			A02K2	B03L2	AIR FLOW B (L)
			B03L2	B04E1	AIR FLOW B (L)
			A02J2	B03M2	AIR FLOW C (L)
			B03M2	B04F1	AIR FLOW C (L)
			A02H2	B03N2	AIR FLOW D (L)
			B03N2	B04H1	AIR FLOW D (L)
			A02D2	B03R2	OVERTEMP (L)
			B03R2	B04J1	OVERTEMP (L)
			A02E2	B03S2	CKT BKR (L)
			B03S2	B04K1	CKT BKR (L)
			A02F2	B03T2	DOOR OPEN A (L)
			B03T2	B04L1	DOOR OPEN A (L)
			A02B1	B04M1	DOOR OPEN B (L)
			A01R2	A02M2	POWER UP (L)
			A02N2	B03A1	PWR REQUEST (L)
			B03A1	B04P1	PWR REQUEST (L)
			A02U2	B04N1	FAULT (L)
			A02A1	A03U1	AC LOW (H)
			A02P2	A03K2	OVERRIDE (L)
			A03K2	B03U1	OVERRIDE (L)
9		YEL	B03U1	B04R1	OVERRIDE (L)
11		BLK/WHT	B02L2	B04S1	CROBAR (L)
		TWP	B02V2	B04S2	CROBAR RTN
		BLK/WHT	B02D2	B04U1	PWR WARNING (L)
		TWP	B02F2	B04U2	PWR WARNING RTN
		BLK/WHT	A02R2	B04V1	PWR DOWN (L)
11		TWP	A02V2	B04V2	PWR DOWN RTN
9		YEL	B01V2	A04P1	+5V DRIVE
9			A01U2	A04N1	+18V
9			A01V2	A04N2	+18V
9	30	YEL	A04N1	A04N2	+18V

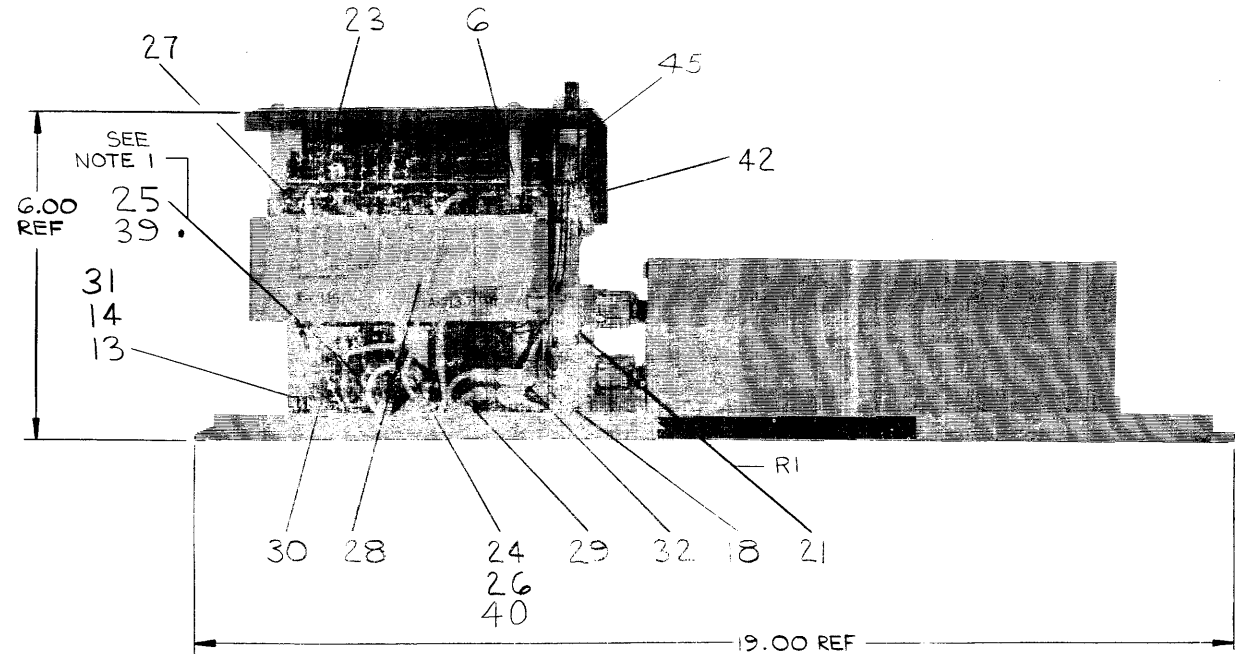
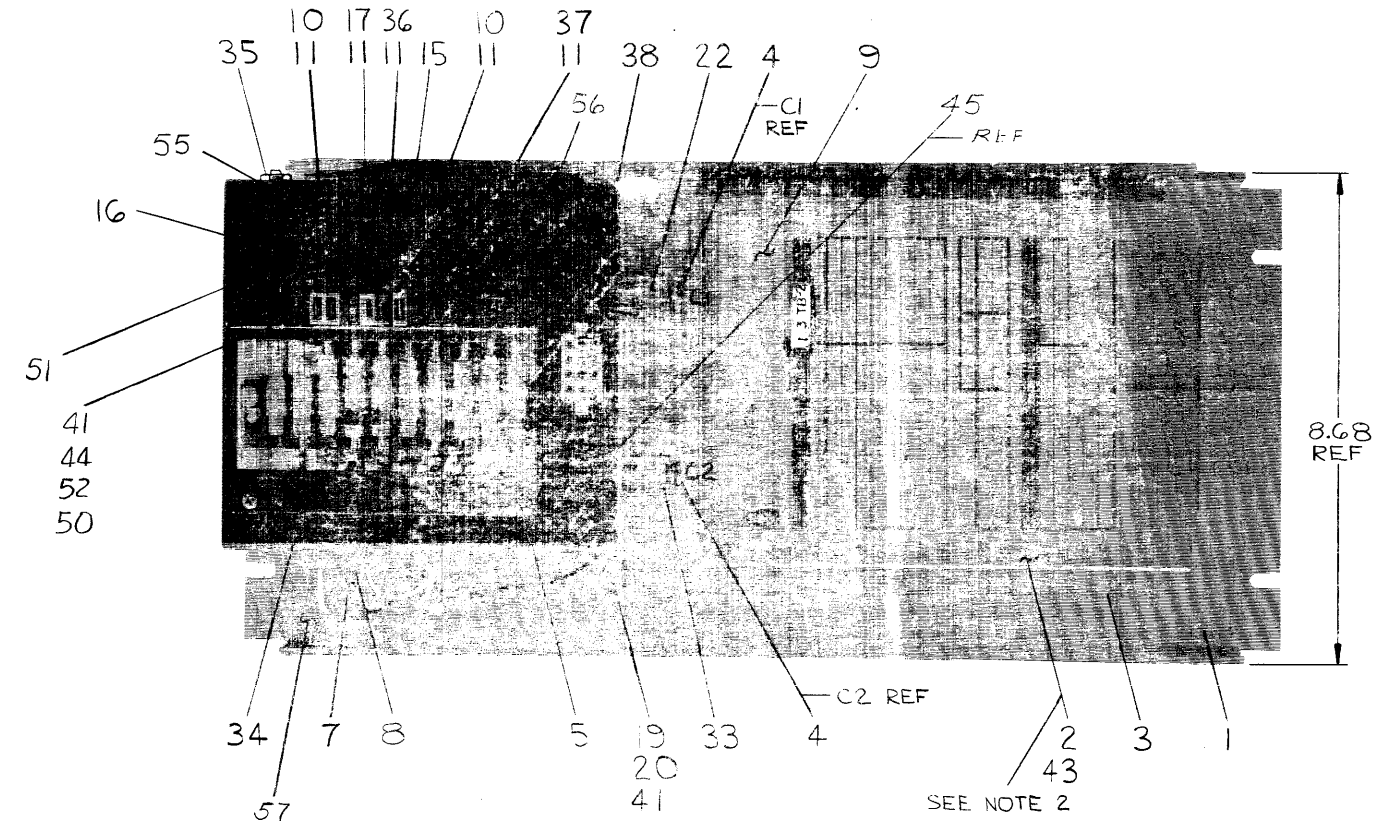
REV.	
CHANGE NO.	
CHK	

FIRST USED ON OPTION/MODEL 863	QTY.	DESCRIPTION	PART NO.	ITEM NO.
PARTS LIST				
UNLESS OTHERWISE SPECIFIED DIMENSION IN INCHES	DRN. <i>McGhie</i>	DATE	digital EQUIPMENT CORPORATION MAYNARD, MASSACHUSETTS	
TOLERANCES	CHK'D. <i>L. Johnson</i>	DATE	TITLE	
DECIMALS .xxx = .005	ENG. <i>W. Johnson</i>	DATE	WIRED ASSY (CHASSIS 863 P.C.)	
ANGLES = 0° 30'	PROJ. ENG.	DATE	SIZE CODE NUMBER REV.	
.xx = .02	PROD. <i>Rojan</i>	DATE	CAD	7009632-0-0
.x = .1	REMOVE BURRS AND BREAK SHARP CORNERS SURFACE QUALITY V	DATE		
MATERIAL	NEXT HIGHER ASSY.			
SEE PARTS LIST	E-UA-863-0-0			
FINISH	SCALE NONE			
	SHEET 2 OF 2			

This drawing and specifications, herein, are the property of Digital Equipment Corporation and shall not be reproduced or copied or used in whole or in part as the basis for the manufacture or sale of items without written permission.  
1972

REV. 0 0-0-232470 2 1

NOTES:  
1. APPLY THERMAL JOINT COMPOUND ITEM # 39 BETWEEN CONTACTING SURFACES OF ITEM # 25 & ITEM # 7.  
2. ATTACH ITEM # 43 BETWEEN CONTACTING SURFACES OF ITEM # 4 & ITEM # 2.



FIRST USED ON OPTION/MODEL  
H732 P.S.

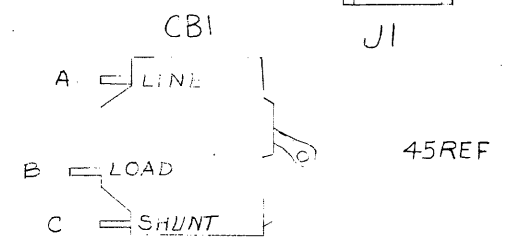
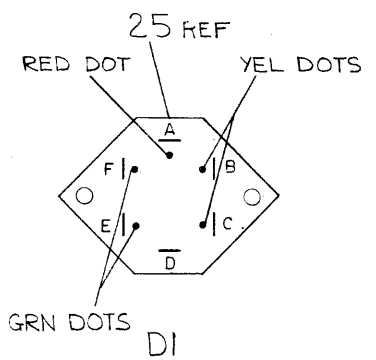
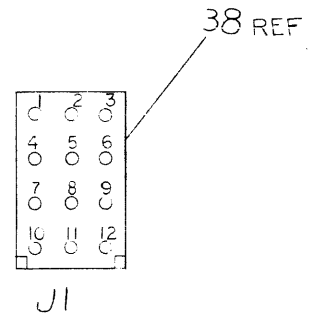
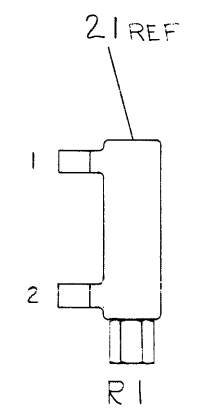
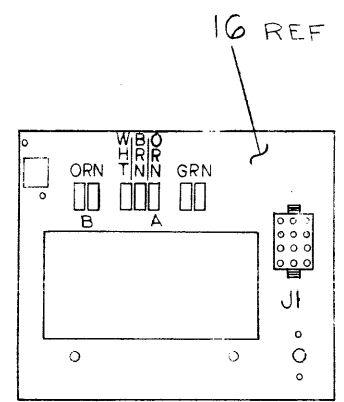
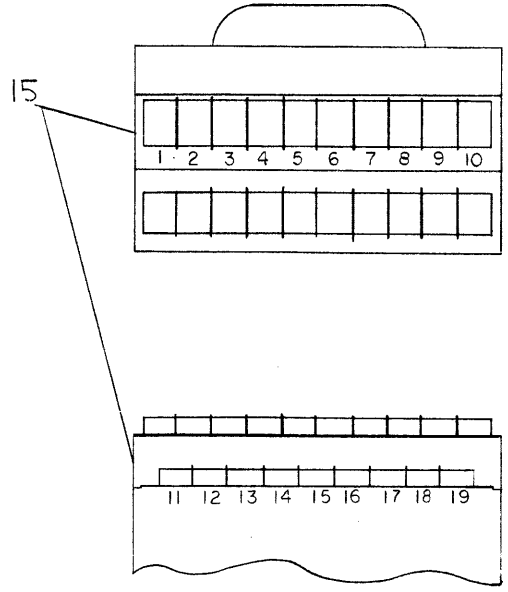
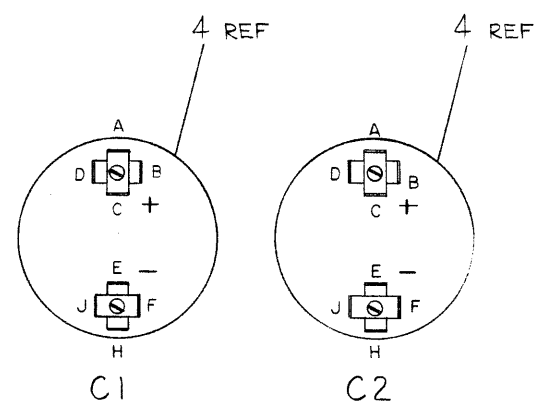
DO NOT SCALE DRAWING  
UNLESS OTHERWISE SPECIFIED  
DIMENSION IN INCHES  
TOLERANCES  
DECIMALS FRACTIONS ANGLES  
±.005 ±.004 ± 0°30'  
FINAL SURFACE QUALITY  
REMOVE BURRS AND BREAK SHARP CORNERS  
MATERIAL  
FINISH

DRN. Phil Reed DATE 2-24-71  
CHK'D. S. Davis DATE 3-27-71  
ENG. M. Davis DATE 2-27-71  
PROJ. ENG. Allen Kern DATE 13 SEP 71  
PROD. DATE 7-13-71  
NEXT HIGHER ASSY  
SCALE NONE  
SHEET 1 OF 2

QTY.	DESCRIPTION	PART NO.	ITEM NO.
PARTS LIST			
<b>digital</b> EQUIPMENT CORPORATION MAYNARD, MASSACHUSETTS		TITLE H732 POWER SUPPLY	
SIZE CODE	NUMBER	REV.	
DUA	H732-0-0	C	
DIST.			

REVISIONS	CHANGE NO.	REV.
CHK	H732-00001	A
DREW	4-5-72	
DREW	H732-00002	B
DREW	5-13-72	C
DREW	12-14-72	

This drawing and specifications herein are the property of Digital Equipment Corporation and shall not be reproduced or copied or used in whole or in part as the basis for the manufacture or sale of items without written permission.



WIRE TABLE

ITEM NO.	AWG	COLOR	FROM CONNECTION	TO CONNECTION	REMARKS
28	14	ORN	J1-1	12	C1-B (POS) 23
29		GRN	2		C1-J (NEG)
29		GRN	3		C1-F (NEG)
28		ORN	4		C1-D (POS)
29		GRN	6		C2-F (NEG)
28		ORN	7		C2-D (POS)
28		ORN	8		C2-C (POS)
29		GRN	9		C2-J (NEG) 23
27		WHT	J1-10	12	HEYMAN (WHT) SOLDER
27		WHT	DI-B (YEL DOT)	23,32	
30		BRN	J1-11	12	DI-E (GRN DOT) 23,32
30		BRN	DI-C (YEL DOT)	23,32	HEYMAN (BRN) SOLDER
28		ORN	J1-12	12	HEYMAN (ORN) A SOLDER
28		ORN	T1-18	23	
27		WHT	T1-12	23	DI-F (GRN DOT) 23,32
27		WHT	DI-B (YEL DOT)	23,32	DI-F (GRN DOT)
30		BRN	DI-C (YEL DOT)	23,32	DI-E (GRN DOT)
29		GRN	DI-D	23,32	R1-2 SOLDER 32 TO 21 (R1)
29		GRN	C2-H (NEG)	23	R1-2
28		ORN	DI-A (RED DOT)		R1-1
28		ORN	C2-B (POS)		R1-1 23,32 SOLDER 32 TO 21 (R1)
29		GRN	C2-E (NEG)		C1-E (NEG)
28		ORN	C2-A (POS)		C1-A (POS)
29		GRN	C1-H (NEG)		HEYMAN (GRN) SOLDER BUS GRN TO GRN
28		ORN	C1-C (POS)		HEYMAN (ORN) B SOLDER ORN TO ORN
		RED	T1-10		C3
		BLK	T1-4		T1-7
		BLK	T1-2	23	T1-5

WIRING TABLE FOR 120V 60HZ OPERATION  
FOR 50 HZ OPERATION SEE DECAL B-DC-5309432-0-0

TRANS WIRE	T1-5	CBI-C	47	THRU SPLICE
43	14	RED	T1-5 GINCH JONES	47 CBI-B 47
43	14	RED	CBI-A	47 TB2 PIN1 53
27	14	WHT	TB2 PIN 3	53 T1-4 47

\* DISCONNECT T1-5 AND WIRE TO CBI-C

REVISIONS  
CHANGE NO.  
REV.

FIRST USED ON OPTION / MODEL  
++

DO NOT SCALE DRAWING  
UNLESS OTHERWISE SPECIFIED  
DIMENSION IN INCHES  
TOLERANCES  
PERIPHERALS: FRACTIONS ANGLES  
= .000 = .001 = .030  
FINAL SURFACE QUALITY  
REMOVE BURRS AND BREAK SHARP CORNERS

DRN: [Signature] DATE: 3-2-71  
CHK'D: [Signature] DATE: 3-2-71  
ENG: [Signature] DATE: 3-2-71  
PROJ. ENG: [Signature] DATE: 13 FEB 71  
PROD: [Signature] DATE: 3-2-71

digital EQUIPMENT CORPORATION  
MAYNARD, MASSACHUSETTS

TITLE  
H732  
POWER SUPPLY

NEXT HIGHER ASSY  
SCALE: 1:1  
SHEET 2 OF 2  
SIZE: 0036 NUMBER: DUA H732-2-0  
DIST.:

REV. C  
DUA H732-0-0









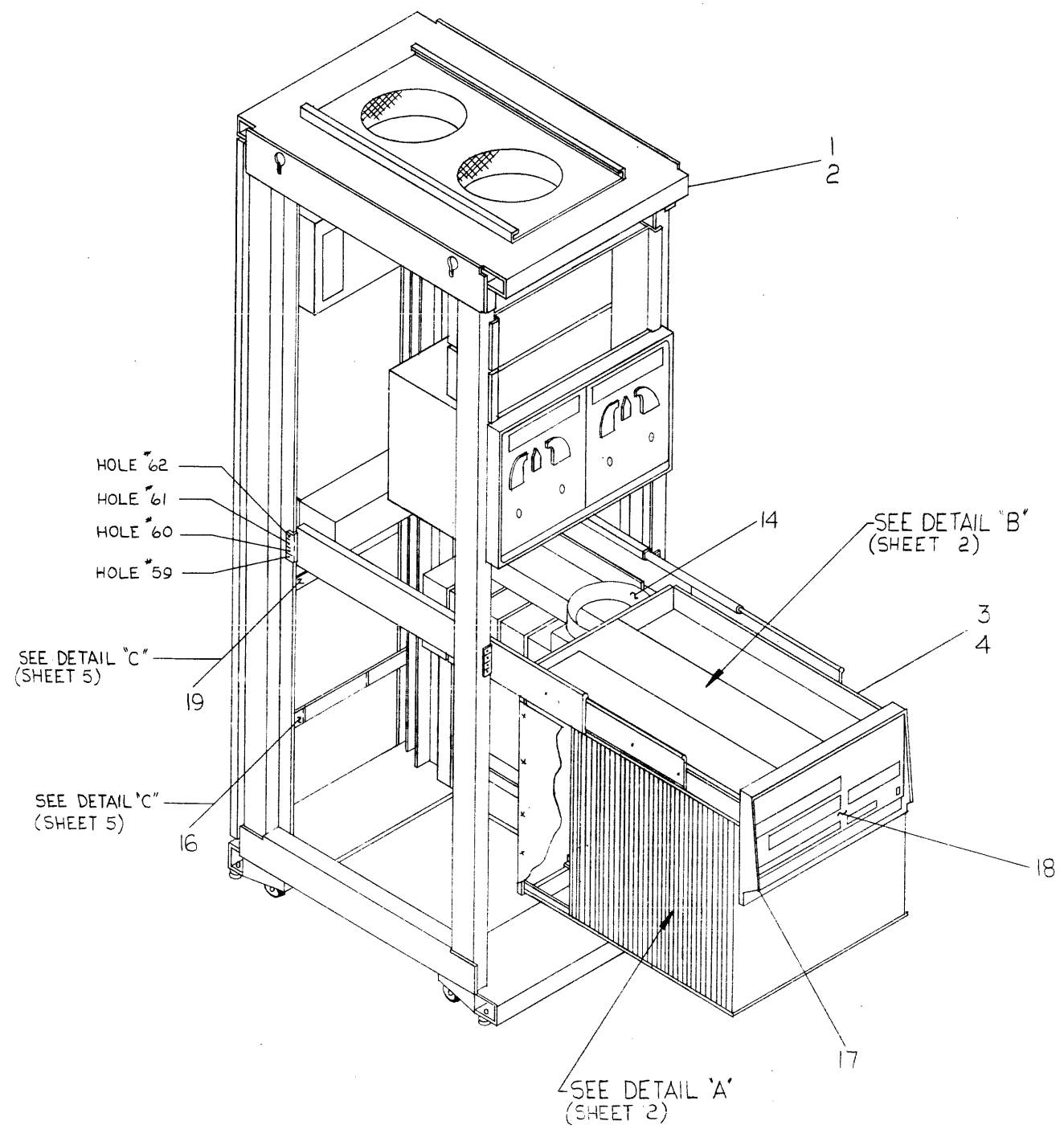


"THIS DRAWING AND SPECIFICATIONS, HEREIN, ARE THE PROPERTY OF DIGITAL EQUIPMENT CORPORATION AND SHALL NOT BE REPRODUCED OR COPIED OR USED IN WHOLE OR IN PART AS THE BASIS FOR THE MANUFACTURE OR SALE OF ITEMS WITHOUT WRITTEN PERMISSION. COPYRIGHT © 1974, DIGITAL EQUIPMENT CORPORATION"

0-0-9220102 DAD 7010229-0-0 2

LEGEND	
NUMBER	VARIATION
7010229-1	120V, 60 HZ
7010229-2	240V, 50 HZ

- NOTES:
1. REMOVE M930 UNIBUS TERMINATOR FROM SLOT AB09 OF THE MF11-UP. INSTALL IN SLOT AB02 OF THE TC11 LOGIC ASSY.
  2. REMOVE BOTH M920 UNIBUS JUMPERS AND REPLACE WITH ITEM #12.
  3. LOOP EXCESS BC05C-25 CABLE IN THE BOTTOM OF THE CABINET. A H315 MODEM TEST CONNECTOR (ITEM #5 OF A-PL-DL11-0-0) IS REQUIRED FOR TESTING THIS OPTION AND SHOULD BE INCLUDED AS PART OF THE ACCESSORY'S PACKAGE WHEN SHIPPED.
  4. THE 7009053-0-0 CONSOLE TO POWER CONTROL HARNESS (2 WIRE, 12 FEET) SHOULD NOT BE ROUTED WITH THE MAIN BODY HARNESS AS IS NORMALLY DONE BUT RATHER LEFT FREE OF ANY DRESSING VIA CABLE TIES BECAUSE IT WILL BE REROUTED AT THE NEXT HIGHER ASSEMBLY. END CONNECTIONS AT THIS LEVEL, HOWEVER, MAY BE MADE NORMALLY.
  5. REMOVE BOTH M688 MODULES FROM SLOTS E04 AND E05 AND THE M9300 MODULE FROM SLOT AB07 IN THE RH11.
  6. SEE THE 11/40-A AND TC11-G PRINT SETS FOR PARTS LISTS AND DETAILS OF CONSTRUCTION OF THESE SUBASSEMBLIES.



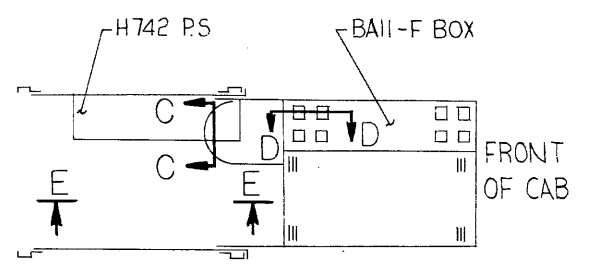
SEE PARTS LIST A-PL-7010229-0-0

FIRST USED ON OPTION/MODEL		QTY.	DESCRIPTION	PART NO.	ITEM NO.
KLI0					
PARTS LIST					
DIMENSIONAL TOLERANCE		DRN.	DATE		
DIMENSIONS ARE <u>MILLIMETERS</u> UNLESS OTHERWISE SPECIFIED		CHK'D.	DATE		
MILLIMETERS	INCHES	ENG.	DATE		
.XX ±0.10 .X ±0.5 X ±2.	.XXX ±.005 .XX ±.02 .X ±.1	PROJ. ENG. P.D.	DATE		
THIRD ANGLE PROJECTION		REMOVE BURRS AND BREAK SHARP CORNERS SURFACE QUALITY		TITLE	
MATERIAL		NEXT HIGHER ASSY.		1080 CONSOLE PROCESSOR	
FINISH		D-UA-KLI0-0-0		SIZE/CCDE	NUMBER
		SCALE		DAD	7010229-0-0
		SHEET 1 OF 8		DIST.	

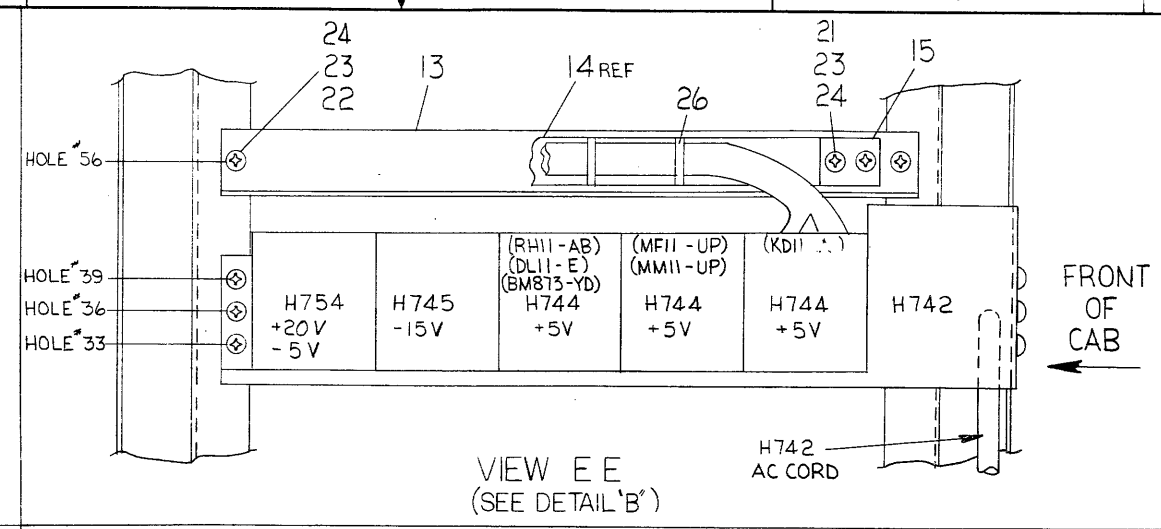
REVISIONS	REV.
CHANGE NO.	
CHK	

REV. NUMBER DAD 7010229-0-0

THIS DRAWING AND SPECIFICATIONS, HEREIN, ARE THE PROPERTY OF DIGITAL EQUIPMENT CORPORATION. IT SHALL NOT BE REPRODUCED OR COPIED OR USED IN WHOLE OR IN PART AS THE BASIS FOR THE MANUFACTURE OR SALE OF ITEMS WITHOUT WRITTEN PERMISSION. COPYRIGHT © 1974 DIGITAL EQUIPMENT CORPORATION

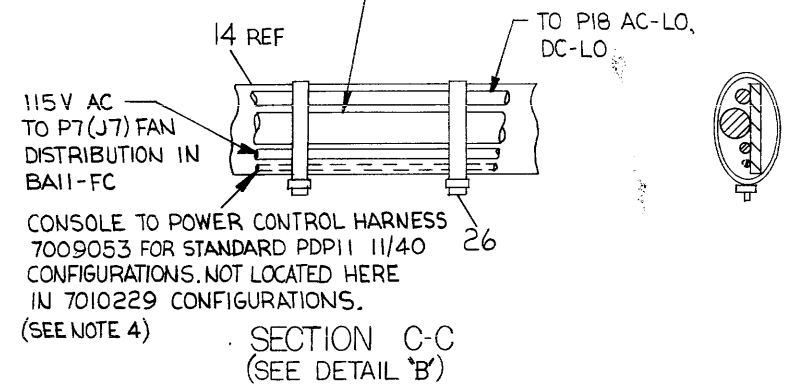


DETAIL 'B'  
TOP VIEW

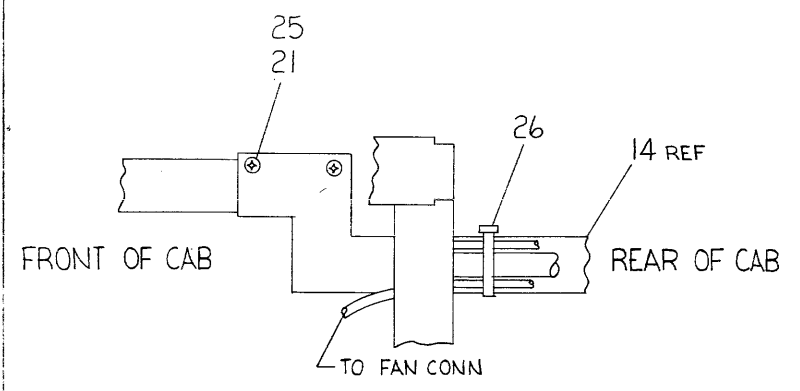


VIEW E E  
(SEE DETAIL 'B')

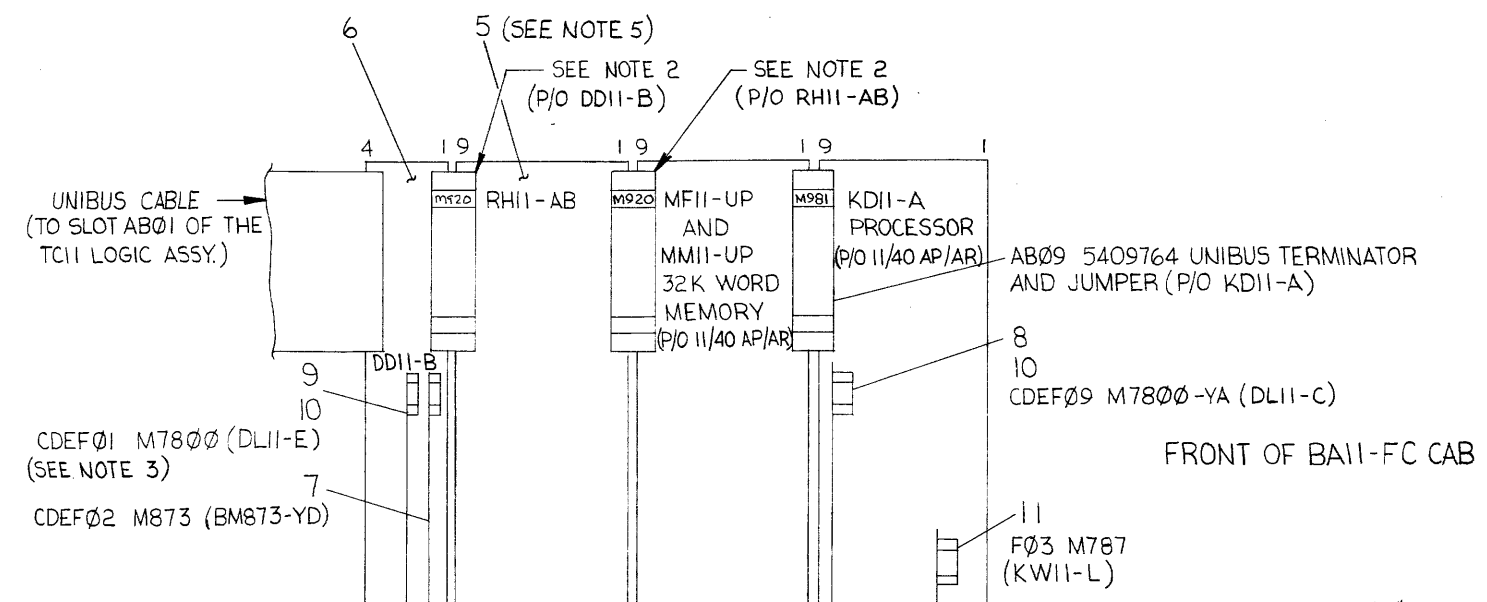
MAIN HARNESS, BODY (PART OF ITEMS #3 & #4) TO P1 THRU P6 OF POWER DISTRIBUTION PANEL (D-MD-7411220-0-0)



SECTION C-C  
(SEE DETAIL 'B')



SECTION D-D  
(SEE DETAIL 'B')



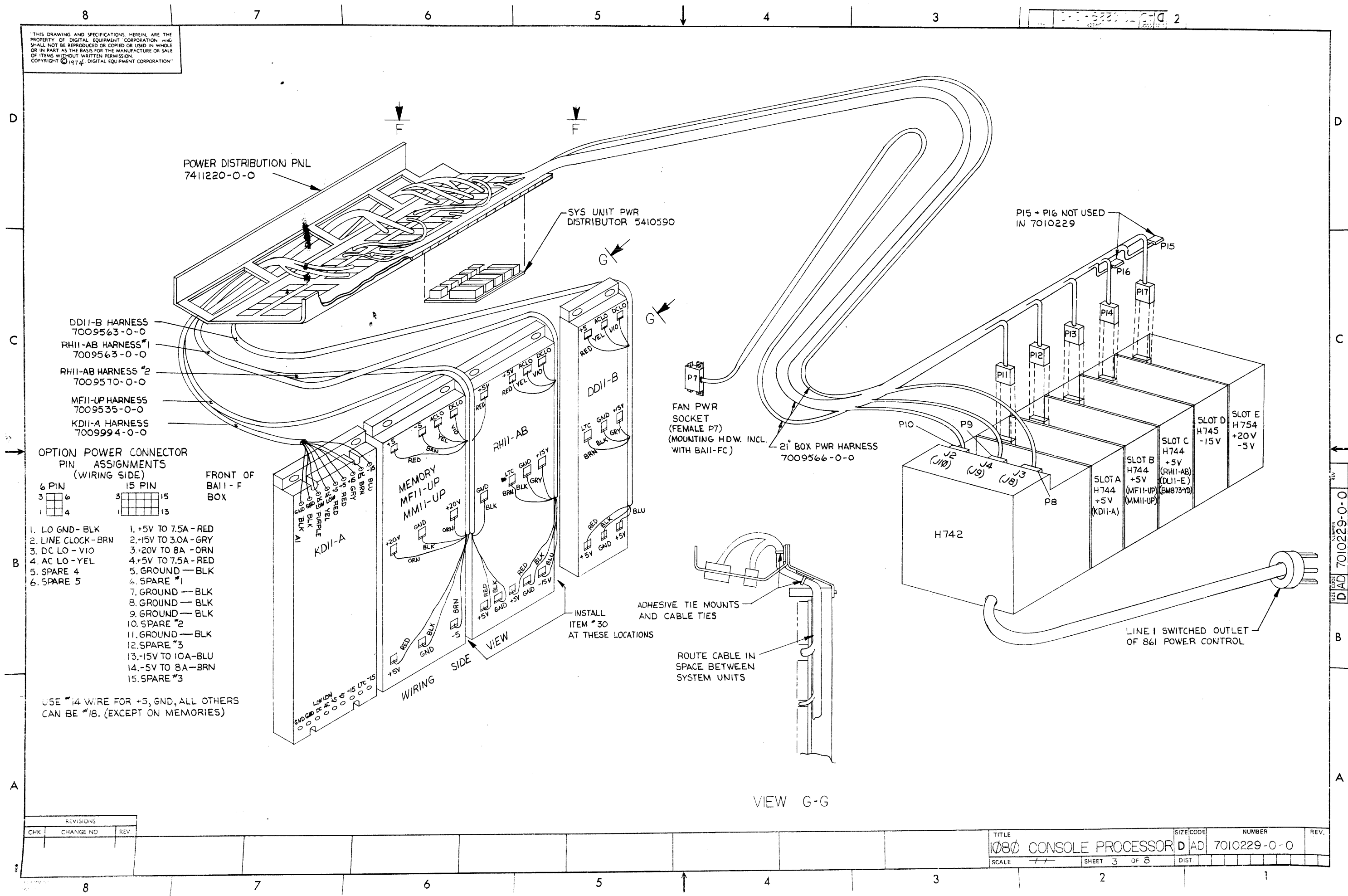
DETAIL 'A'  
MODULE SIDE VIEW

REVISIONS		
CHK	CHANGE NO	REV

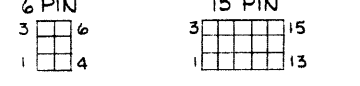
TITLE	SIZE CODE	NUMBER	REV.
1080 CONSOLE PROCESSOR	D AD	7010229-0-0	
SCALE	SHEET	OF	DIST.
	2	8	

REV. 1  
 NUMBER  
 D AD 7010229-0-0

THIS DRAWING AND SPECIFICATIONS, HEREIN, ARE THE PROPERTY OF DIGITAL EQUIPMENT CORPORATION AND SHALL NOT BE REPRODUCED OR COPIED OR USED IN WHOLE OR IN PART AS THE BASIS FOR THE MANUFACTURE OR SALE OF ITEMS WITHOUT WRITTEN PERMISSION. COPYRIGHT © 1974, DIGITAL EQUIPMENT CORPORATION



**OPTION POWER CONNECTOR PIN ASSIGNMENTS (WIRING SIDE)**



- |                     |                       |
|---------------------|-----------------------|
| 1. LO GND - BLK     | 11. GROUND - BLK      |
| 2. LINE CLOCK - BRN | 12. SPARE #3          |
| 3. DC LO - VIO      | 13. -15V TO 10A - BLU |
| 4. AC LO - YEL      | 14. -5V TO 8A - BRN   |
| 5. SPARE 4          | 15. SPARE #3          |
| 6. SPARE 5          |                       |

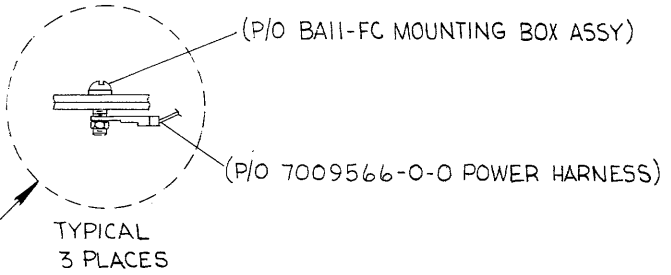
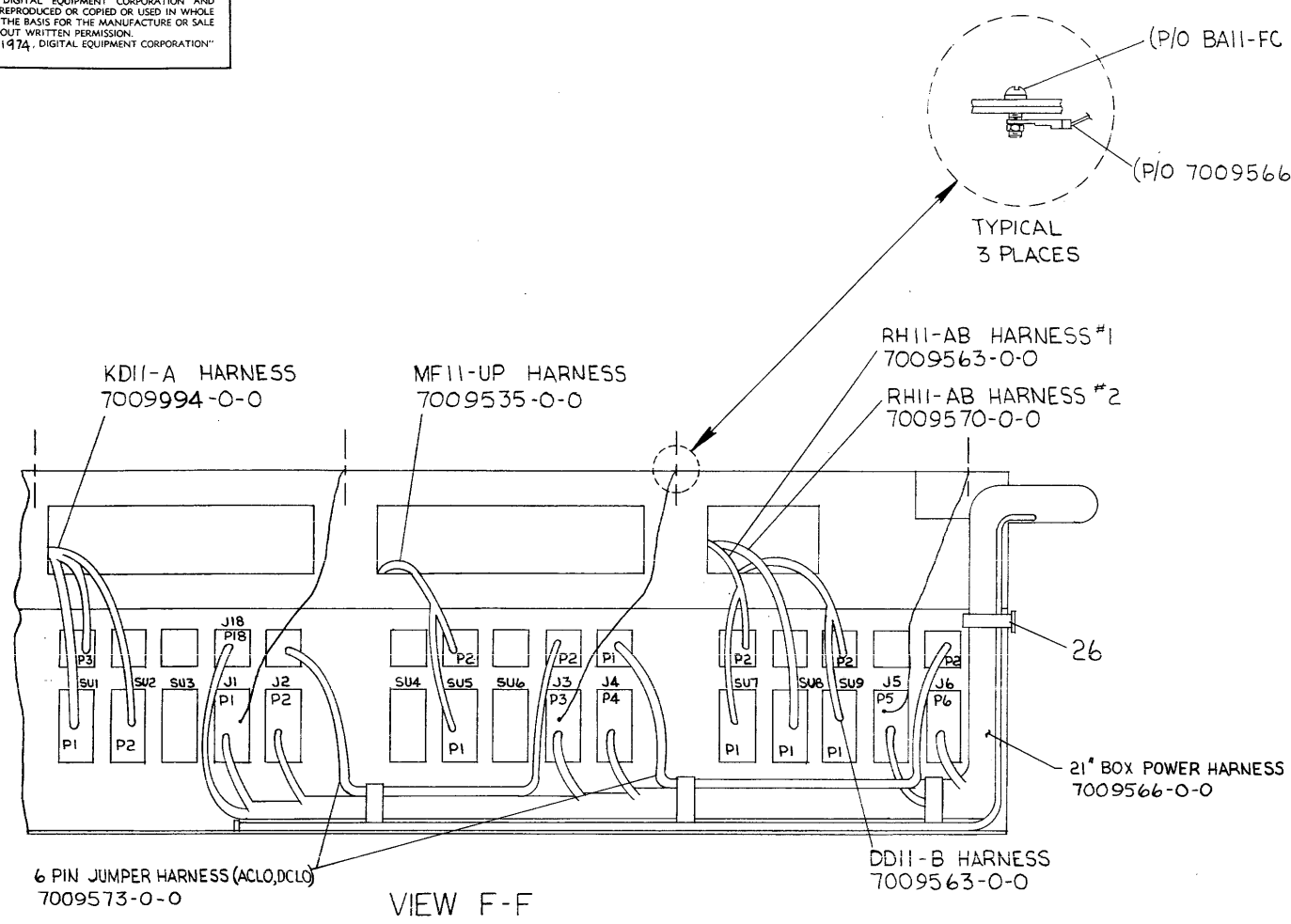
USE #14 WIRE FOR +5, GND, ALL OTHERS CAN BE #18. (EXCEPT ON MEMORIES)

REVISIONS		
CHK	CHANGE NO	REV

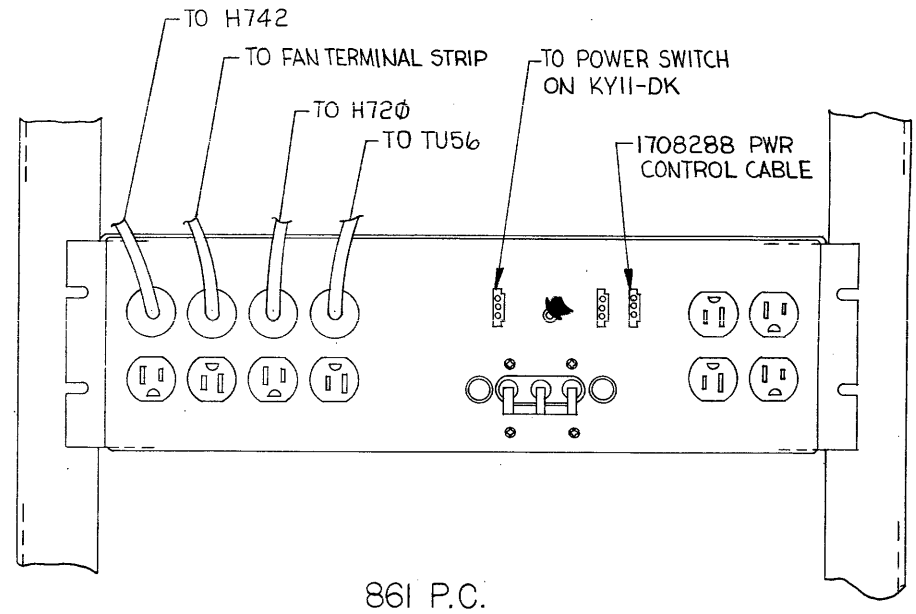
TITLE	1080 CONSOLE PROCESSOR	SIZE CODE	D AD	NUMBER	7010229-0-0	REV.	
SCALE	1:1	SHEET	3	OF	8	DIST	

SIZE CODE NUMBER REV  
D AD 7010229-0-0

"THIS DRAWING AND SPECIFICATIONS, HEREIN, ARE THE PROPERTY OF DIGITAL EQUIPMENT CORPORATION, AND SHALL NOT BE REPRODUCED OR COPIED OR USED IN WHOLE OR IN PART AS THE BASIS FOR THE MANUFACTURE OR SALE OF ITEMS WITHOUT WRITTEN PERMISSION. COPYRIGHT © 1974, DIGITAL EQUIPMENT CORPORATION"



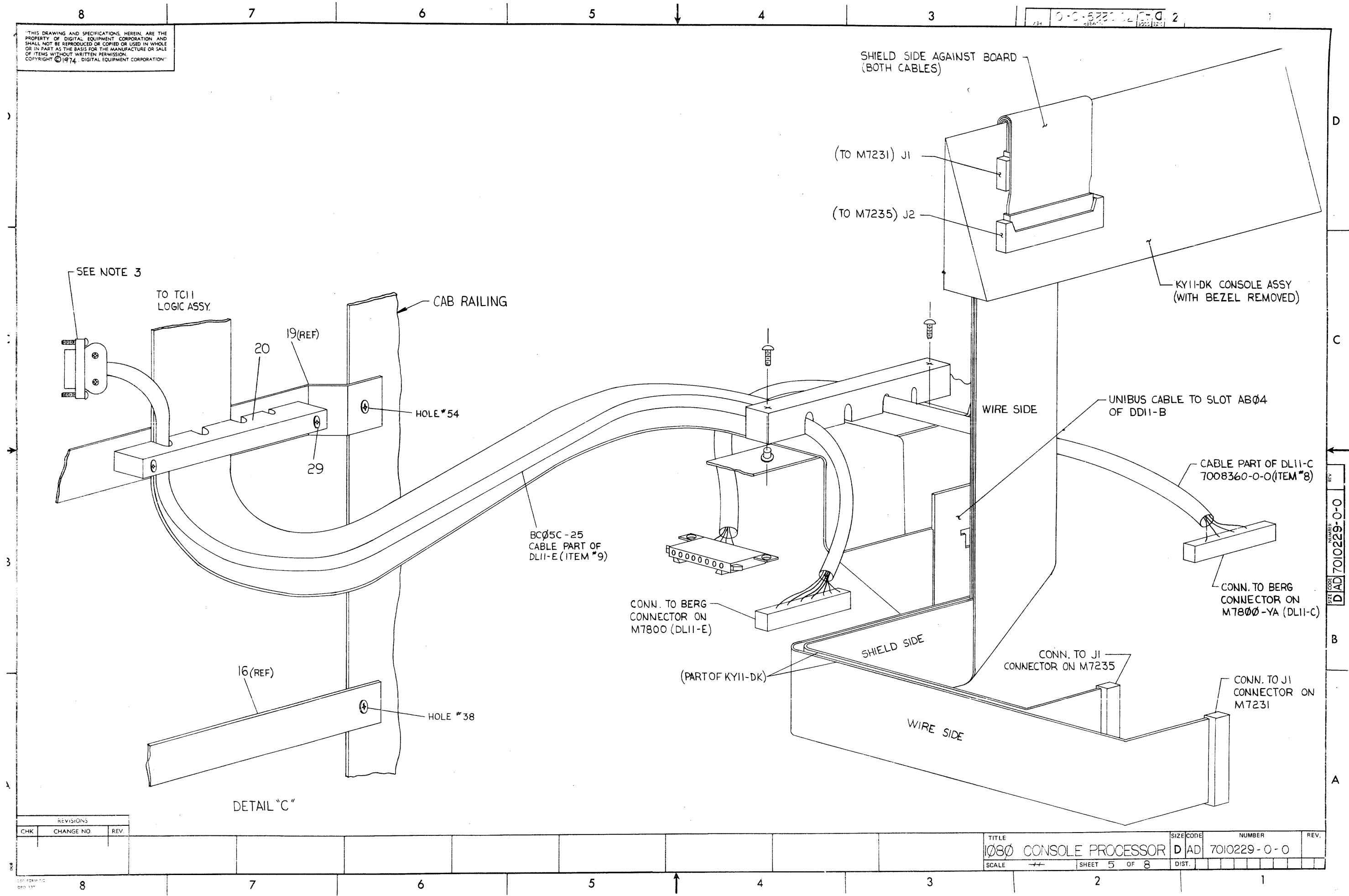
EXCEPT AS NOTED, ALL PARTS SHOWN ARE PROVIDED AS PART OF ITEM # 3+ITEM #4 (11/40-AP/AR)



REVISIONS		
CHK	CHANGE NO.	REV.

THIS DRAWING AND SPECIFICATIONS, HEREIN, ARE THE PROPERTY OF DIGITAL EQUIPMENT CORPORATION AND SHALL NOT BE REPRODUCED OR COPIED OR USED IN WHOLE OR IN PART AS THE BASIS FOR THE MANUFACTURE OR SALE OF ITEMS WITHOUT WRITTEN PERMISSION. COPYRIGHT © 1974, DIGITAL EQUIPMENT CORPORATION

0-0-5222-0-0 2



REVISIONS		
CHK	CHANGE NO	REV.

TITLE 1080 CONSOLE PROCESSOR  
 SIZE CODE D AD  
 NUMBER 7010229-0-0  
 SHEET 5 OF 8  
 SCALE --+  
 DIST. --+

SIZE CODE NUMBER  
 D AD 7010229-0-0

"THIS DRAWING AND SPECIFICATIONS, HEREIN, ARE THE PROPERTY OF DIGITAL EQUIPMENT CORPORATION AND SHALL NOT BE REPRODUCED OR COPIED OR USED IN WHOLE OR IN PART AS THE BASIS FOR THE MANUFACTURE OR SALE OF ITEMS WITHOUT WRITTEN PERMISSION. COPYRIGHT © 1974 DIGITAL EQUIPMENT CORPORATION"

**KD11-A 11/40 PROCESSOR (WIRE LIST REV F)**

**5410904 ETCHED BACKPLANE (ETCH REV C CS REV C)**

**M7231 DATA PATHS LOCATION ABCDEF04**

LOWEST ACCEPTABLE REVISION ETCH REV D CS REV D  
JUMPER TABLE

JUMPER	STATE	COMMENTS
W1	IN	WITH NO KT11-D OPTION
W2	IN (TO GND)	WITH NO KT11-D OR KJ11-A OPTIONS
W3	IN	WITH NO KT11-D OPTION
W4	IN	WITH NO KT11-D OPTION
W5	IN	WITH NO KT11-D OPTION
W6	IN	WITH NO KT11-D OPTION
W7	IN	WITH NO KT11-D OPTION
W8	IN	WITH NO KT11-D OPTION
W9	IN	WITH NO KT11-D OPTION
W10	IN (TO BUS)	WITH NO KT11-D OPTION

BC09R-03 CABLE FROM CONNECTOR J1 TO CONNECTOR J1 OF KY11-D CONSOLE (SHIELD AWAY FROM BOARD). BOARD IS NORMALLY RECEIVED IN CORRECT CONFIGURATION.

**M7232 MICRO WORD LOCATION ABCDEF03**

LOWEST ACCEPTABLE REVISION ETCH REV E CS REV F  
NO JUMPERS

NO CABLES ARE PLUGGED INTO CONNECTORS J1, J2 AND J3 WITH NO KE11-E AND KE11-F OPTIONS.

**M7233 IR DECODE LOCATION ABCDEF05**

LOWEST ACCEPTABLE REVISION ETCH REV D CS REV E  
JUMPER TABLE

JUMPER	STATE	COMMENTS
W1	IN	WITH NO KE11-A OPTION
W2	IN	DISABLE ESALUM INPUT

BOARD IS NORMALLY RECEIVED IN CORRECT CONFIGURATION.

**M7234 TIMING LOCATION ABCDEF07**

LOWEST ACCEPTABLE REVISION ETCH REV D CS REV F  
JUMPER TABLE

JUMPER	STATE	COMMENTS
W1	IN (TO BOVFL)	WITH NO KJ11-A OPTION
W2	IN (TO GND)	WITH NO KT11-D OPTION
W3	IN	REMOVE ONLY FOR XOR TESTING
W4	IN	REMOVE ONLY FOR XOR TESTING
W5	OUT	ENABLES PARITY MEMORY

CLOCK ADJUSTMENTS MADE WITH APPROPRIATE SWITCH (S1) SETTING (NOT NORMALLY CHANGED). BOARD IS NORMALLY RECEIVED IN CORRECT CONFIGURATION.

**M7235 STATUS LOCATION ABCDEF06**

LOWEST ACCEPTABLE REVISION ETCH REV E CS REV H  
JUMPER TABLE

JUMPER	STATE	COMMENTS
W1	IN (TO BOVFL)	WITH NO KJ11-A OPTION
W2	IN (TO "0")	COVERS ETCHED "W2"
W3	IN (TO "0")	COVERS ETCHED "W3"
W4	IN (TO "0")	COVERS ETCHED "W4"
W5	IN (TO "1")	COVERS ETCHED "W5"
W6	IN (TO "0")	COVERS ETCHED "W6"
W7	IN (TO "1")	COVERS ETCHED "W7"
W8	OUT	ENABLES PARITY MEMORY

W2-W7 JUMPERS FORM POWER FAIL/RESTART VECTOR ADDRESS 24 BC09R-03 CABLE FROM CONNECTOR J1 TO CONNECTOR J2 OF KY11-D CONSOLE (SHIELD AWAY FROM BOARD) BOARD IS NORMALLY RECEIVED IN CORRECT CONFIGURATION.

**M981 UNIBUS JUMPER/TERMINATOR LOCATION AB09**

LOWEST ACCEPTABLE REVISION ETCH REV F CS REV A  
CONNECTS LOCATION AB09 IN KD11-A TO LOCATION AB01 IN MF11-UP. NO JUMPERS OR OTHER CONFIGURABLE COMPONENTS.

**KY11-DK KL10 PROGRAMMERS CONSOLE**

**5409701-02 KL10 CONSOLE MODULE**

LOWEST ACCEPTABLE REVISION ETCH REV F CS REV L

**KW11-L CLOCK**

**M797 LINE TIME CLOCK LOCATION F03 (KD11-A BACKPLANE)**

LOWEST ACCEPTABLE REVISION ETCH REV D CS REV D

CLOCK STATUS REGISTER (LKS) 777546  
INTERRUPT VECTOR ADDRESS 100  
PRIORITY LEVEL BR6  
JUMPER WIRE IN KD11-A BACKPLANE BETWEEN PIN F03R2 AND PIN F03V2 MUST BE REMOVED WHEN THE KW11-L IS INSTALLED IN ORDER TO ENABLE SIGNAL BG 6 H.  
BOARD IS NORMALLY RECEIVED IN CORRECT CONFIGURATION.

**MF11-UP AND MM11-UP MEMORIES**

**5410345 ETCHED BACKPLANE**

LOWEST ACCEPTABLE REVISION ETCH REV C CS REV C

**M9293 16K UNIBUS TIMING LOCATIONS CDEF01 AND CDEF09**

LOWEST ACCEPTABLE REVISION ETCH REV C CS REV E  
JUMPER TABLE FOR LOCATION CDEF09

JUMPER	STATE	COMMENTS
W1	IN	WITH NO INTERLEAVING
W2	OUT	WITH NO INTERLEAVING
W3	IN	UPPER 16K ADDRESS BIT A13
W4	IN	UPPER 16K ADDRESS BIT A14
W5	OUT	UPPER 16K ADDRESS BIT A15
W6	IN	UPPER 16K ADDRESS BIT A16
W7	IN	UPPER 16K ADDRESS BIT A17
W8	OUT	WITH NO INTERLEAVING
W9	OUT	WITH NO INTERLEAVING
W10	OUT	WITH NO INTERLEAVING

JUMPER TABLE FOR LOCATION CDEF01

JUMPER	STATE	COMMENTS
W1	IN	WITH NO INTERLEAVING
W2	OUT	WITH NO INTERLEAVING
W3	IN	LOWER 16K ADDRESS BIT A13
W4	IN	LOWER 16K ADDRESS BIT A14
W5	IN	LOWER 16K ADDRESS BIT A15
W6	IN	LOWER 16K ADDRESS BIT A16
W7	IN	LOWER 16K ADDRESS BIT A17
W8	OUT	WITH NO INTERLEAVING
W9	OUT	WITH NO INTERLEAVING
W10	OUT	WITH NO INTERLEAVING

THIS BOARD MAY NOT BE INDIVIDUALLY REPLACED AS IT IS PART OF A SET. WHEN FIELD REPLACEMENT IS NECESSARY THE ENTIRE SET MUST BE REPLACED (H217C, G114, G235, M9293).

**G235 X-Y DRIVE LOCATIONS ABCDEF05 AND ABCDEF06**

LOWEST ACCEPTABLE REVISION ETCH REV D CS REV K  
JUMPER TABLE FOR BOTH LOCATIONS

JUMPER	STATE	COMMENTS
W1	*	SENSE STROBE TIMING
W2	*	SENSE STROBE TIMING
W3	*	SENSE STROBE TIMING
W4	*	SENSE STROBE TIMING
W5	*	SENSE STROBE TIMING
W6	*	MEMORY DRIVE BIAS CURRENT
W7	*	MEMORY DRIVE BIAS CURRENT

\*THE APPROPRIATE JUMPERS IN THIS GROUP ARE INSTALLED DURING MEMORY BUILD TIME TO OPTIMIZE STROBE TIME AND BIAS CURRENT FOR THE OTHER MODULES WITH WHICH IT IS USED (M9293, G114 AND H217). THIS GROUP OF MODULES COMPRISE A SET. INDIVIDUAL MODULES IN THIS SET MAY NOT BE INDISCRIMINATELY INTERCHANGED WITHOUT SPECIFIC ADJUSTMENTS WHICH CAN ONLY BE DONE AT THE FACTORY. WHEN FIELD REPLACEMENT IS NECESSARY, THE ENTIRE SET MUST BE REPLACED (H217C, G114, G235 AND M9293).

**G114 16K SENSE/INHIBIT LOCATIONS ABCDEF03 AND ABCDEF09**

LOWEST ACCEPTABLE REVISION ETCH REV C CS REV D  
NO JUMPERS OR OTHER CONFIGURABLE COMPONENTS.

THIS BOARD MAY NOT BE INDIVIDUALLY REPLACED AS IT IS PART OF A SET. WHEN FIELD REPLACEMENT IS NECESSARY, THE ENTIRE SET MUST BE REPLACED (H217C, G114, G235 AND M9293).

**H217C STACK BOARD LOCATIONS ABCDEF04 AND ABCDEF07**

LOWEST ACCEPTABLE REVISION ETCH REV N/A CS REV N/A  
JUMPERS W1 AND W2 ARE CURRENT LOOPS USED FOR TEST PURPOSES ONLY. THIS BOARD MAY NOT BE INDIVIDUALLY REPLACED AS IT IS PART OF A SET. WHEN FIELD REPLACEMENT IS NECESSARY, THE ENTIRE SET MUST BE REPLACED (H217C, G114, G235 AND M9293).

**M7259 PARITY CONTROL LOCATION AB02**

LOWEST ACCEPTABLE REVISION ETCH REV D CS REV F  
JUMPER TABLE

JUMPER	STATE	COMMENTS
W1	IN	ADDRESS BIT A01
W2	IN	ADDRESS BIT A02
W3	IN	ADDRESS BIT A03
W4	IN	ADDRESS BIT A04
W5	OUT	USED FOR EXTERNAL CAP IF REQUIRED
W6	IN	IN FOR -UP VERSIONS
W7	IN	DON'T HANG BUS ON PARITY ERROR

W1-W4 CORRESPOND TO A CSR ADDRESS OF 772100- ONLY ONE BOARD REQUIRED PER 32K OF CORE. R16 IS USED TO ADJUST TIME BETWEEN LOW GOING EDGE OF SIGNAL MEASURED ON PIN B02U1 AND HIGH GOING EDGE OF SIGNAL MEASURED ON PIN A02S2 TO 135NS. BOARD IS NORMALLY RECEIVED IN CORRECT CONFIGURATION.

**M930 UNIBUS TERMINATOR LOCATION AB09**

LOWEST ACCEPTABLE REVISION ETCH REV D CS REV D

THIS TERMINATOR WILL BE MOVED TO LOCATION AB02 OF THE TD11 LOGIC ASSEMBLY WHEN COMPLETE SYSTEM IS CONFIGURED. NO JUMPERS OR OTHER CONFIGURABLE COMPONENTS.

**RH11-AB MASSBUS CONTROLLER**

**5410506 ETCHED BACKPLANE**

LOWEST ACCEPTABLE REVISION ETCH REV D CS REV C

**M7294 DATA BUFFER CONTROL LOCATION ABCDEF03**

LOWEST ACCEPTABLE REVISION ETCH REV C CS REV D  
JUMPER TABLE

JUMPER	STATE	COMMENTS
W1	IN	SENSE UNIBUS A PARITY ERROR
W2	IN	SENSE UNIBUS B PARITY ERROR
E66, PINS 1-16	IN	START COUNT 64 WORDS
E66, PINS 5-12	OUT	START COUNT 32 WORDS
E66, PINS 7-10	OUT	START COUNT 16 WORDS
E66, PINS 2-15	IN	DISABLE HOG MODE
E66, PINS 3-14	OUT	ENABLE BACK TO BACK MEM. CYCLES

BOARD IS NORMALLY RECEIVED IN CORRECT CONFIGURATION.

**M7295 BUS CONTROL LOCATION ABCDEF02**

LOWEST ACCEPTABLE REVISION ETCH REV E CS REV D  
JUMPER TABLE

JUMPER	STATE	COMMENTS
W1	OUT	ADDRESS BIT 12
W2	OUT	ADDRESS BIT 11
W3	OUT	ADDRESS BIT 10
W4	IN	ADDRESS BIT 09
W5	OUT	ADDRESS BIT 08
W6	OUT	ADDRESS BIT 07
W7	OUT	ADDRESS BIT 06
W8	IN	ADDRESS BIT 05
E3, PINS 1-16	OUT	16-32 REGISTERS
E3, PINS 2-15	OUT	16-32 REGISTERS
E3, PINS 3-14	IN	1-16 REGISTERS
E3, PINS 4-13	IN	1-16 REGISTERS
E3, PINS 5-12	IN	SIXTEEN REGISTERS
E3, PINS 6-11	OUT	EIGHT REGISTERS
E3, PINS 7-10	IN	FOUR REGISTERS
E3, PINS 8-9	OUT	TWO REGISTERS
W11	IN	VECTOR BIT V2
W12	IN	VECTOR BIT V3
W13	OUT	VECTOR BIT V4
W14	IN	VECTOR BIT V5
W15	OUT	VECTOR BIT V6
W16	IN	VECTOR BIT V7
W17	OUT	VECTOR BIT V8
W18	IN	NPR LATENCY
W19	IN	MAINTENANCE (MXF ERRORS)

W1-W8 CORRESPOND TO A BASE ADDRESS OF 776700  
W11-W17 CORRESPOND TO A VECTOR ADDRESS OF 254  
JUMPERS ON E3 ARE SET FOR 20 REGISTERS  
DIP SITE E57 CONTAINS PRIORITY PLUG 5409776-0-0 (BR5)  
BOARD IS NORMALLY RECEIVED IN CORRECT CONFIGURATION.

**M7296 CONTROL AND STATUS REGISTERS LOCATION EF01**

LOWEST ACCEPTABLE REVISION ETCH REV C CS REV B  
INSTALL JUMPER W1 TO ALLOW ONLY UNIBUS A TO BE SELECTED.

**M7297 PARITY CONTROL LOCATION CD01**

LOWEST ACCEPTABLE REVISION ETCH REV B CS REV B  
NO JUMPERS OR OTHER CONFIGURABLE COMPONENTS  
THERE ARE TWO VISUAL INDICATORS (LEDS) FOR MASSBUS PARITY ERROR DISPLAY ON THIS BOARD (LIT IF PARITY ERROR DETECTED).

**M9300 UNIBUS B TERMINATOR LOCATION AB08**

LOWEST ACCEPTABLE REVISION ETCH REV A CS REV 0  
JUMPER TABLE

JUMPER	STATE	COMMENTS
W1	OUT	BEGINNING OF BUS
W2	IN	NOT END OF BUS
W3	IN	NOT END OF BUS

THERE IS A VISUAL INDICATOR (LED) FOR AN ILLEGAL JUMPER CONFIGURATION CHECK (LIT IF ILLEGAL).

**M5904 CONTROLLER TRANSCEIVER LOCATIONS CD04, CD05 AND CD06**

LOWEST ACCEPTABLE REVISION ETCH REV E CS REV E  
NO JUMPERS OR OTHER CONFIGURABLE COMPONENT.

FIRST USED ON OPTION/MODEL	QTY.	DESCRIPTION	PART NO.	ITEM NO.
KL10				
PARTS LIST				
DIMENSIONAL TOLERANCE		DATE	digital	
DIMENSIONS ARE MILLIMETERS UNLESS OTHERWISE SPECIFIED		DATE		
MILLIMETERS	INCHES	ANGLES	TITLE	
XXX ±0.10	.XXX ±0.006	±0° 30'	1080 CONSOLE PROCESSOR	
XX ±0.5	.XX ±0.02		SIZE CODE	
X ±2	.X ±0.1		D AD 7010229-0-0	
THIRD ANGLE PROJECTION	REMOVE BURRS AND BREAK SHARP CORNERS SURFACE QUALITY	NEXT HIGHER ASSY.	REV.	
MATERIAL	FINISH	SCALE	SHEET 6 OF 8	

REV. 0-0-0-222010-0-0

A

B



"THIS DRAWING AND SPECIFICATIONS HEREIN ARE THE PROPERTY OF DIGITAL EQUIPMENT CORPORATION AND SHALL NOT BE REPRODUCED OR COPIED OR USED IN WHOLE OR IN PART AS THE BASIS FOR THE MANUFACTURE OR SALE OF ITEMS WITHOUT WRITTEN PERMISSION. COPYRIGHT © 1974, DIGITAL EQUIPMENT CORPORATION"

RH11-AB (CONTINUED)

M688 UNIBUS POWER FAIL DRIVERS LOCATIONS E04 AND E05

NOTE: THE M688'S IN THESE TWO LOCATIONS ARE NOT REQUIRED BY THE PARTICULAR SYSTEMS CONFIGURATION IN WHICH THIS RH11 WILL BE USED AND HENCE MUST BE REMOVED FROM THE SYSTEM.

GENERAL NOTE:

THE THREE SPC SLOTS IN LOCATIONS CDEF07, CDEF08 AND CDEF09 WILL NOT EXIST IN BACKPLANES WIRED TO WIRELIST K-WL-RH11-0-12 REV OR HIGHER. THE THREE 6727 GRANT CONTINUITY MODULES WILL NOT BE NEEDED IN THESE BACKPLANES.

DL11-E REMOTE LINK CONTROLLER

M7800 ASYNC. LINE INTERFACE LOCATION CDEF01 (DD11-B BACKPLANE)

LOWEST ACCEPTABLE REVISION ETCH REV G CS REV L JUMPER TABLE

Table with columns: JUMPER, STATE, COMMENTS. Lists jumpers J1 through V8 with their states and functions like EIA REQUEST TO SEND, DATA SET INTERRUPTS, etc.

THE STOP BIT JUMPERING CORRESPONDS TO ONE STOP BIT. THE PARITY BIT JUMPERING CORRESPONDS TO NO HARDWARE PARITY. THE DATA BIT JUMPERING CORRESPONDS TO EIGHT DATA BITS. A3-A10 CORRESPOND TO A BASE ADDRESS OF 775610. V3-V8 CORRESPOND TO A VECTOR ADDRESS OF 300. OPERATING SPEED = 300 BAUD (SWITCH POSITION #2 FOR BOTH TRANSMIT AND RECEIVE). CRYSTAL = 1805501-7 (4.600MHZ - SPEED GROUP #4). PRIORITY PLUG = 5408776-0-0 (BR4). RECEIVER STATUS REGISTER (RCSR) 775610. RECEIVED DATA BUFFER REGISTER (RBUF) 775612. TRANSMITTER STATUS REGISTER (XCSR) 775614. TRANSMITTED DATA BUFFER REGISTER (XBUF) 775616.

BM973-YD BOOTSTRAP ROM LOADER

M973-YD RESTART LOADER LOCATION CDEF02 (DD11-B BACKPLANE)

LOWEST ACCEPTABLE REVISION ETCH REV C CS REV D DIODE INSTALLATION TABLE

Table with columns: DIODE, STATE, COMMENTS. Lists diodes D1 through D32 with their states and bit/word locations.

JUMPER TABLE

Table with columns: JUMPER, STATE, COMMENTS. Lists jumpers W1, W2, W3 with their states and comments regarding 11/40 use.

RESISTOR R3 MUST BE REMOVED. INPUT #1 OFFSET ADDRESS 800. INPUT #2 OFFSET ADDRESS 304. INPUT #3 OFFSET ADDRESS 014. INPUT #4 OFFSET ADDRESS 534.

DD11-B PERIPHERAL MOUNTING PANEL (WIRE LIST REV B)

5410057 ETCHED BACKPLANE

LOWEST ACCEPTABLE REVISION ETCH REV C CS REV B

H742 11/40 BULK POWER SUPPLY (CS REV E)

H744 +5V REGULATOR

LOWEST ACCEPTABLE REVISION ETCH REV H CS REV M

H745 -15V REGULATOR

LOWEST ACCEPTABLE REVISION ETCH REV E CS REV M

H754 +20V, -5V REGULATOR

LOWEST ACCEPTABLE REVISION ETCH REV H CS REV H

5409730 POWER CONTROL BOARD 11/45

LOWEST ACCEPTABLE REVISION ETCH REV E CS REV P

DL11-C CONSOLE TERMINAL CONTROLLER

M7800-YA ASYNC. LINE INTERFACE LOCATION CDEF09 (KD11-A BACKPLANE)

LOWEST ACCEPTABLE REVISION ETCH REV F CS REV D JUMPER TABLE

Table with columns: JUMPER, STATE, COMMENTS. Lists jumpers J1 through V8 with their states and functions like EIA REQUEST TO SEND, DATA SET INTERRUPTS, etc.

THE STOP BIT JUMPERING CORRESPONDS TO ONE STOP BIT. THE PARITY BIT JUMPERING CORRESPONDS TO NO HARDWARE PARITY. THE DATA BIT JUMPERING CORRESPONDS TO EIGHT DATA BITS. A3-A10 CORRESPOND TO A BASE ADDRESS OF 777560. V3-V8 CORRESPOND TO A VECTOR ADDRESS OF 60. OPERATING SPEED = 300 BAUD (SWITCH POSITION #2 FOR BOTH TRANSMIT AND RECEIVE). CRYSTAL = 1805501-7 (4.600MHZ - SPEED GROUP #4). PRIORITY PLUG = 5408776-0-0 (BR4). RECEIVER STATUS REGISTER (RCSR) 777560. RECEIVED DATA BUFFER REGISTER (RBUF) 777562. TRANSMITTER STATUS REGISTER (XCSR) 77584. TRANSMITTED DATA BUFFER REGISTER (XBUF) 77586.

Table with columns: REVISIONS, CHK, CHANGE NO., REV.

"THIS DRAWING AND SPECIFICATIONS, HEREIN, ARE THE PROPERTY OF DIGITAL EQUIPMENT CORPORATION. AND SHALL NOT BE REPRODUCED OR COPIED OR USED IN WHOLE OR IN PART AS THE BASIS FOR THE MANUFACTURE OR SALE OF ITEMS WITHOUT WRITTEN PERMISSION. COPYRIGHT © 1974, DIGITAL EQUIPMENT CORPORATION"

TC11/TU56 DECTAPE CONTROLLER/DRIVE

MODULE	DESCRIPTION	LOWEST ACCEPTABLE ETCH REV	LOWEST ACCEPTABLE CS REV	TC11 LOCATIONS	TU56 LOCATIONS
G736	PRIORITY PLUG	A	N/A	D05	---
G742	POS. LOGIC JUMPER	A	N/A	---	A05
G847	DUAL MOTOR CONTROL	E	D	---	B03, B18
G848	MOTOR DRIVE	M	K	---	AB01, AB02, AB19, AB20
G851	5-RELAYS	B	B	---	AB09, AB12
G859	CLOCK REGULATOR	A	C	---	A03
G879	TRANSPORT DETECTOR	A	0	B18	---
G888	MANCHESTER R/W	A	B	A21, A23, B20, B21, B23	---
M040	SOLENOID DRIVER	E	F	---	A08, A15
M050	50MA INDICATOR DRIV.	B	D	B24	---
M105	ADDRESS SELECTOR	C	C	B04	---
M111	16-INVERTERS	C	A	C06, D12, D16	---
M112	10-2-INPUT NOR	D	D	B12, D13, D22	---
M113	10-2-INPUT NAND	D	C	A13, B13, D06, C07, D08, C17, D20, D21	B05, B06, B16
M115	8-3-INPUT NAND	C	C	C08, C09, D14, C19, C21	---
M117	6-4-INPUT NAND	E	E	D17, C20, C23	B07, A16
M119	3-8-INPUT NAND	B	B	D15	---
M121	6-2,2-INPUT AND/NOR	B	C	A15, B15, A17, B17, C16	---
M127	3-2,2,2,3-INPUT AND/NOR	A	0	C13	---
M141	3-2,2,2,2-INPUT NAND/NOR	B	B	D04	---
M149	9X2 NAND WIRED OR	C	B	A09, B09	---
M161	BINARY TO OCTAL/DEC CONV.	C	B	A18, C12	---
M202	3-J-K FLIP FLOP	A	B	C22	---
M203	8-R-S FLIP FLOP	C	B	D07	---
M205	5-D FLIP FLOP	A	B	B11, A14, B14, A16, B16, D19	---
M206	6-D FLIP FLOP	C	B	A11, C14	---
M207	6-J-K FLIP FLOP	E	E	C15	---
M228	MARK/TRACK DECODER	A	0	C018	---
M239	3-4 BIT COUNT./REG.	A	A	D12	---
M302	2-ONE SHOT	L	L	A10, D10	B08
M307	2-INTEGRATING ONE SHOT	B	C	B10, C04, D05, D11	---
M502	2-NEG. LEVEL CONV.	C	C	B19	---
M602	2-PULSE AMP.	A	C	D09	---
M606	6-PULSE GEN.	B	B	D23	---
M611	6-HI SPEED POWER INV.	A	B	A19, C11	---
M627	6-4-INPUT POWER NAND	A	F	C10	---
M783	12-UNIBUS NAND DRIV.	B	0	A08, B08	---
M784	16-UNIBUS RECEIVER	C	C	A05, A06	---
M795	WORD COUNT/BUS ADR.	D	C	AB07	---
M796	UNIBUS MASTER CONT.	C	D	B06	---
M798	16-UNIBUS AND DRIV.	B	A	A04	---
M7821	INTERRUPT CONTROL	C	E	B05	---
M941	JUMPER/EXTENDER	A	N/A	---	A04, A18

TC11/TU56 (CONTINUED)

JUMPER TABLE FOR M105

JUMPER	STATE	COMMENTS
3	IN	ADDRESS BIT A03
4	IN	ADDRESS BIT A04
5	OUT	ADDRESS BIT A05
6	OUT	ADDRESS BIT A06
7	OUT	ADDRESS BIT A07
8	IN	ADDRESS BIT A08
9	OUT	ADDRESS BIT A09
10	OUT	ADDRESS BIT A10
11	OUT	ADDRESS BIT A11
12	OUT	ADDRESS BIT A12

JUMPERING CORRESPONDS TO A BASE ADDRESS OF 777340

JUMPER TABLE FOR M7821

JUMPER	STATE	COMMENTS
2	IN	VECTOR BIT V02
3	IN	VECTOR BIT V03
4	OUT	VECTOR BIT V04
5	OUT	VECTOR BIT V05
6	OUT	VECTOR BIT V06
7	IN	VECTOR BIT V07
8	OUT	VECTOR BIT V08

JUMPERING CORRESPONDS TO A VECTOR ADDRESS OF 214  
 PRIORITY PLUG FOR M736 = 5408700-0-0 (BR6)  
 CONTROL AND STATUS REGISTER (TCST) 777340  
 COMMAND REGISTER (TCOM) 777342  
 WORD COUNT REGISTER (TCWC) 777344  
 BUS ADDRESS REGISTER (TCBA) 777346  
 DATA REGISTER (TCDT) 777350  
 LIGHT CABLE (M904) CONNECTED TO TC11 SLOT C24  
 COMMAND CABLE BC02X-3 (M908) CONNECTED BETWEEN TC11 SLOT A20 AND TU56 SLOT A07  
 ANALOG CABLE BC05-3D (M932) CONNECTED BETWEEN TC11 SLOT AB22 AND TU56 SLOT AB11  
 COMMAND CONTINUATION CABLES (M922) CONNECTED TO TU56 SLOTS B04 AND B17

REVISIONS

CHK	CHANGE NO.	REV.

DIGITAL EQUIPMENT CORPORATION  
MAYNARD, MASSACHUSETTS

PARTS LIST

MADE BY M. ARCHIE  
DATE 11-14-74  
ENG *Ragnom Olaf*  
DATE *1-15-75*  
CHECKED *Conely*  
DATE *1-9-75*  
PROD *Ragnom*  
DATE *1-15-75*  
SECTION  
ISSUED SECT.

ITEM NO.	DWG NO. / PART NO.	DESCRIPTION	QUANTITY / VARIATION
1	D-UA-TC11-00-0	DECTAPE ASSY (INCLS CAB-120V)	1
2	D-UA-TC11-00-0	DECTAPE ASSY (INCLS CAB-240V)	1
3	D-UA-11/40-AP	BASIC 11/40 (32K PAR MEM 120V)	1
4	D-UA-11/40-AR	BASIC 11/40 (32K PAR MEM 240V)	1
5	D-UA-RH11-AB-0	MASSBUS CONTROLLER	1
6	A-PL-DD11-B-0	PERIPHERAL MTG PANEL	1
7	D-CS-BM873-YD	BOOTSTRAP LOADER (KLI0)	1
8	A-PL-DL11-C-0	ASYNC. LINE INT (CONSOLE TERMINAL)	1
9	A-PL-DL11-E-0	ASYNC. LINE INT (REMOTE LINK)	1
10	A-PS-1805501-07-0	CRYSTAL (4.608 MHZ)	2
11	A-PL-KW11-L-0	LINE TIME CLOCK	1
12	D-UA-BC11A-02	UNIBUS JUMPER (24")	2
13	D-MD-7409445-0-0	BRACKET, SUPPORT, HARNESS	1
14	D-IA-7409446-0-0	SUPPORT, HARNESS	1
15	B-MD-7409447-0-0	PLATE, SUPPORT	1
16	C-MD-7409312-0-0	BRACKET, SHIPPING	1
17	E-IA-7409305-2-0	BEZEL, REWORK (INCLS BEZEL)	1*
18	A-PL-7009402-0-0	CONSOLE REWORK (INCLS SILK SCRNB)	1*
19	C-IA-7410581-0-0	BRACKET, CABLE HOLD-DOWN	1
20	D-PS-1211215-0-0	CABLE CLAMP AND STRAP	1
21	9006073-1	SCREW, PHL PAN HD #10-32 X .50	24
22	9006074-1	SCREW, PHL PAN HD #10-32 X .62	6

TITLE  
1080 CONSOLE PROCESSOR  
ASSY NO. D-AD-7010229-0-0  
SIZE CODE A PL  
NUMBER 7010229-0-0  
SHEET 1 OF 2

DEC FORM DEC 16-(325)-1031-N870  
DRA 110

DIGITAL EQUIPMENT CORPORATION  
MAYNARD, MASSACHUSETTS

PARTS LIST

MADE BY M. ARCHIE  
DATE 11-14-74  
ENG *Ragnom Olaf*  
DATE *1-15-75*  
CHECKED *C Mc Coy*  
DATE *1-9-75*  
PROD *Ragnom*  
DATE *1-15-75*  
SECTION  
ISSUED SECT.

ITEM NO.	DWG NO. / PART NO.	DESCRIPTION	QUANTITY / VARIATION
23	9007651	WASHER, EXT TOOTH LOCK #10	28
24	9007786	NUT, TIMMERMAN #10-32	28
25	9005565	NUT, KEPS #10-32	2
26	9007880	CABLE TIE, NYLON SST-1.5M	20
27	9003264	MOUNT, CABLE TIE, ADHESIVE BACK	10
28	9007867	MOUNT, CABLE TIE, PUSH ON	10
29	9003905-1	SCREW, PHL PAN HD #8-32 X 1.11 LG	2
30	D-IA-7010167-0-0	SUPPORT, HARNESS	2

\*ITEMS INDICATED ARE INCLUDED FOR COMPLETENESS OF ASSY, BUT BEZEL AND SILK SCREEN SHOULD NOT BE INSTALLED UNTIL FINAL SHIP TO END CUSTOMER.

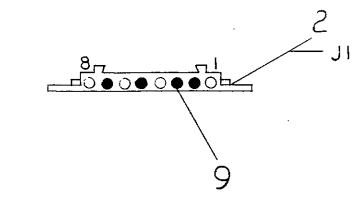
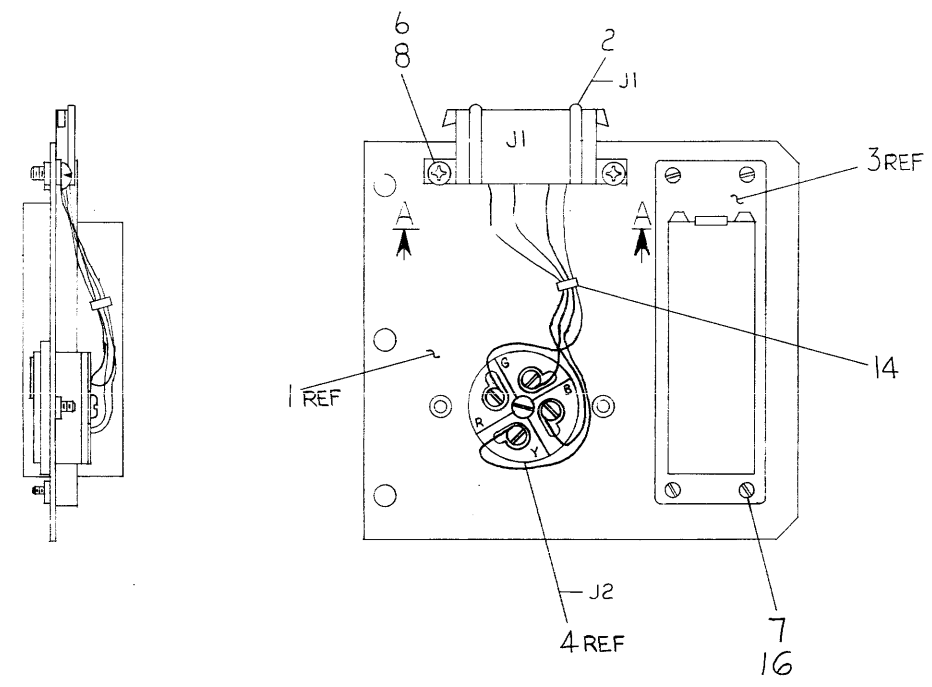
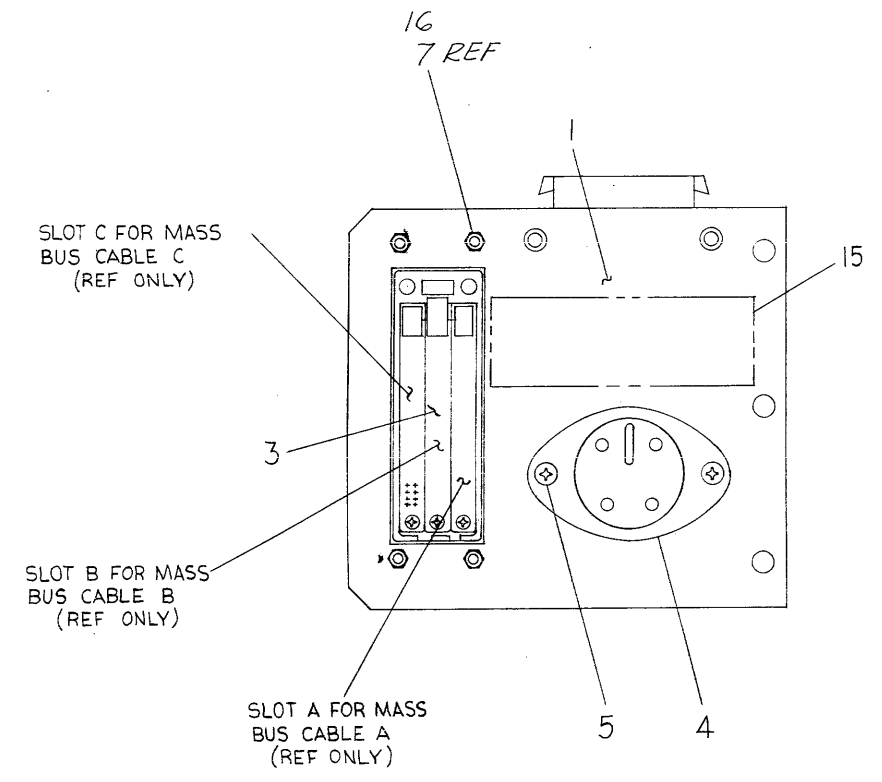
TITLE  
1080 CONSOLE PROCESSOR  
ASSY NO. D-AD-7010229-0-0  
SIZE CODE A PL  
NUMBER 7010229-0-0  
SHEET 2 OF 2

DEC FORM DEC 16-(325)-1031-N870  
DRA 110

THIS DRAWING AND SPECIFICATIONS, HEREIN, ARE THE PROPERTY OF DIGITAL EQUIPMENT CORPORATION AND ALL NOT BE REPRODUCED OR COPIED OR USED IN WHOLE OR IN PART AS THE BASIS FOR THE MANUFACTURE OR SALE OF ITEMS WITHOUT WRITTEN PERMISSION.  
 COPYRIGHT © 1974, DIGITAL EQUIPMENT CORPORATION

WIRE TABLE						
ITEM NO.	DESCRIPTION	FROM		TO		REMARKS
		CCNN	WITH	CCNN	WITH	
11	22 BLK	J1-7	ITEM#9	J2-B	---	
13	22 RED	J1-2	ITEM#9	J2-R	---	
10	22 WHT	J1-3	ITEM#9	J2-Y	---	
12	22 GRN	J1-5	ITEM#9	J2-G	---	

DO NOT SCALE DRAWING



VIEW A-A  
SKT INSERTION SIDE

QTY.	DESCRIPTION	PART NO.	ITEM NO.
4	NUT, KEPS #4-40	9006557	16
1	LABEL, ADHESIVE BACKED	9009255	15
1	TIE CABLE	9007031-0-0	14
4 IN	WIRE *22 AWG STRD (RED)	9107350-22	13
4 IN	WIRE *22 AWG STRD (GRN)	9107350-55	12
4 IN	WIRE *22 AWG STRD (BLK)	9107350-00	11
4 IN	WIRE *22 AWG STRD (WHT)	9107350-99	10
4	TERMINAL SKT CONTACT	1209379-03	9
2	WASHER, INT. TOOTH LOK #6	9006633	8
4	SCR, SLOTTED FIL HD #4-40x.38	9006390-6	7
2	SCR. PHL. PAN HD 6-32x.31	9006021-1	6
2	SCR. PHL FLAT HD 6-32x.25	9006020-2	5
1	PHONE JACK	1205857-3	4
1	HOUSING ASSY, RECEPTACLE	D-AD-7009861-00	3
1	HSG B SKT MATE-N-LOK	1209340-00	2
1	PLATE, CONN.	C-1A-7412711-0-0	1

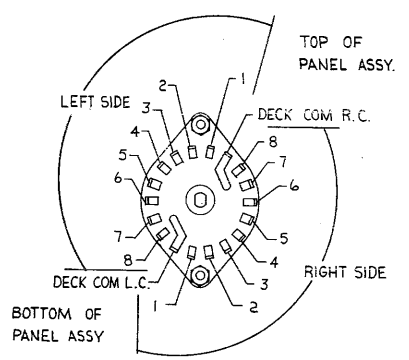
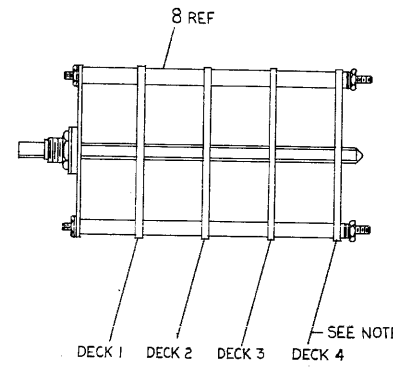
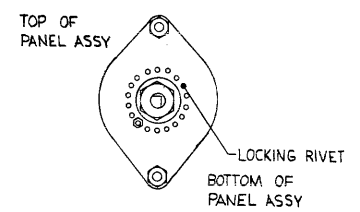
FIRST USED ON OPTION/MODEL KL10		DATE 10-3-74		
DIMENSIONAL TOLERANCE		DATE 10-18-74		
DIMENSIONS ARE $\frac{MILLIMETERS}{INCHES}$		DATE 10-30-74		TITLE PLATE, CABLE CONVERSION ASSY.
UNLESS OTHERWISE SPECIFIED		DATE 10-21-74		
MILLIMETERS	INCHES	ANGLES		MATERIAL SEE PARTS LIST FINISH
X.XX ±0.10 XX ±0.5 X ±2	XXX ±.005 XX ±.02 X ±.1	±0° 30'		
THIRD ANGLE PROJECTION		NEXT HIGHER ASSY.		SIZE CODE D-AD 7010311-0-0
REMOVE BURRS AND BREAK SHARP CORNERS SURFACE QUALITY ✓		SCALE 1/1		
MATERIAL SEE PARTS LIST		SHEET 1 OF 1		REV.

CHK	CHANGE NO.	REV.
-----	------------	------

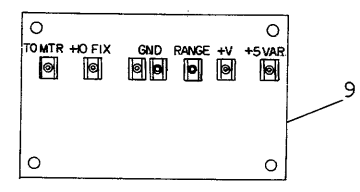
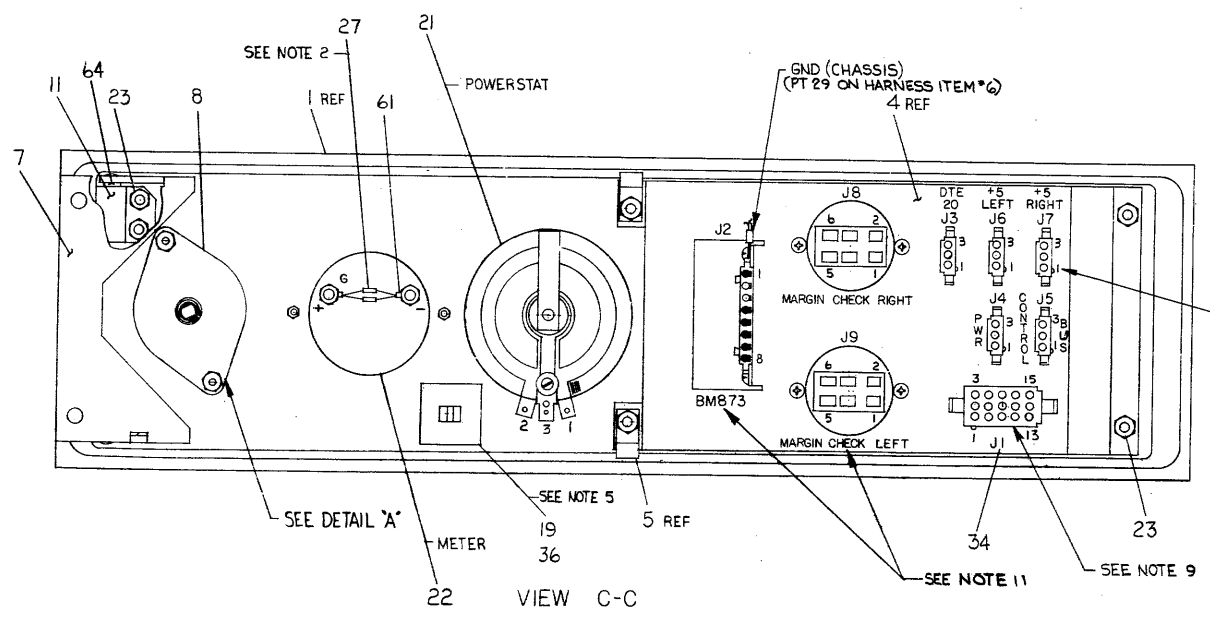
REV. NUMBER 7010311-0-0  
 SIZE CODE D-AD  
 REV.



WIRE TABLE							WIRE TABLE										
ITEM NO	DESCRIPTION	AWG	COLOR	POINT	FROM CONNECTION	TO CONNECTION	TERM	REMARKS	ITEM NO	DESCRIPTION	AWG	COLOR	POINT	FROM CONNECTION	TO CONNECTION	TERM	REMARKS
16	GRN	1			HARNESS ITEM #8	DECK 1 PIN 7 RIGHT	ROTARY SWITCH ITEM #8		18	GRN	37			HARNESS ITEM #8	Y	PNL BOARD ITEM #8	
	GRN	2				DECK 2 PIN 2 RIGHT			18	BLK	38				GND		
	BLU	3				DECK 2 PIN 2 LEFT			18	GRN	38				S VAR		
	RED	4				DECK 1 PIN 1 RIGHT			18	RED	38				10 FIX		
	GRN	5				DECK 3 PIN 3 RIGHT			18	WHT	38				RANGE		
	GRN	6				DECK 2 PIN 3 RIGHT			18	BLK	37				GND		
	GRN	7				DECK 3 PIN 1 RIGHT			22	BLK	33				GND		
	BLU	8				DECK 2 PIN 2 LEFT			18	BLK	34				GND		
	GRN	9				DECK 2 PIN 5 RIGHT			18	GRN	38				Y	PNL BOARD ITEM #8	
	BLU	10				DECK 2 PIN 8 LEFT			22	WHT	41				POS #2	LED-2 ITEM #15	
	GRN	11				DECK 3 PIN 7 RIGHT			22	RED	42				POS #2	LED-1 ITEM #15	
	GRY	12				DECK 3 PIN 3 RIGHT			22	BLK	44				POS #1	LED-1 ITEM #15	
	GRN	13				DECK 3 PIN 2 LEFT			18	GRY	97				POS #1	LED-2 ITEM #15	
	GRN	14				DECK 3 PIN 8 LEFT			18	BLK	28				MTR	PNL BOARD ITEM #8	
	RED	15				DECK 3 PIN 5 LEFT			18	BLK	28				GND	CHASSIS	
	RED	16				DECK 3 PIN 4 LEFT											
	GRN	17				DECK 3 PIN 1 LEFT											
	WHT	18				DECK 3 PIN 2 LEFT											
	GRN	19				DECK 1 PIN 2 LEFT											
	GRN	20				DECK 3 PIN 3 LEFT											
	RED	21				DECK 1 PIN 7 RIGHT											
	RED	22				DECK 1 PIN 7 RIGHT	ROTARY SWITCH ITEM #8	SOLDER									
	GRN	101				NEG	METER ITEM #22										
	GRN	102				POS	METER ITEM #22										
	WHT	98				POS #1	POWERSTAT ITEM #21										
	GRN	99				POS #2	POWERSTAT ITEM #21										
	GRN	100				POS #3	POWERSTAT ITEM #21										



DETAIL 'A'



PIN NOS SHOWN ARE FOR REF ONLY

REVISIONS	
CHR	REV

**DIGITAL EQUIPMENT CORPORATION**  
MAYNARD, MASSACHUSETTS

**PARTS LIST**

MADE BY V. SOUZA  
 DATE 10/3/74  
 ENG *William P. B. B. B. B.*  
 DATE 1/8/75  
 CHECKED *CB Mcgy*  
 DATE 12-18-74  
 PROD *Robin 1-8-75*  
 DATE 1-8-75

SECTION  
 ISSUED SECT.

ITEM NO.	DWG NO. / PART NO.	DESCRIPTION	QUANTITY / VARIATION
1	D-PS-1209226-0-0	BEZEL, SNAP ON 5/4	1
2	D-IA-7412663-0-0	PANEL, SCREEN	1
3	D-IA-7412662-0-0	PANEL, FRONT	1
4	D-MD-7412659-0-0	PANEL, REAR	1
5	B-MD-7411151-0-0	BRACKET, PANEL MTG	2
6	J-IA-7010479-0-0	HARNES, MARGIN CHECK	1
7	C-IA-7412661-0-0	BRACKET HINGE	1
8	D-IA-7010466-0-0	MARGIN CHECK SWITCH ASSY	1
9	D-UA-5411319-0-0	MARGINAL PWR PANEL COMPONENT BD	1
10	B-MD-7413680-0-0	LOCK SWITCH	1
11	B-MD-7412658-0-0	BLOCK, HINGE	2
12	9006022-1	SCR, PHL PAN HD #6-32 X .38	6
13	9006026-1	SCR, PHL PAN HD #6-32 X .75	4
14	9007858	WASHER FLAT .687 OD X .375 ID X .062 THK	1
15	1112280	L.E.D. (RED), 30° DIFUSED	2
16	1209244	KNOB, INSTRUMENT	2
17	9008890-1	VELCRO FASTENER, HOOK TAPE	4"
18	9007046	GROMMET, POLYETHYLENE STRIP	3IN
19	9008264	MOUNT, CABLE TIE	3
20	<del>9006801</del>	<del>SPACER .38 LG #6</del>	<del>4</del>
21	1205942	POWERSTAT	1
22	1210486	METER, PANEL	1

TITLE  
 PANEL, MARGIN CHECK ASSY  
 ASSY NO. E-AD-7010233-0-0  
 SIZE CODE A PL  
 NUMBER 7010233-0-0  
 REV. A  
 ECO NO. 7010233  
 SHEET 1 OF 4  
 DIST.

**DIGITAL EQUIPMENT CORPORATION**  
MAYNARD, MASSACHUSETTS

**PARTS LIST**

MADE BY V. SOUZA  
 DATE 10/3/74  
 ENG *William P. B. B. B.*  
 DATE 1/8/75  
 CHECKED *CB Mcgy*  
 DATE 12-18-74  
 PROD *Robin 1-8-75*  
 DATE 1-8-75

SECTION  
 ISSUED SECT.

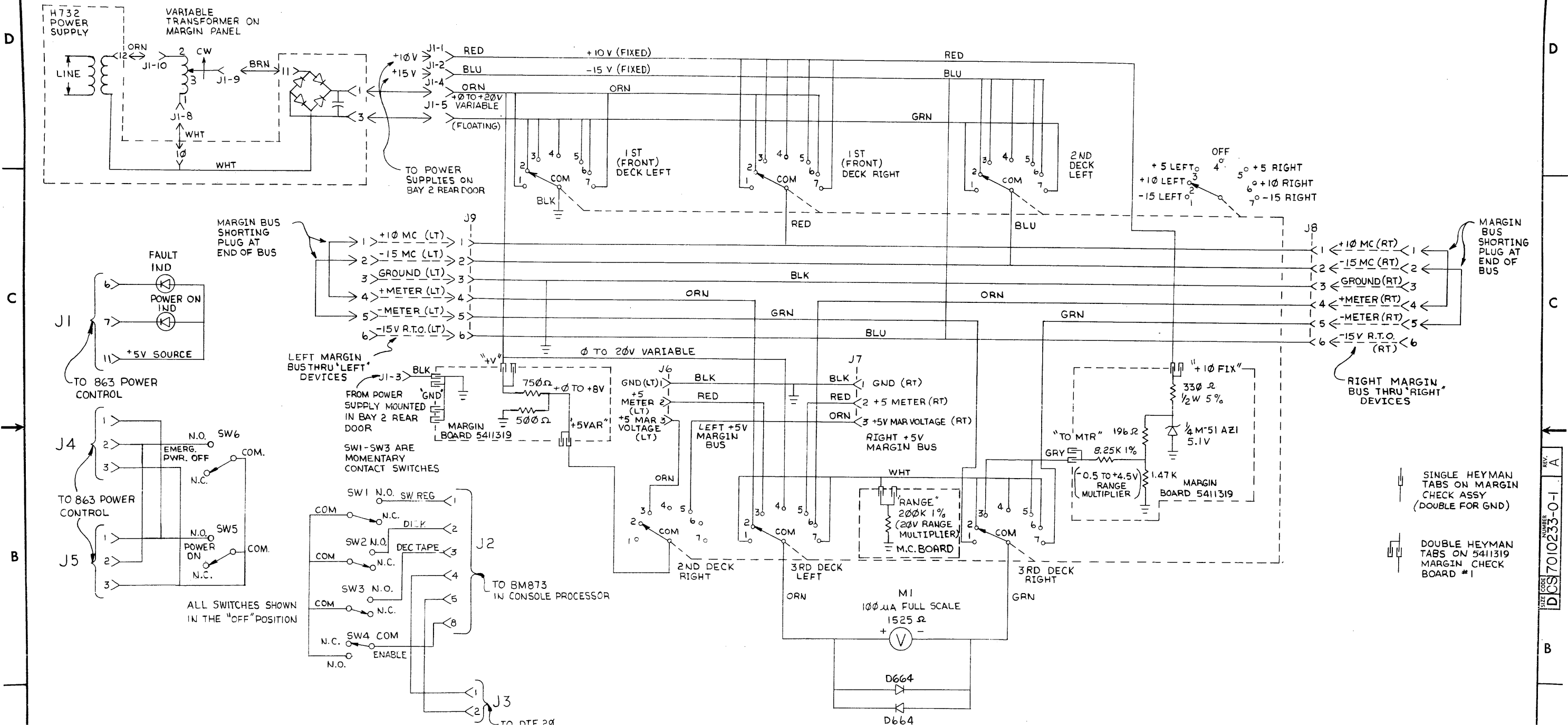
ITEM NO.	DWG NO. / PART NO.	DESCRIPTION	QUANTITY / VARIATION
23	9006563	NUT KEPS #8-32	8
24	9006560	NUT KEPS #6-32	14
25	<del>9007004</del>	<del>CLAMP, CABLE 7/16"</del>	<del>1</del>
26	<del>9006038-1</del>	<del>SCR, PHL PAN HD #8-32 X .44</del>	<del>1</del>
27	1100114	DIODE, D664	2
28	9006799	SPACER .31 LG #6 HOLE	4
29	<del>9008274</del>	<del>FOAM .38 WIDE X .38 THK (ADHESIVE)</del>	<del>1FT</del>
30	9008890-2	VELCRO FASTENER, LOOP TAPE	4"
31	<del>9006655</del>	<del>WASHER, FLAT .312 X .125 I.D. X .027 THK</del>	<del>1</del>
32	B-DC-5308943-11-0	DECAL 12 POINT (NO. 5) WHT/CLR	1
33	B-DC-5308944-1-0	DECAL 12 POINT (A) WHT/CLR	1
34	A-DC-7409873-0-0	DECAL PWR CONNECTOR WHT/CLR	1
35	7005486	SHORTING PLUG	2
36	9007880	CABLE TIE	3
37	B-DC-5308943-1-0	DECAL 12 POINT (NO. 0) WHT/CLR	1
38	B-DC-5308943-5-0	DECAL 12 POINT (NO. 2) WHT/CLR	1
39	B-DC-5308943-7-0	DECAL 12 POINT (NO. 3) WHT/CLR	1
40	B-DC-5308943-15-0	DECAL 12 POINT (NO. 7) WHT/CLR	1
41	B-DC-5308943-17-0	DECAL 12 POINT (NO. 8) WHT/CLR	1
42	B-DC-5308944-3-0	DECAL 12 POINT (B) WHT/CLR	1
43	B-DC-5308944-5-0	DECAL 12 POINT (C) WHT/CLR	1
44	B-DC-5308944-7-0	DECAL 12 POINT (D) WHT/CLR	1

TITLE  
 PANEL, MARGIN CHECK ASSY  
 ASSY NO. E-AD-7010233-0-0  
 SIZE CODE A PL  
 NUMBER 7010233-0-0  
 REV. A  
 ECO NO. 7010233  
 SHEET 2 OF 4  
 DIST.





"THIS DRAWING AND SPECIFICATIONS, HEREIN, ARE THE PROPERTY OF DIGITAL EQUIPMENT CORPORATION AND SHALL NOT BE REPRODUCED OR COPIED OR USED IN WHOLE OR IN PART AS THE BASIS FOR THE MANUFACTURE OR SALE OF ITEMS WITHOUT WRITTEN PERMISSION. COPYRIGHT © 1974, DIGITAL EQUIPMENT CORPORATION"



REV.	DATE	BY	CHK	DESCRIPTION
1	10-8-74	M. G. G.		DRN
2	12-17-74	C. B. M. C.		CHK'D
3	1-10-75	S. J. H.		ENG.
4	1-10-75	S. J. H.		PROJ. ENG.
5	1-10-75	S. J. H.		PROD.

FIRST USED ON OPTION/MODEL		QTY.	DESCRIPTION	PART NO.	ITEM NO.
KL10					
PARTS LIST					
DIMENSIONAL TOLERANCE		digital			
DIMENSIONS ARE IN MILLIMETERS UNLESS OTHERWISE SPECIFIED					
MILLIMETERS	INCHES	ANGLES	TITLE		
XXX = ±0.10	.XXX = ±.005	±0° 30'	MARGIN PANEL		
XX = ±0.5	.XX = ±.02		E-AD-7010233-0-0		
X = ±2	.X = ±.1		SCALE NONE		
THIRD ANGLE PROJECTION	REMOVE BURRS AND BREAK SHARP CORNERS SURFACE QUALITY ✓	NEXT HIGHER ASSY.			
MATERIAL	FINISH	SIZE CODE		NUMBER	REV.
		D		CS 7010233-0-1	A
SHEET 1 OF 1		DIST.			

REV. A  
NUMBER DCS 7010233-0-1

"THIS DRAWING AND SPECIFICATIONS, HEREIN, ARE THE PROPERTY OF DIGITAL EQUIPMENT CORPORATION AND SHALL NOT BE REPRODUCED OR COPIED OR USED IN WHOLE OR IN PART AS THE BASIS FOR THE MANUFACTURE OR SALE OF ITEMS WITHOUT WRITTEN PERMISSION. COPYRIGHT © 1974, DIGITAL EQUIPMENT CORPORATION"

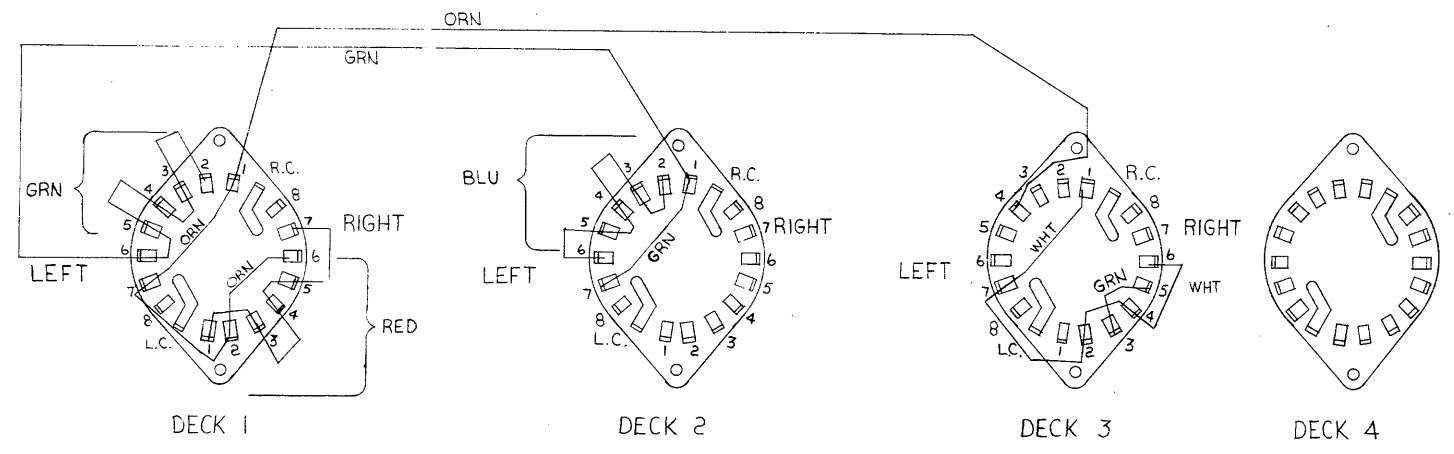
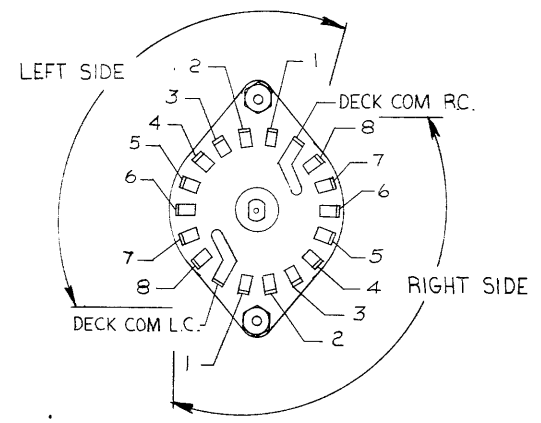
NOTES:  
 1. NO LEADS MAY PROJECT IN EXCESS OF .25 BEYOND EDGE OF WAFER DECK.

LOCATE ROTOR STOPPING ARM BETWEEN STOPS AS SHOWN (TO ALLOW FOR 7 POSITIONS)

LOCATE ADJUSTABLE STOP AS SHOWN

LOCKING RIVET (FIXED STOP)

DECK 1 DECK 2 DECK 3 DECK 4



INTERNAL WIRING ROTARY SWITCH

QTY.	DESCRIPTION	PART NO.	ITEM NO.
3 FT	#18 AWG BUSS WIRE	9107560-03	7
1 FT	TUBING #18 AWG (RED)	9107278-02	6
2 FT	TUBING #18 AWG (WHT)	9107278-09	5
1 FT	TUBING #18 AWG (BLU)	9107278-06	4
1 FT	TUBING #18 AWG (GRN)	9107278-05	3
2 FT	TUBING #18 AWG (ORN)	9107278-03	2
1	ROTARY SWITCH REWORK	C-MD-7412903-0-0	1

FIRST USED ON OPTION/MODEL		PARTS LIST	
KL10			
DIMENSIONAL TOLERANCE		DRN	DATE
DIMENSIONS ARE MILLIMETERS		M. Grotz	7-24-74
UNLESS OTHERWISE SPECIFIED INCHES		CHK'D.	DATE
		S. J. ...	8/25/74
MILLIMETERS	INCHES	ENG.	DATE
.XX ±0.10	.XXX ±.005	S. J. ...	11/1/74
.X ±0.5	.XX ±.02	PROJ. ENG.	DATE
X ±2.	.X ±.1	S. J. ...	11/1/74
THIRD ANGLE PROJECTION		PROB.	DATE
REMOVE BURRS AND BREAK SHARP CORNERS SURFACE QUALITY ✓		DATE	11-6-74
MATERIAL SEE PARTS LIST		NEXT HIGHER ASSY.	
FINISH		MATERIAL E-AD-7010233-0-0	
		SCALE NONE	SIZE CODE D/A
		SHEET 1 OF 2	NUMBER 7010466-0-0
		DIST.	REV.

**digital**

MARGIN CHECK SWITCH ASSY.

REV.	CHANGE NO.

"THIS DRAWING AND SPECIFICATIONS, HEREIN, ARE THE PROPERTY OF DIGITAL EQUIPMENT CORPORATION AND SHALL NOT BE REPRODUCED OR COPIED OR USED IN WHOLE OR IN PART AS THE BASIS FOR THE MANUFACTURE OR SALE OF ITEMS WITHOUT WRITTEN PERMISSION. COPYRIGHT © 1974, DIGITAL EQUIPMENT CORPORATION"

WIRE TABLE									
ITEM NO	DESCRIPTION	FROM			TO				
		AWG	COLOR	POINT	CONNECTION	TERM	POINT	CONNECTION	TERM
7,5	1R TUBING WHT			DECK 3 PIN 1 LEFT	ROTARY SWITCH ITEM #1	SOLDER	DECK 3 PIN 7 LEFT	ROTARY SWITCH ITEM #1	SOLDER
7,5	TUBING WHT			DECK 3 PIN 2 RIGHT					
7,5	TUBING WHT			DECK 3 PIN 6 RIGHT			DECK 3 PIN 4 RIGHT		
7,6	TUBING RED			DECK 1 PIN 1 RIGHT			DECK 1 PIN 3 RIGHT		
7,6	TUBING RED			DECK 1 PIN 4 RIGHT					
7,6	TUBING RED			DECK 1 PIN 7 RIGHT			DECK 1 PIN 5 RIGHT		
7,2	TUBING ORN			DECK 3 PIN 4 LEFT			DECK 1 PIN 1 LEFT		
7,2	TUBING ORN			DECK 1 PIN 7 LEFT					
7,2	TUBING ORN			DECK 1 PIN 6 RIGHT			DECK 1 PIN 2 RIGHT		
7,3	TUBING GRN			DECK 1 PIN 2 LEFT			DECK 1 PIN 3 LEFT		
7,3	TUBING GRN			DECK 1 PIN 4 LEFT					
7,3	TUBING GRN			DECK 1 PIN 6 LEFT			DECK 1 PIN 5 LEFT		
7,3	TUBING GRN						DECK 2 PIN 1 LEFT		
7,3	TUBING GRN			DECK 2 PIN 7 LEFT					
7,4	TUBING BLU			DECK 2 PIN 2 LEFT			DECK 2 PIN 3 LEFT		
7,4	TUBING BLU			DECK 2 PIN 4 LEFT					
7,4	TUBING BLU			DECK 2 PIN 6 LEFT			DECK 2 PIN 5 LEFT		
7,3	1R TUBING GRN			DECK 3 PIN 3 RIGHT	ROTARY SWITCH ITEM #1	SOLDER	DECK 3 PIN 5 RIGHT	ROTARY SWITCH ITEM #1	SOLDER

SIZE CODE DIA 7010466-0-0

REV.	
CHANGE NO.	
CHK	

FIRST USED ON OPTION/MODEL KL10		QTY.	DESCRIPTION	PART NO.	ITEM NO.
PARTS LIST					
DIMENSIONAL TOLERANCE		DRN. <i>M. G. G. H.</i>	DATE 10-4-74	<b>digital</b>	
DIMENSIONS ARE MILLIMETERS INCHES		CHK'D.	DATE		
UNLESS OTHERWISE SPECIFIED		ENG. <i>S. R. H.</i>	DATE 11/4/74	TITLE MARGIN CHECK SW ASSY	
MILLIMETERS	INCHES	ANGLES	DATE		
X.XX ±0.10 X.X ±0.05 X ±0.2	.XXX ±0.005 .XX ±0.02 .X ±0.1	±0°30'	DATE 11/4/74		
THIRD ANGLE PROJECTION	REMOVE BURRS AND BREAK SHARP CORNERS SURFACE QUALITY ✓	NEXT HIGHER ASSY.	DATE 11-4-74	SCALE NONE	
MATERIAL	FINISH	E-AD-7010466-0-0	SIZE CODE DIA	NUMBER 7010466-0-0	REV.
SHEET 2 OF 2		DIST.			

8 7 6 5 4 3

5411319 2

This drawing and specifications, herein, are the property of Digital Equipment Corporation and shall not be reproduced or copied or used in whole or in part as the basis for the manufacture or sale of items without written permission. COPYRIGHT © 1974  
DIGITAL EQUIPMENT CORP

NOTES:  
1. FOR DRAWING DIRECTORY, REFER TO: B-DD-5411319-0

QTY	REF DESIGNATION	DESCRIPTION	PART NO.	ITEM NO.
1		ETCHED CIRCUIT BOARD	5011319	
1	D1	DIODE 250MW 1% 5.1V	1105871	2
1	R6	RES. 330 5% 1/4W	1300296	3
2	R4, R5	RES. 1K 5% 1/4W	1300365	4
2	R2, R3	RES. 1.5K 5% 1/4W	1300391	5
1	R8	RES. 196 1% 1/4W	1302956	6
1	R9	RES. 1.47K 1% 1/8W	1305108	7
1	R7	RES. 8.25K 1% 1/8W	1305325	8
1	R1	RES. 200K 1% 1/4W	1305336	9
7		TAB, DOUBLE	9007113	10
7		EYELET	9006742	11

D  
C  
B  
A

D  
C  
B  
A

FIRST USED ON OPTION MODEL KL10		PARTS LIST	
CHK	CHANGE NO.	REV	REVISIONS
DRG	DATE	12/13/74	
CHK'D	DATE	1/2/75	
ENGR	DATE	5/7/75	
PROJ. ENG.	DATE		
PROD.	DATE	1/2/75	
NEXT HIGHER ASSY B-DD-5411319-0		TITLE MARGIN PWR PANEL COMPONENT BD	
DEC NO.	EIA NO.	DEC NO.	EIA NO.
SEMICONDUCTOR CONVERSION CHART		SCALE	DIST.
SHEET 1 OF 5		SIZE CODE DUA	NUMBER 5411319-0-0

REV. NUMBER  
DUA 5411319-0-0

8 7 6 5 4 3 2 1

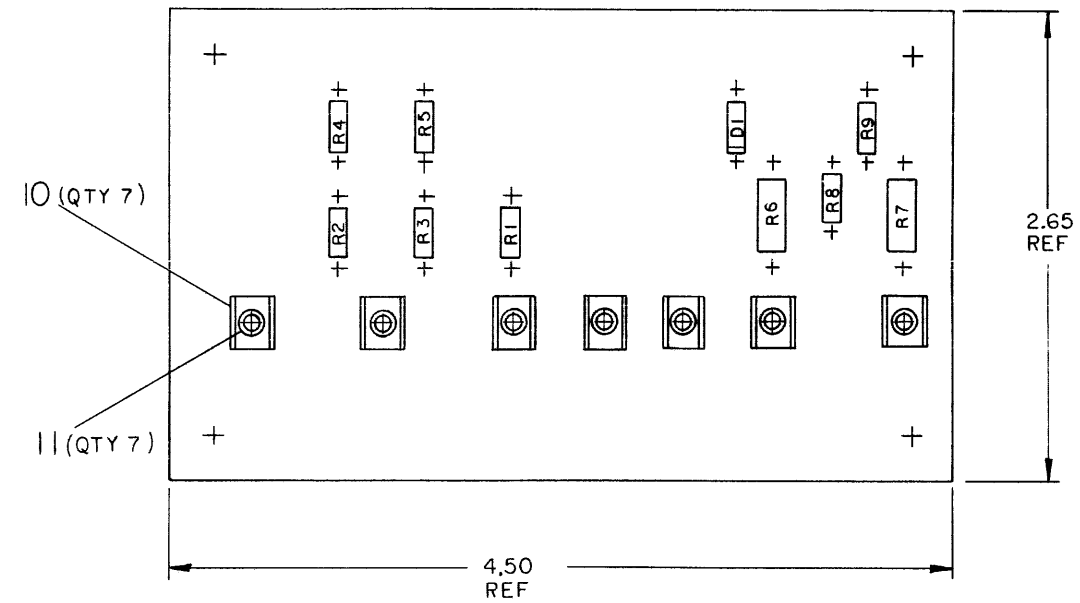
8 7 6 5 4 3 2 1

0-0-512-027 G 2

"THIS DRAWING AND SPECIFICATIONS, HEREIN, ARE THE PROPERTY OF DIGITAL EQUIPMENT CORPORATION AND SHALL NOT BE REPRODUCED OR COPIED OR USED IN WHOLE OR IN PART AS THE BASIS FOR THE MANUFACTURE OR SALE OF ITEMS WITHOUT WRITTEN PERMISSION. COPYRIGHT © 1974 DIGITAL EQUIPMENT CORPORATION"

D  
C  
B  
A

D  
C  
B  
A



REVISIONS		
CHK	CHANGE NO.	REV.

TITLE MARGIN	PWR PANEL	SIZE CODE	NUMBER	REV.
COMPONENT BD	D UA	5411319-0-0		
SCALE	SHEET 2 OF 5	DIST.		

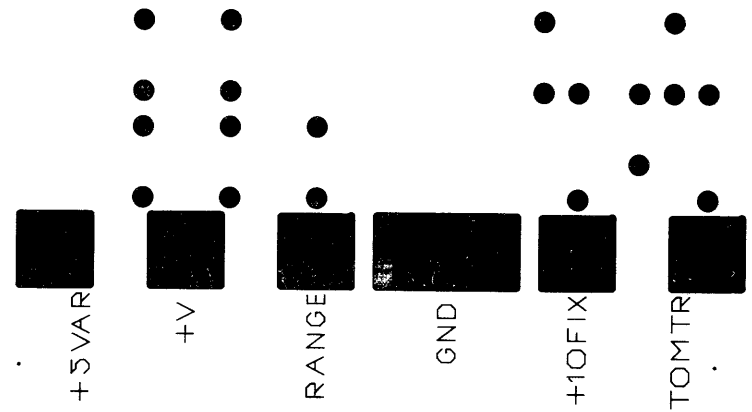
8 7 6 5 4 3 2 1

THIS DRAWING AND SPECIFICATIONS HEREIN ARE THE PROPERTY OF DIGITAL EQUIPMENT CORPORATION, AND SHALL NOT BE REPRODUCED OR COPIED OR USED IN WHOLE OR IN PART AS THE BASIS FOR THE MANUFACTURE OR SALE OF ITEMS WITHOUT WRITTEN PERMISSION. COPYRIGHT © 1974 DIGITAL EQUIPMENT CORPORATION.

5411319-0-0 DUA 2

5011318B MS30026

SIDE 1



REVISIONS		
CHK	CHANGE NO.	REV

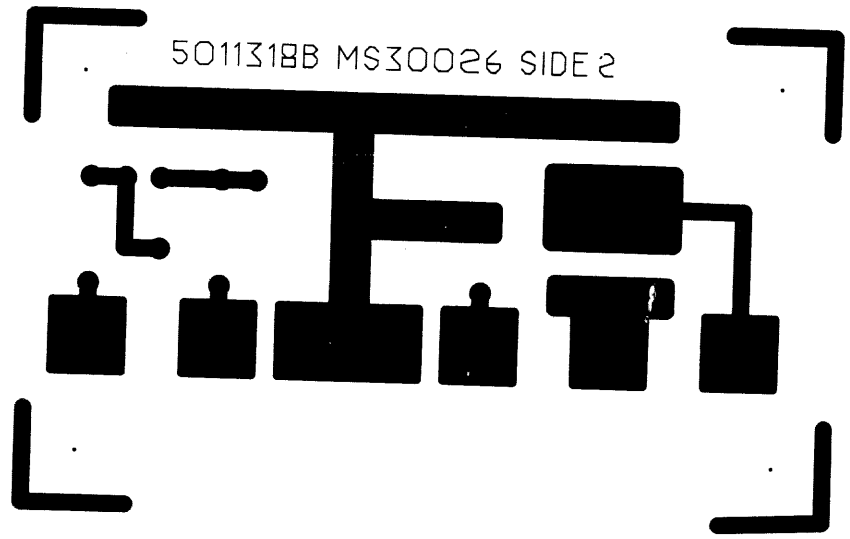
(SIDE 1)

TITLE	MARGIN PWR POWER	SIZE CODE	NUMBER	REV.
COMPONENT	BD	D UA	5411319-0-0	
SCALE	SHEET 3 OF 5	DIST.		



THIS DRAWING AND SPECIFICATIONS HEREIN ARE THE PROPERTY OF DIGITAL EQUIPMENT CORPORATION AND SHALL NOT BE REPRODUCED OR COPIED OR USED IN WHOLE OR IN PART AS THE BASIS FOR THE MANUFACTURE OR SALE OF ITEMS WITHOUT WRITTEN PERMISSION  
 COPYRIGHT © 1974 DIGITAL EQUIPMENT CORPORATION

SIZE CODE DUA 5411319-0-0 2



5011318B MS30026 SIDE 2

(SIDE 2)

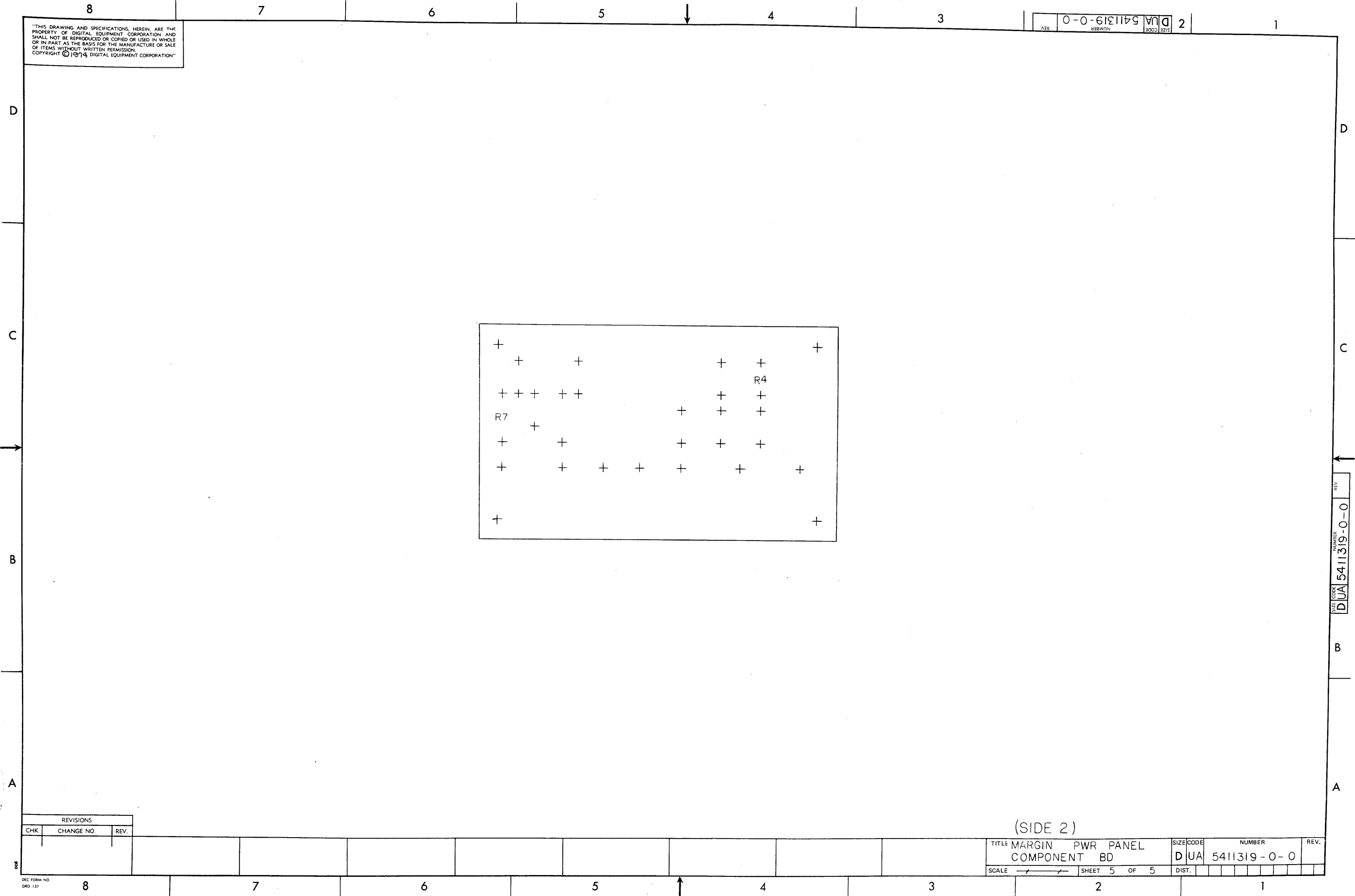
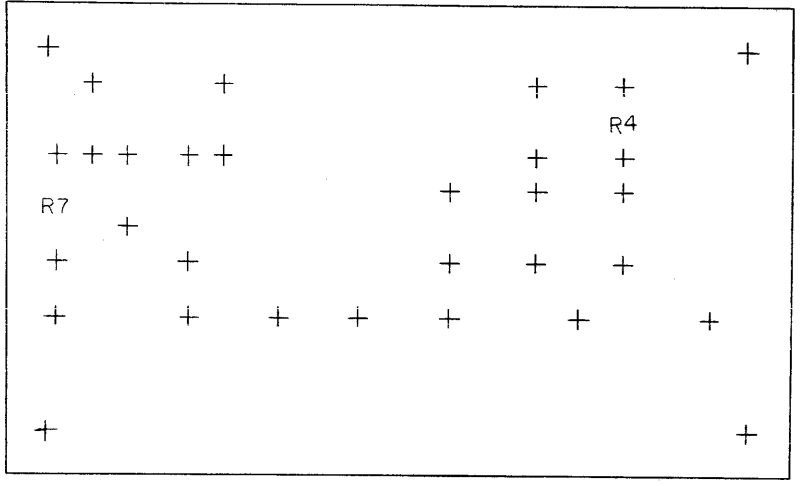
REVISIONS		
CHK	CHANGE NO	REV

TITLE	MARGIN PWR PANEL COMPONENT BD	SIZE CODE	DUA	NUMBER	5411319-0-0	REV.	
SCALE		SHEET	4	OF	5	DIST.	

SIZE CODE DUA 5411319-0-0 NUMBER

"THIS DRAWING AND SPECIFICATIONS, HEREIN, ARE THE PROPERTY OF DIGITAL EQUIPMENT CORPORATION AND SHALL NOT BE REPRODUCED OR COPIED OR USED IN WHOLE OR IN PART AS THE BASIS FOR THE MANUFACTURE OR SALE OF ITEMS WITHOUT WRITTEN PERMISSION. COPYRIGHT © 1974 DIGITAL EQUIPMENT CORPORATION"

REV. 2  
 SIZE CODE DUA  
 NUMBER 5411319-0-0



REVISIONS		
CHK	CHANGE NO.	REV.

(SIDE 2)

TITLE	MARGIN PWR PANEL COMPONENT BD	SIZE CODE	DUA	NUMBER	5411319-0-0	REV.	
SCALE		SHEET	5	OF	5	DIST.	

REV. 2  
 SIZE CODE DUA  
 NUMBER 5411319-0-0

This drawing and specifications, herein, are the property of Digital Equipment Corporation and shall not be reproduced or copied or used in whole or in part as the basis for the manufacture or sale of items without written permission.  
1972

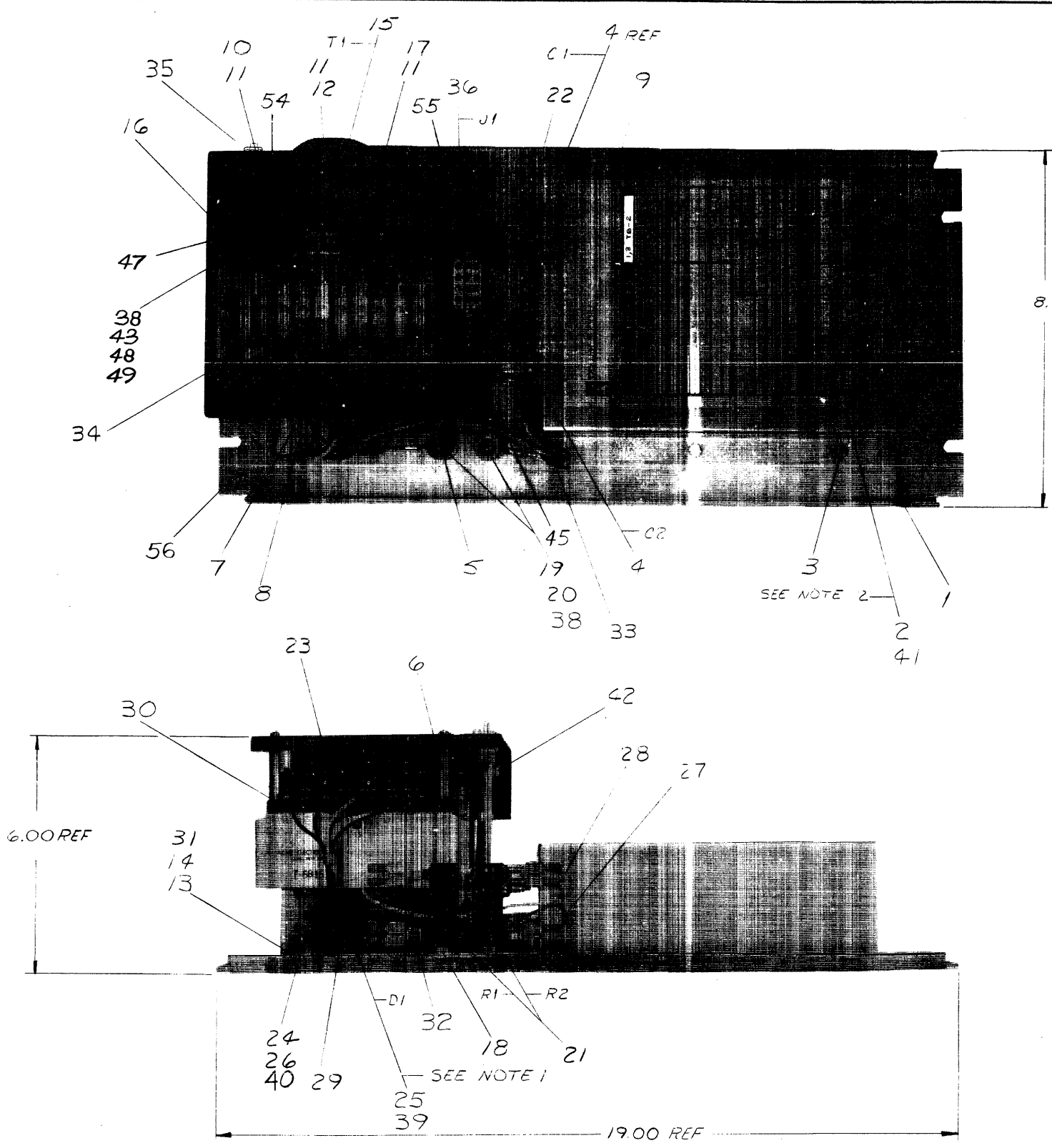
9 4-0-0282 d 2 30003216

D

C

B

A



NOTES:  
1. APPLY THERMAL JOINT COMPOUND ITEM # 39 BETWEEN CONTACTING SURFACES OF ITEM # 25 & ITEM # 7.  
2. ATTACH ITEM # 41 BETWEEN CONTACTING SURFACES OF ITEM # 4 & ITEM # 2.

REV	CHG	NO.	DATE	BY	APP
1	0001	A	12/15/72	J. DREW	
2	0002	B	12/11/72	J. DREW	
3	0003	C	3-20-75	M. SCHWARTZ	

FIRST USED ON OPTION / MODEL  
783C

DO NOT SCALE DRAWING  
UNLESS OTHERWISE SPECIFIED  
DIMENSION IN INCHES  
TOLERANCES  
ANGLES = 0°30'  
FINAL SURFACE QUALITY REMOVE BURRS AND BREAK SHARP CORNERS  
MATERIAL  
FINISH

QTY.	DESCRIPTION	PART NO.	ITEM NO.
PARTS LIST			
DRN.	W. Hovey	DATE	3-25-71
CHK'D.	W. Hovey	DATE	3-26-71
ENR.	J. Drew	DATE	8-13-71
PROJ. ENG.	Allen K...	DATE	1-3-71
PROD.	J. Drew	DATE	7-13-71
NEXT HIGHER ASSY		+	
SCALE	NONE	SIZE CODE	DUA
SHEET	1 OF 2	NUMBER	783C-0-0
		REV.	C

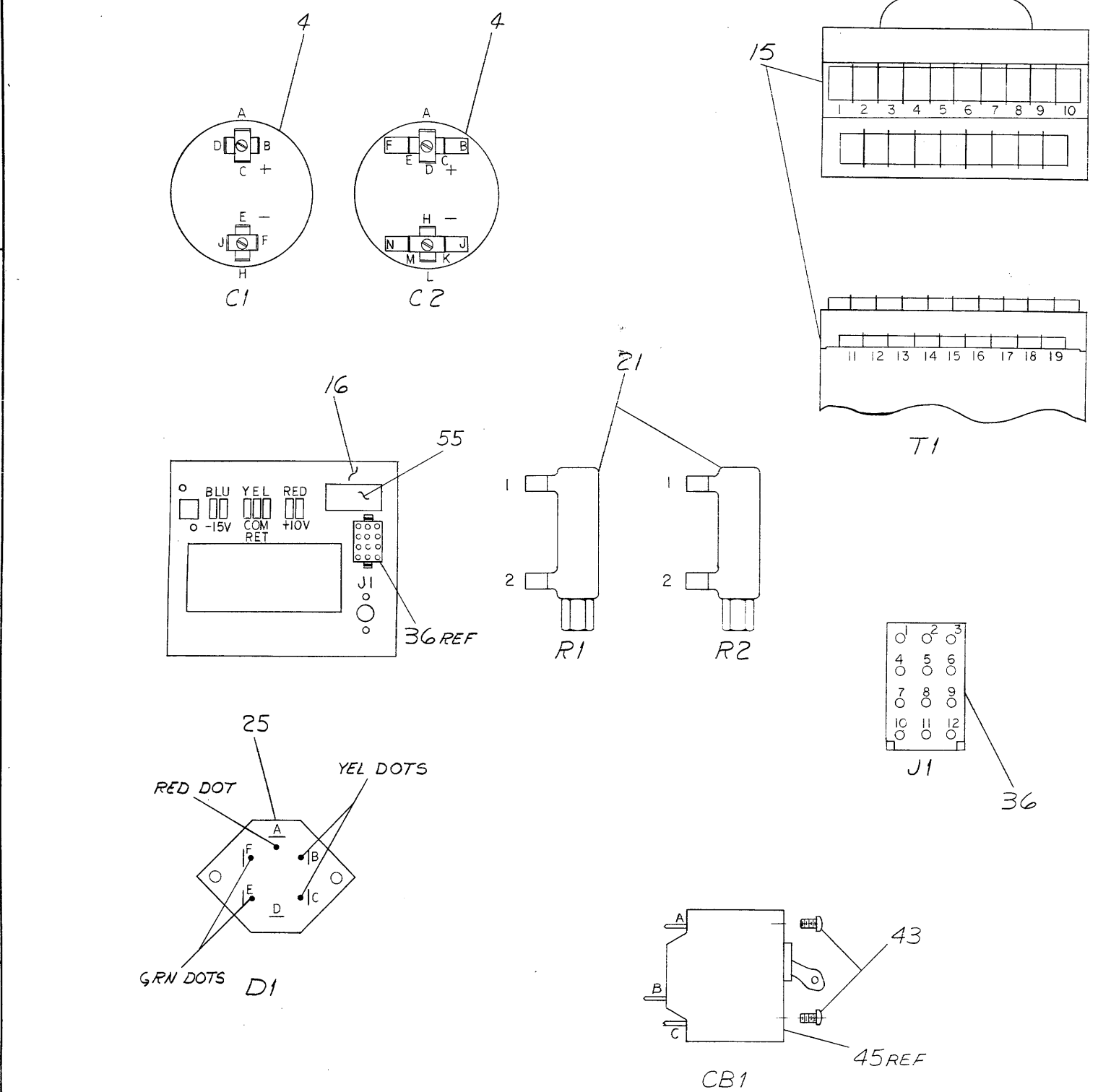
digital EQUIPMENT CORPORATION  
MAYNARD, MASSACHUSETTS

TITLE  
783C

POWER SUPPLY

REV. C  
NUMBER DUA 783C-0-0  
REV. C

This drawing and specifications, herein, are the property of Digital Equipment Corporation and shall not be reproduced or copied or used in whole or in part as the basis for the manufacture or sale of items without written permission.  
1972



WIRE TABLE							
ITEM NO	DESCRIPTION	FROM		TO		REMARKS	
		CONNECTION	WITH	CONNECTION	WITH		
30	14 BRN	T1-12	23	D1-E (GRN DOT)	23		
30	BRN	T1-14	23	D1-B (YEL DOT)	23		
30	BRN	T1-18	23	D1-F (GRN DOT)	23		
30	BRN	T1-16	23	D1-C (YEL DOT)	23		
28	YEL	T1-15	23	R1-1	23#32	SOLDER	
29	BLU	D1-D	23	R2-2	23#32	ITEM 32 TO 21	
27	RED	D1-A (RED DOT)	23	R1-2	23#32		
27	RED	R1-2	23#32	C1-B (POS)	23		
28	YEL	R2-1	23#32	R1-1	23#32		
28	YEL	R2-1	23#32	C2-B (POS)	23	SOLDER	
29	BLU	R2-2	23#32	C2-J (NEG)	23#32	ITEM 32 TO 21	
29	BLU	J1-1	37	C2-H (NEG)	23		
27	RED	J1-2		C1-C (POS)			
28	YEL	J1-3		C2-C (POS)			
29	BLU	J1-4		C2-K (NEG)			
27	RED	J1-5		C1-A (POS)			
28	YEL	J1-6		C2-A (POS)			
29	BLU	J1-7		C2-M (NEG)			
28	YEL	J1-8		C1-J (NEG)			
28	YEL	J1-9		C1-H (NEG)			
29	BLU	J1-10		C2-L (NEG)			
28	YEL	J1-11		C1-E (NEG)			
28	YEL	J1-12	37	C2-E (POS)			
28	YEL	C1-F (NEG)	23	C2-D (POS)			
29	BLU	BLU -15V	SOLDER	C2-N (NEG)		BUS BLU-15V TO BLU-15V	
27	RED	RED +10V	SOLDER	C1-D (POS)		BUS RED+10V TO RED+10V	
28	YEL	YEL COM RET	SOLDER	C2-F (POS)	23	BUS YEL COM RET TO YEL COM RET	
	RED	T1-10	23	C3		SUPPLIED WITH TRANSFORMER	
	BLK	T1-4	23	T1-7			
	14 BLK	T1-5	23	T1-2			

WIRING TABLE FOR 120 V 60 HZ OPERATION  
FOR 50 HZ OPERATION SEE DECAL B-DC-5309433-0-0

	* TRANS WIRE (T1-5)	BK-1, CBI-C	52	THRU SPLICE
27	14 RED	T1-5	52	BK1-CBI-B 52

\* REMOVE WIRE FROM T1-5 AND CONNECT WIRE TO BK1-C

27	14	RED	CBI-A	52	TB2 PIN 1	53	
50	14	WHT	T1-4	52	TB2 PIN 3	53	

FIRST USED ON OPTION/MODEL  
+ +

DO NOT SCALE DRAWING  
UNLESS OTHERWISE SPECIFIED DIMENSION IN INCHES TOLERANCES  
ANGLES = 0°30'  
FINAL SURFACE QUALITY 1  
REMOVE BURRS AND BREAK SHARP CORNERS  
MATERIAL + +  
FINISH + +

DRN. *W. Hord* DATE 3-25-71  
CHK'D. *W. Hord* DATE 3-25-71  
ENG. *W. Hord* DATE 3-25-71  
PROJ. ENG. *Allen P.C.* DATE 13 SEP 71  
PRD. *W. Hord* DATE 9-13-71  
NEXT HIGHER ASSY. + +

digital EQUIPMENT CORPORATION  
MAYNARD, MASSACHUSETTS  
TITLE  
783C  
POWER SUPPLY  
SIZE CODE D U A NUMBER 783C-C-0 REV C  
SHEET 2 OF 2

REVISIONS  
CHANGE NO. REV.  
CHK

REV. C  
NUMBER 783C-0-0  
SIZE CODE D U A

**DIGITAL EQUIPMENT CORPORATION**  
MAYNARD, MASSACHUSETTS  
**PARTS LIST**

MADE BY W. HOVEY  
 DATE 3/23/71  
 ENG *J. J. Duro*  
 DATE 5-13-71

CHECKED D. HEALY  
 DATE 3/25/71  
 PROD *J. J. Duro*  
 DATE 9-13-71

SECTION 1  
 ISSUED SECT. 1

ITEM NO.	DWG NO. / PART NO.	DESCRIPTION	SIZE CODE	ASSY NO.	SHEET 1 OF 3	NUMBER	REV.	ECO NO.
	C-CS-783C-0-1	CIRCUIT SCHEMATIC 783C	A	D-UA-783C-0-0	1	783C-0-0	C	783C-00003
	D-IA-783-0-1-0-1	CHASSIS 5302032	PL		3	0-0		
1	D-IA-783-0-1-0-1	CHASSIS 5302032						
2	D-MD-5304301-0-0	RETAINER CAPACITOR SCR SEMS HEX HD SLOTTED EXT WASH 10-32X3/8 CD FD						
3	9006444	CAPACITOR 160,000 $\mu$ F 20V						
4	1004874	SCR PHL HD PAN 6-32 X 2 1/4 SST						
5	9007818-1	SPACER 1/4 HEX X 1 1/2 LG #6 CL HOLE						
6	9006810	BRK'T, REC'T MTG (5303162)						
7	B-MD-728-0-1-0-4	SCR SEMS HEX HD SLOTTED EXT WASH 6-32 X 3/8 CAD PL						
8	9006453	POWER SUPPLY DECAL 783C						
9	B-DC-5309433-0-0	TERM BUSH BLU #DC-202 HEYMAN						
10	9007232	SOLDER TAB #T-202-S HEYMAN						
11	9007152	TERM BUSH YEL DC-202-3 HEYMAN						
12	9007233	NUT, #C31758-10-32-27 TINNED						
13	9007786	SCR PHL H TRUSS 10-32 X 1/2 SST						
14	9006073-3	TRANSFORMER, #T-6 8157, ACME						
15	1610416	COVER PROTECTION #2						
16	D-MD-5309507-0-0	TERM BUSH RED DC-202 HEYMAN						
17	9007231	SPACER 1/2 HEX X 1/2 LG X#10 HOLE AL						
18	9006831	WASH 916 CORE TYPE 2A WARD L.						
19	9006674	SCR PHL HD PAN #6-32 X 2 3/4 SST						
20	9007658-1	RES 15 OHMS 25W 25F15 WARD L						
21	1300181							
TITLE		783C POWER SUPPLY						

**DIGITAL EQUIPMENT CORPORATION**  
MAYNARD, MASSACHUSETTS  
**PARTS LIST**

MADE BY W. HOVEY  
 DATE 3/22/71  
 ENG *J. J. Duro*  
 DATE 5-13-71

CHECKED D. HEALY  
 DATE 3/25/71  
 PROD *J. J. Duro*  
 DATE 9-13-71

SECTION 1  
 ISSUED SECT. 1

ITEM NO.	DWG NO. / PART NO.	DESCRIPTION	SIZE CODE	ASSY NO.	SHEET 2 OF 3	NUMBER	REV.	ECO NO.
22	9008892	CONN DOUBLE #3000 M362 ARKLESS						
23	9007930	CONN #50360 ARKLESS						
24	9006560	NUT KEPS 6-32 SST						
25	1102933	RECT DM1						
26	9006026-1	SCR PHL H PAN 6-32 X 3/4 SST						
27	9107370-22	STRD 14 AWG-TEFLON INS (RED)	A/R					
28	9107370-44	STRD 14 AWG - TEFLON INS (YEL)	A/R					
29	9107370-66	STRD 14 AWG - TEFLON INS (BLU)	A/R					
30	9107370-11	STRD 14 AWG-TEFLON INS (BRN)	A/R					
31	9007651	WASH, EXT TOOTH #10	4					
32	9007193	CONN, #3000 - S41B ARK-LESS	4					
33	9006635	WASH INT TOOTH #10	4					
34	C-MD-5309512-0-0	COVER, PROTECTION #1	1					
35	9006565	NUT KEPS 10-32 SST	2					
36	1209350-12	MATE-N-LOCK CONN #1-420275-0 AMP	1					
37	1209379-01	CONN, MATE-N-LOCK #60619-4 AMP	12					
38	9006633	WASH, INT TOOTH #6	6					
39	900268	THERMAL JOINT COMPOUND	A/R					
40	9006653	WASH, FLAT 3/8 O.D. X 5/32 I.D. X1/32T SST	2					
41	9007834	TAPE DOUBLE STICKY BACK 1/2" X 8"	1					
42	9007032	TIE WRAP #SST2S PANDUIT	A/R					
TITLE		783C POWER SUPPLY						

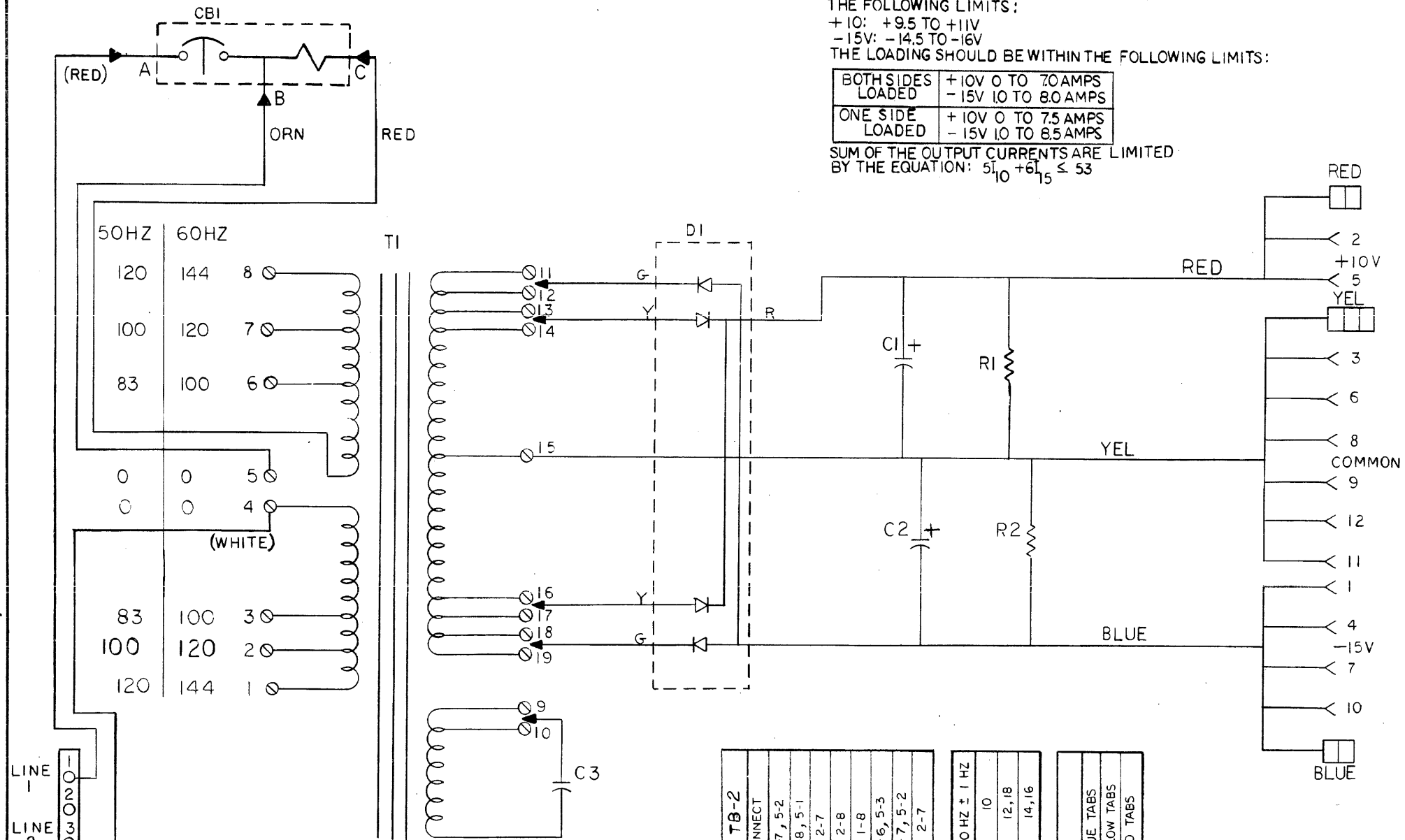


THIS SCHEMATIC IS FURNISHED ONLY FOR TEST AND MAINTENANCE PURPOSES. THE CIRCUITS ARE PROPRIETARY IN NATURE AND SHOULD BE TREATED ACCORDINGLY. COPYRIGHT BY DIGITAL EQUIPMENT CORPORATION 1972

NOTE:  
 IN ORDER TO KEEP OUTPUT VOLTAGE WITHIN THE FOLLOWING LIMITS:  
 +10V: +9.5 TO +11V  
 -15V: -14.5 TO -16V  
 THE LOADING SHOULD BE WITHIN THE FOLLOWING LIMITS:

BOTH SIDES LOADED	+10V 0 TO 70AMPS -15V 10 TO 8.0AMPS
ONE SIDE LOADED	+10V 0 TO 7.5 AMPS -15V 10 TO 8.5AMPS

SUM OF THE OUTPUT CURRENTS ARE LIMITED BY THE EQUATION:  $5I_{10} + 6I_{15} \leq 53$



LINE 1  
 LINE 2  
 TB-2  
 CINCH JONES  
 #140  
 TERMINAL STRIP

- NOTES:
- ◁ MATE-N-LOK
  - ◻ HEYMAN TAB
  - ⊙ JONES STRIP (PART OF T1)
  - ← QUICK-CONNECT

power supply  
 783C  
 dec

LINE TERMINALS 1,3 TB-2	
INPUT VOLTAGE ± 15%	CONNECT
100V 50 HZ	4-7, 5-2
115V 50 HZ	4-8, 5-1
200V 50 HZ	2-7
220V 50 HZ	2-8
240V 50 HZ	1-8
100V 60 HZ	4-6, 5-3
120V 60 HZ	4-7, 5-2
240V 60 HZ	2-7

CONNECT CAPACITOR TO	50 HZ ± 1 HZ	60 HZ ± 1 HZ
-15V RECTIFIER	9	10
+10V RECTIFIER	11,19	12,18
	13,17	14,16

OUTPUT		
COMMON RETURN	10V PINS 3,6,8,9,11,12	RED TABS
15V PINS 1,4,7,10 <td>BLUE TABS</td> <td></td>	BLUE TABS	
10V PINS 2,5 <td>YELLOW TABS</td> <td></td>	YELLOW TABS	
	RED TABS	

BK1	SHUNT TRIP CB 2A	1210896-1
	MATE N LOCK AMP	1209350-12
	HEYMAN TAB BLU	9007232
	HEYMAN TAB RED	9007231
	HEYMAN TAB YEL	9007233
REF	PARTS LIST	A-PL-783C-0-0
DI	DIODE DMI	1102933
R1 R2	150HMS 25W	1300181
C3	CAP	FURN WITH T1
C1, C2	CAP 160,000 μF	1004874
T1	TRANS T-68157	1610416
REF DES	DESCRIPTION	PART NO.

REVISIONS	CHK	CHG NO	REV

DEC FORM NO. DRC 102

DRN	DATE
W. H. H.	2-3-71
CHK'D	DATE
	3-25-71
DES	DATE
	5-2-71
PROV	DATE
	9-13-71

TRANSISTOR & DIODE CONVERSION CHART			
DEC		EIA	

**digital**  
 EQUIPMENT CORPORATION  
 MAYNARD, MASSACHUSETTS

TITLE POWER SUPPLY  
 783C

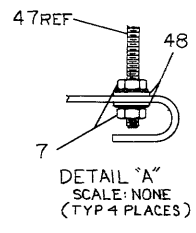
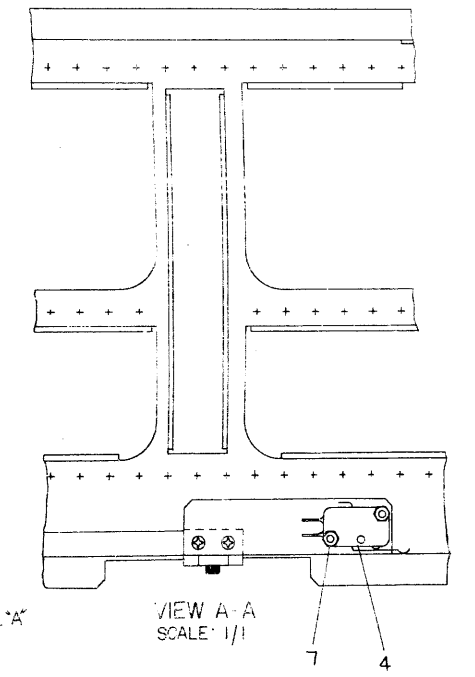
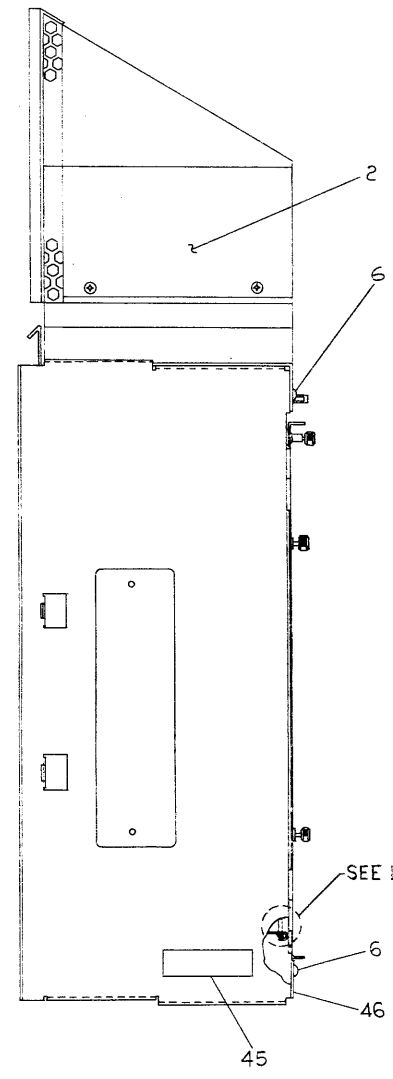
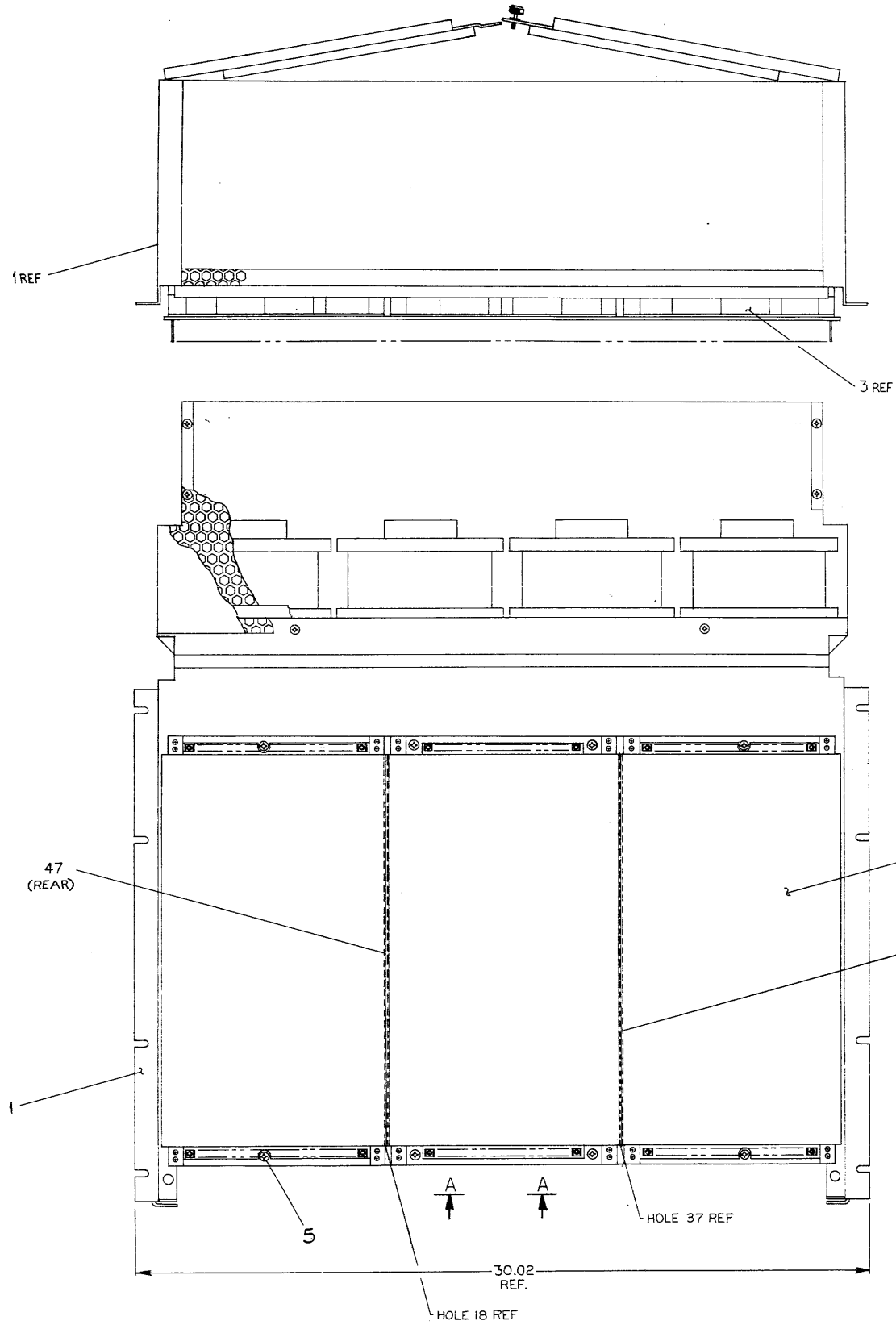
SIZE CODE NUMBER REV  
 C CS 783C-0-1 C

PRINTED CIRCUIT REV.

REV. C  
 SIZE CODE NUMBER  
 C CS 783C-0-1



NOTE:  
1. INSTALL ITEMS #7, #47, AND #48 IN REAR HOLES #18 AND #37.



CAUTION:  
OFF SHEET PARTS LIST EXISTS

FIRST USED ON OPT/OP MODEL	QTY.	DESCRIPTION	PART NO.	ITEM NO.
KL10				
UNLESS OTHERWISE SPECIFIED DIMENSION IN INCHES.				
TOLERANCES				
DECIMALS	ANGLES	DRN.	DATE	
.XXX - .000	± 0° 30'	M. G. G.	5-22-72	
.XXX - .000	± 0° 30'	DRN.	DATE	
.XXX - .000	± 0° 30'	DRN.	DATE	
REMOVE BURRS AND BREAK SHARP CORNERS. SURFACE QUALITY.				
MATERIAL				
SEE PARTS LIST				
NEXT HIGHER ASSY.				
D-11A-KL10-0-0				
SCALE 1/P				
FINISH				
SHEET 1 OF 1				

**digital** EQUIPMENT CORPORATION  
LOGIC ASSY CPU

7009418-0-0 A

J  
H  
F  
E  
D  
C  
B  
A

J  
H  
F  
E  
D  
C  
B  
A

7009418-0-0 A

**DIGITAL EQUIPMENT CORPORATION**  
MAYNARD, MASSACHUSETTS.

**PARTS LIST**

MADE BY V. SOUZA  
 DATE 2/7/75  
 ENG *pprovident*  
 DATE 3-25-75

CHECKED *V.S.*  
 DATE 3-25-75  
 PROD *pprovident*  
 DATE 3-25-75

SECTION  
 ISSUED SECT.

ITEM NO.	DWG NO. / PART NO.	DESCRIPTION	SIZE CODE	NUMBER	REV.	ECO NO.
1	E-IA-7009859-0-0	COOLING ASSY	A	PL	7009418-0-0	A
2	E-AD-7009411-0-0	FAN ASSY (CPU)				
3	E-AD-7009438-0-0	WIRED ASSY (CPU)				
4	1210755	SWITCH, MICRO SPDT				
5	9006075-1	SCR, PHL PAN HD 10-32 X .75				
6	9006072-1	SCR, PHL PAN HD 10-32 X .44				
7	9006557	NUT, KEPS 4-40				
8	M8510	SHIFT MATRIX				
9	M8511	CONTROL ROM ADDRESS				
10	M8512	DATA PATH BOARD				
11	M8513	CACHE CONTROL				
12	M8516	ECL, TTL TRANSLATOR				
13	M8517	MEMORY BUFFER				
14	M8518	PHYSICAL MEMORY ADDRESS MODULE				
15	M8519	INT MEM BUS TRANSLATOR (S BUS)				
16	M8520	PAGING BOARD				
17	M8522	IR, D RAM & CARRY				
18	M8523	VIRTUAL MEMORY ADDRESS				
19	M8524	SCAD PC13-17 PC FLAGS				
20	M8525	CONTROL REGISTER				
21	M8526	CLOCK CONTROL				
22	M8527	E BOX CONTROL LOGIC				

TITLE

LOGIC ASSY CPU

ASSY NO.

E-AD-7009418-0-0

SIZE CODE

A PL

NUMBER

7009418-0-0

REV.

A

ECO NO.

SHEET 1 OF 3

DIST.

DEC FORM DEC 16-(325)-1031-N870  
DRA 110

**DIGITAL EQUIPMENT CORPORATION**  
MAYNARD, MASSACHUSETTS.

**PARTS LIST**

MADE BY V. SOUZA  
 DATE 2/7/75  
 ENG *pprovident*  
 DATE 3-25-75

CHECKED *V.S.*  
 DATE 3-25-75  
 PROD *pprovident*  
 DATE 3-25-75

SECTION  
 ISSUED SECT.

ITEM NO.	DWG NO. / PART NO.	DESCRIPTION	SIZE CODE	NUMBER	REV.	ECO NO.
23	M8528	CONTROL RAM				
24	M8529	M BOX CONTROL LOGIC				
25	M8530	E BOX MEMORY CONTROL				
26	M8531	M BOX CONTROL 3				
27	M8532	PRIORITY INTERRUPT E BUS INTERFACE				
28	M8537	M BOX CONTROL #4				
29	M8538	MTR (METER)				
30	M8539	APR (ARITHMETIC PROCESS REGISTER)				
31	M8521 *	CACHE DATA	REF			
32	M8514 *	CACHE ADDRESS	REF			
33	M8515 *	CACHE EXTENSION	REF			
34	M8533 **	CHANNEL CONTROL	REF			
35	M8534 **	CHANNEL CONTROL WORK	REF			
36	M8535 **	CHANNEL RAM CONTROL	REF			
37	M8536 **	CHANNEL CONTROL LOGIC	REF			
38	M8549-YA ***	CHANNEL CONTROL SUBSTITUTE	REF			
39	M8549-YB ***	CHANNEL CONTROL WORD SUBSTITUTE	REF			
40	M8549-YD ***	CHANNEL CONTROL LOGIC SUBSTITUTE	REF			
41	M8549-YE ****	CACHE ADDRESS SUBSTITUTE	REF			
42	M8549-YF ****	CACHE EXTENSION SUBSTITUTE	REF			
43	M8549-YH ****	CACHE DATA SUBSTITUTE	REF			
44	D-MU-KL10-0-CPU	MODULE UTILIZATION	REF			

TITLE

LOGIC ASSY CPU

ASSY NO.

E-AD-7009418-0-0

SIZE CODE

A PL

NUMBER

7009418-0-0

REV.

A

ECO NO.

7009418-0-0

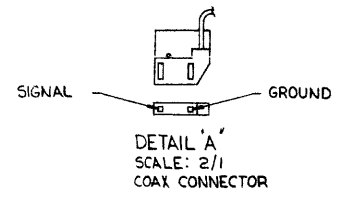
SHEET 2 OF 3

DIST.

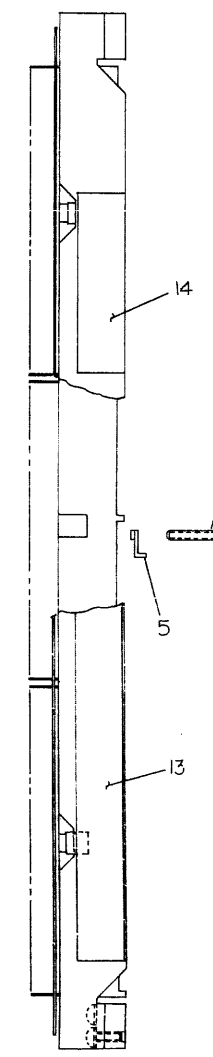
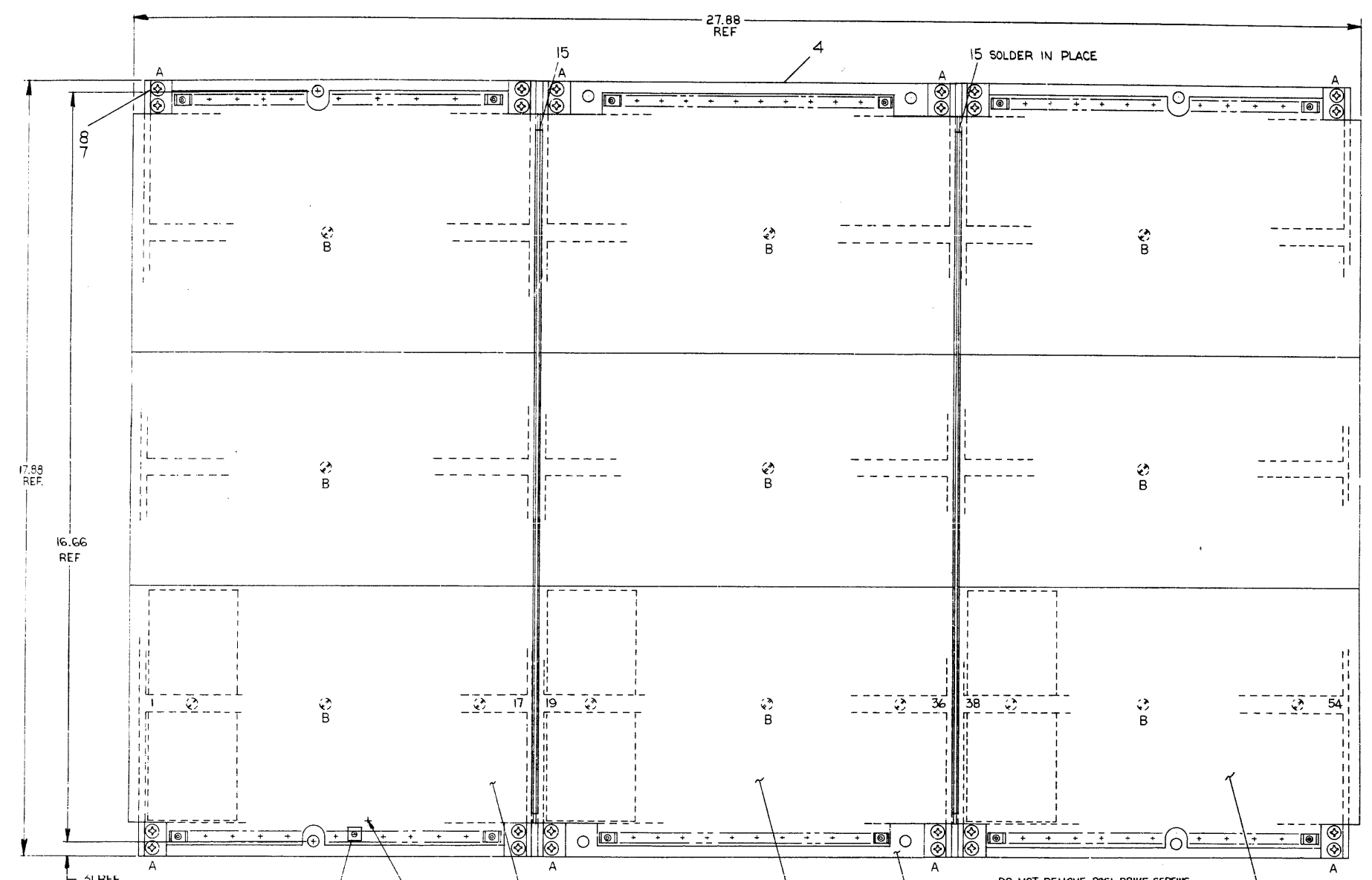
DEC FORM DEC 16-(325)-1031-N870  
DRA 110



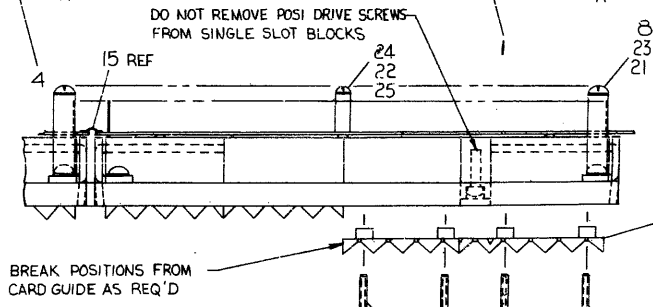
This drawing and specifications, forms, and the price thereon are the property of Digital Equipment Corporation. They are to be used only for the equipment and for the quantities and conditions specified on the purchase order. COPYRIGHT © 1974 DIGITAL EQUIP. CORP.



- NOTES:
- AFTER WIRE WRAP REMOVE #8-32 x .62 POZI DRIVE SCREW AND ADD ITEM #5 AND REPLACE SCREW WITH ITEM #6 (9. (CENTER ROW ONLY)
  - COAX JUMPERS TO BE CONNECTED BEFORE WIRE WRAP. CONNECTIONS TO BE MADE WITH SIGNAL & GROUND AS SHOWN IN DETAIL 'A'.
  - FOR N.C. WIRE WRAPPING, USE PALLET 9606103-0-0.
  - BEFORE WIRE WRAP REMOVE #8-32 x .44 SCREWS (8) 'A' PLACES AND #6-32 x .31 SCREWS (9) 'B' PLACES. REPLACE WITH SPACERS (ITEMS 21 & 22) AND SCREWS (ITEMS 23 & 24) AS SHOWN.



COAX JUMPER TABLE					COAX JUMPER TABLE					COAX JUMPER TABLE							
ITEM NO	SIGNAL	GND	SIGNAL	GND	REMARKS	ITEM NO	SIGNAL	GND	SIGNAL	GND	REMARKS	ITEM NO	SIGNAL	GND	SIGNAL	GND	REMARKS
12	A32E2	A33D1	C40R2	C40N2	SEE NOTE 2 & DETAIL 'A'	12	C32J2	C33J1	C38R2	C38N2	SEE NOTE 2 & DETAIL 'A'	12	F32F2	F32F1	C29R2	C29N2	SEE NOTE 2 & DETAIL 'A'
	A32E2	A33E1	C42R2	C42N2			C32K2	C33K1	C35R2	C35N2			F32P2	F32P1	C31R2	C31N2	
	A32E2	A33F1	C44R2	C44N2			C32S2	C33S1	C34R2	C34N2			F32R2	F32R1	C32R2	C32N2	
	A32E2	A33P1	C45R2	C45N2			D32D2	D32D1	C09R2	C09N2			F32S2	F32S1	C33R2	C33N2	
	A32E2	A33R1	C50R2	C50N2			D32E2	D32E1	C10R2	C10N2		12	STAKED PIN BELOW F10V1	F10V1	F32V2	F32V1	SEE NOTE 2 & DETAIL 'A'
	A32E2	A33S1	C52R2	C52N2			D32F2	D32F1	C11R2	C11N2							
	B32D2	B33D1	C53R2	C53N2			D32P2	D32P1	C12R2	C12N2							
	B32E2	B33E1	C51R2	C51N2			D32R2	D32R1	C14R2	C14N2							
	B32E2	B33F1	C49R2	C49N2			D32S2	D32S1	C15R2	C15N2							
	B32E2	B33P1	C43R2	C43N2			E32D2	E32D1	C16R2	C16N2							
	B32E2	B33R1	C41R2	C41N2			E32P2	E32P1	C20R2	C20N2							
	B32E2	B33S1	C39R2	C39N2			E32R2	E32R1	C21R2	C21N2							
	C32D2	C33D1	C54R2	C54N2			E32S2	E32S1	C22R2	C22N2							
	C32E2	C33E1	C48R2	C48N2	SEE NOTE 2		F32D2	F32D1	C23R2	C23N2	SEE NOTE 2						
	C32E2	C33F1	C47R2	C47N2	SEE NOTE 2 & DETAIL 'A'		F32E2	F32E1	C28R2	C28N2	SEE NOTE 2 & DETAIL 'A'						



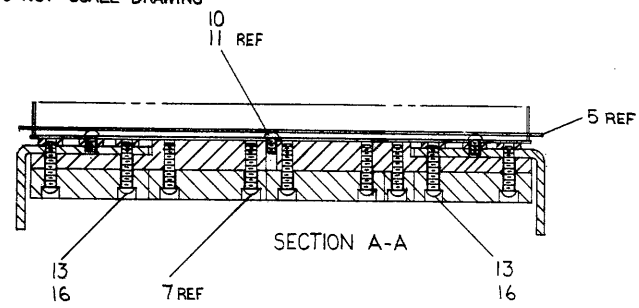
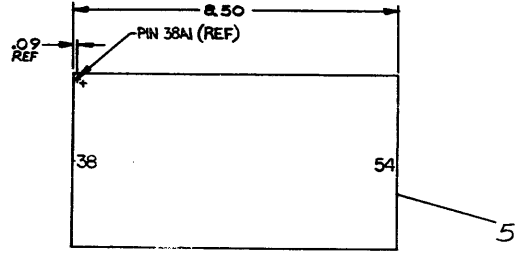
REF	QTY	REV	STATUS	DESCRIPTION	ITEM NO.
9				WASHER, LKG INT TOOTH #6	9006633
9				SCR, PHL PAN HD #6-32 x .100	9006023-1
8				SCR, PHL PAN HD #8-32 x 1.75	9006042-1
9				SPACER, #6 CLEAR x .825 LG	9006806
8				SPACER, #8 CLEAR x 1.38 LG	9006207
REF	AWT	REV	STATUS	AWT-7009438-0	2
REF	WIRE	LIST		K-WL-KL10-0-PA1	9
A/R	WIRE, INS SOLID #28AWG (GRY)			9107720-0	18
A/R	WIRE, INS SOLID #28AWG (GRY)			9107769-0	7
1	COAX CONN			1212351	16
2	STRIP, GROUND			C-MD-741147-0-0	15
1	LABEL, ADHESIVE BACK			909255	14
1	DECAL, LOGIC ASSY REVISION			A-DC-7411381-C-C	13
35	COAX JUMPER			1700039	12
A/R	WIRE, INS SOLID #30AWG (BLK/WHT)			9107720-0	9
A/R	WIRE, INS SOLID #30AWG (VEL)			9105740-66	10
12	SCR, PHL #5 FLT HD #8-32 x 1.03			9009665-2	9
24	WASHER, LKG INT TOOTH #8			9006634	8
16	SCR, PHL PAN HD #8-32 x .44			9006038-1	7
12	SCR, PHL FLAT HD #8-32 x .81			9009070-2	6
12	CARD GUIDE			1210698	5
2	BAR, BACK PLANE TOP & BOT			D-MD-7412201-0-0	4
1	CPU #3 BACK PLANE ASSY			E-AD-733947-0-0	3
1	CPU #2 BACK PLANE ASSY			E-AD-7003415-0-0	2
1	CPU #1 BACK PLANE ASSY			E-AD-7009416-0-0	1

DATE	12-22-74	DATE	12-22-74
DRN	KL10	DATE	12-22-74
UNLESS OTHERWISE SPECIFIED DIMENSIONS IN INCHES		DATE	12-22-74
TOLERANCES		DATE	12-22-74
DECIMALS	ANGLES	DATE	12-22-74
.0005	10° 30'	DATE	12-22-74
SEE PARTS LIST		DATE	12-22-74
FINISH		DATE	12-22-74
		DATE	12-22-74

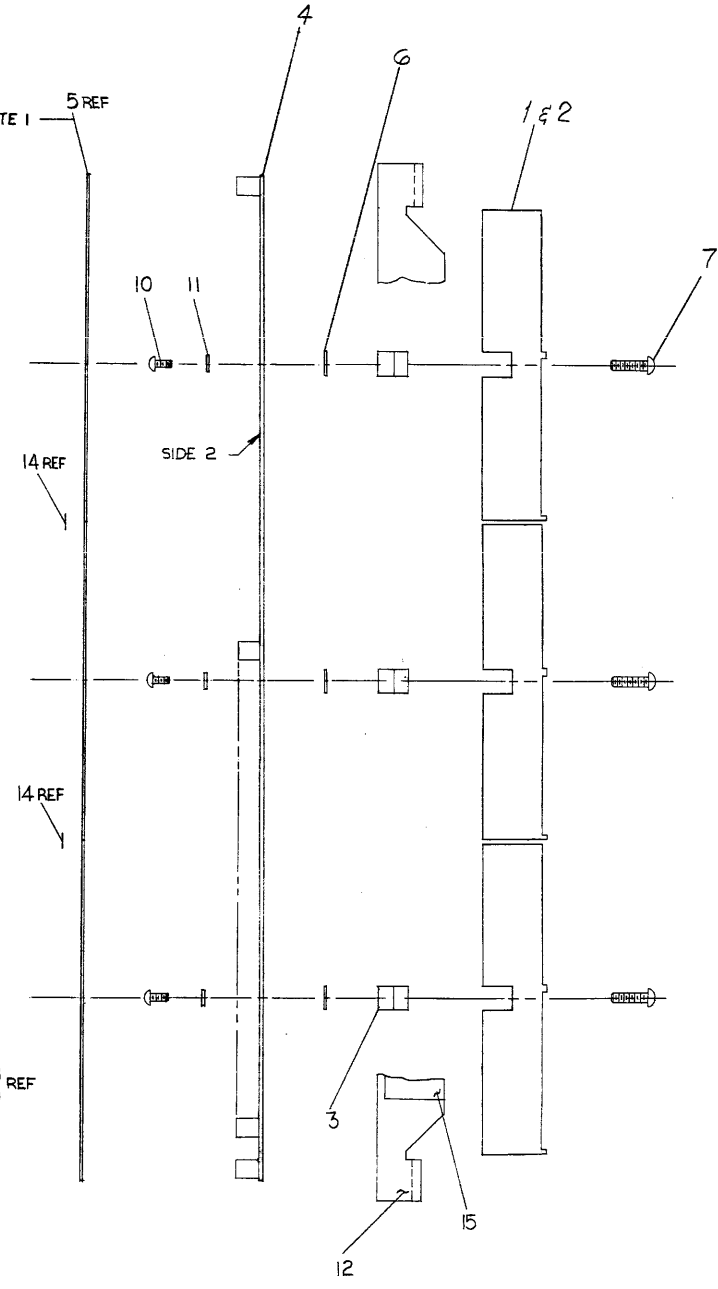
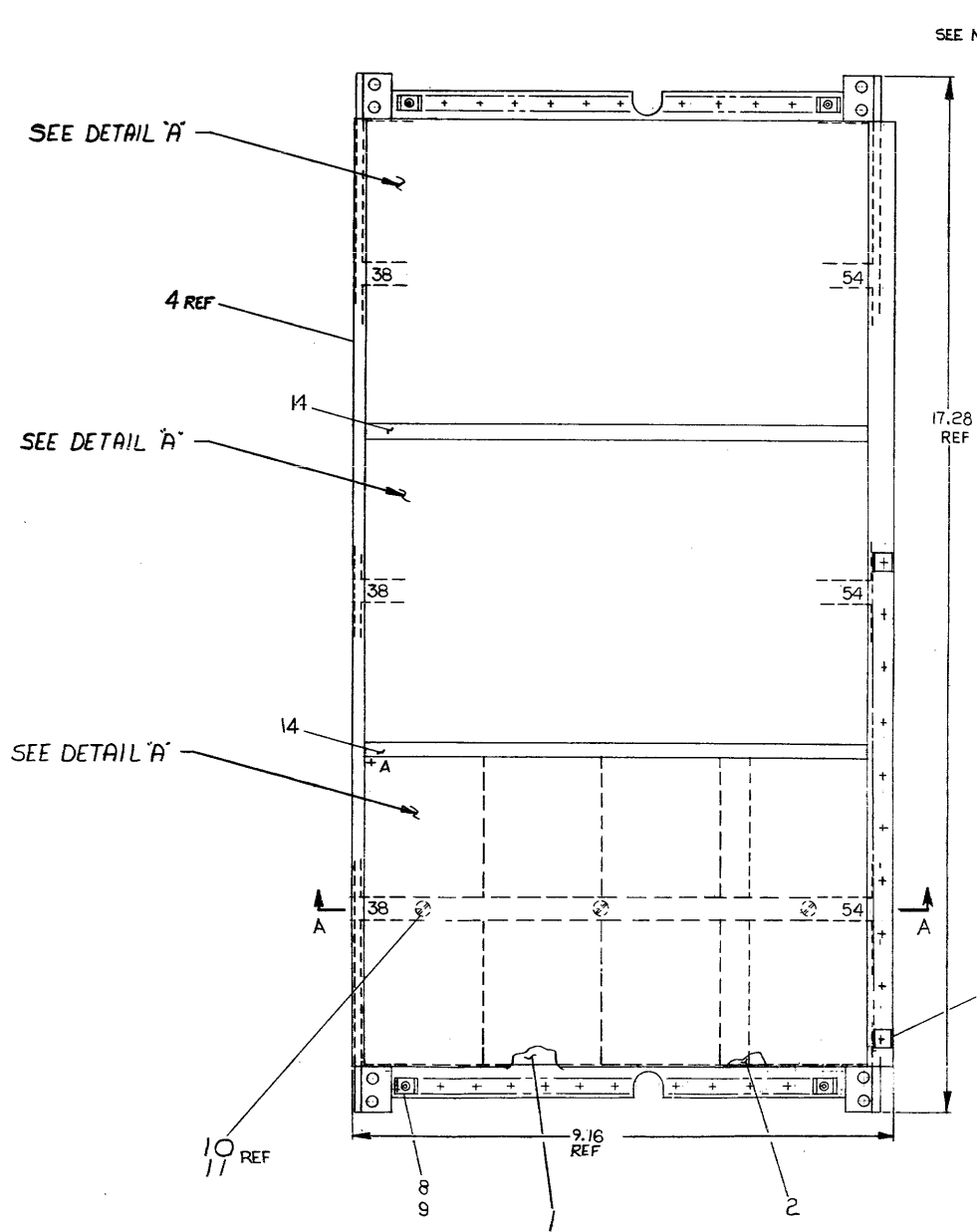
UNLESS OTHERWISE SPECIFIED  
DIMENSIONS IN INCHES  
TOLERANCES  
FRACTIONS DECIMALS ANGLES  
± .005 ± .001 ± .010 ± .015 ± .020 ± .030 ± .040 ± .050 ± .060 ± .070 ± .080 ± .090 ± .100 ± .125 ± .150 ± .1875 ± .250 ± .3125 ± .375 ± .500 ± .625 ± .750 ± 1.000 ± 1.250 ± 1.500 ± 2.000 ± 2.500 ± 3.125 ± 3.750 ± 4.500 ± 5.000 ± 6.250 ± 7.500 ± 8.750 ± 10.000 ± 12.500 ± 15.000 ± 18.750 ± 21.875 ± 25.000 ± 30.000 ± 37.500 ± 45.000 ± 56.250 ± 70.000 ± 87.500 ± 106.250 ± 131.250 ± 156.250 ± 195.3125 ± 244.1406 ± 305.1758 ± 381.4690 ± 476.8362 ± 596.0453 ± 745.0566 ± 931.3208 ± 1164.1510 ± 1455.1638 ± 1819.0547 ± 2273.8184 ± 2849.7729 ± 3569.7161 ± 4472.1451 ± 5596.9314 ± 7000.1143 ± 8750.1429 ± 10937.6786 ± 13672.0983 ± 17090.1229 ± 21362.6536 ± 26653.3170 ± 33316.6463 ± 41645.8079 ± 51657.2599 ± 64071.5749 ± 79088.8186 ± 98011.0606 ± 122033.8263 ± 151542.2829 ± 187051.8592 ± 230064.8365 ± 281581.0456 ± 343412.5570 ± 420565.6963 ± 516852.1154 ± 627443.8943 ± 759296.6715 ± 914511.3694 ± 1118000.0000 ± 1360000.0000 ± 1650000.0000 ± 2000000.0000 ± 2500000.0000 ± 3125000.0000 ± 3906250.0000 ± 4882812.5000 ± 6003515.6250 ± 7329394.5312 ± 8961743.1641 ± 10951678.9551 ± 13379598.6938 ± 16300000.0000 ± 19800000.0000 ± 24000000.0000 ± 29000000.0000 ± 34000000.0000 ± 39000000.0000 ± 45000000.0000 ± 51000000.0000 ± 57000000.0000 ± 63000000.0000 ± 69000000.0000 ± 75000000.0000 ± 81000000.0000 ± 87000000.0000 ± 93000000.0000 ± 99000000.0000 ± 105000000.0000 ± 111000000.0000 ± 117000000.0000 ± 123000000.0000 ± 129000000.0000 ± 135000000.0000 ± 141000000.0000 ± 147000000.0000 ± 153000000.0000 ± 159000000.0000 ± 165000000.0000 ± 171000000.0000 ± 177000000.0000 ± 183000000.0000 ± 189000000.0000 ± 195000000.0000 ± 201000000.0000 ± 207000000.0000 ± 213000000.0000 ± 219000000.0000 ± 225000000.0000 ± 231000000.0000 ± 237000000.0000 ± 243000000.0000 ± 249000000.0000 ± 255000000.0000 ± 261000000.0000 ± 267000000.0000 ± 273000000.0000 ± 279000000.0000 ± 285000000.0000 ± 291000000.0000 ± 297000000.0000 ± 303000000.0000 ± 309000000.0000 ± 315000000.0000 ± 321000000.0000 ± 327000000.0000 ± 333000000.0000 ± 339000000.0000 ± 345000000.0000 ± 351000000.0000 ± 357000000.0000 ± 363000000.0000 ± 369000000.0000 ± 375000000.0000 ± 381000000.0000 ± 387000000.0000 ± 393000000.0000 ± 399000000.0000 ± 405000000.0000 ± 411000000.0000 ± 417000000.0000 ± 423000000.0000 ± 429000000.0000 ± 435000000.0000 ± 441000000.0000 ± 447000000.0000 ± 453000000.0000 ± 459000000.0000 ± 465000000.0000 ± 471000000.0000 ± 477000000.0000 ± 483000000.0000 ± 489000000.0000 ± 495000000.0000 ± 501000000.0000 ± 507000000.0000 ± 513000000.0000 ± 519000000.0000 ± 525000000.0000 ± 531000000.0000 ± 537000000.0000 ± 543000000.0000 ± 549000000.0000 ± 555000000.0000 ± 561000000.0000 ± 567000000.0000 ± 573000000.0000 ± 579000000.0000 ± 585000000.0000 ± 591000000.0000 ± 597000000.0000 ± 603000000.0000 ± 609000000.0000 ± 615000000.0000 ± 621000000.0000 ± 627000000.0000 ± 633000000.0000 ± 639000000.0000 ± 645000000.0000 ± 651000000.0000 ± 657000000.0000 ± 663000000.0000 ± 669000000.0000 ± 675000000.0000 ± 681000000.0000 ± 687000000.0000 ± 693000000.0000 ± 699000000.0000 ± 705000000.0000 ± 711000000.0000 ± 717000000.0000 ± 723000000.0000 ± 729000000.0000 ± 735000000.0000 ± 741000000.0000 ± 747000000.0000 ± 753000000.0000 ± 759000000.0000 ± 765000000.0000 ± 771000000.0000 ± 777000000.0000 ± 783000000.0000 ± 789000000.0000 ± 795000000.0000 ± 801000000.0000 ± 807000000.0000 ± 813000000.0000 ± 819000000.0000 ± 825000000.0000 ± 831000000.0000 ± 837000000.0000 ± 843000000.0000 ± 849000000.0000 ± 855000000.0000 ± 861000000.0000 ± 867000000.0000 ± 873000000.0000 ± 879000000.0000 ± 885000000.0000 ± 891000000.0000 ± 897000000.0000 ± 903000000.0000 ± 909000000.0000 ± 915000000.0000 ± 921000000.0000 ± 927000000.0000 ± 933000000.0000 ± 939000000.0000 ± 945000000.0000 ± 951000000.0000 ± 957000000.0000 ± 963000000.0000 ± 969000000.0000 ± 975000000.0000 ± 981000000.0000 ± 987000000.0000 ± 993000000.0000 ± 999000000.0000 ± 1000000000.0000

DO NOT SCALE DRAWING

- NOTES:
- CUT ITEM #5 TO LENGTH GIVEN IN DETAIL 'A'. GROUND PLANE PROTECTION SHEETS SHOULD BE TAPED TOGETHER AS SHOWN WITH (ITEM #14) 2 PLACES.
  - BEFORE ASSY OF ITEM #4 (BOARD) REWORK PER D-UA-5410681-0-0 REV 0.
  - FOR ASSY AID REFER TO PROCESS SHEET A-SP-KLI0-SP5



DETAIL 'A'  
SCALE: NONE  
SEE NOTE 1



QTY.	DESCRIPTION	PART NO.	ITEM NO.
12	WASHER, LOCK #8	9006690	16
1	LABEL, ADHESIVE BACK	9009255	15
AIR	TAPE, TRANSPARENT .25 W	9009647	14
12	SCR, PHL FIL HD #8-32 x .81	9009664-6	13
2	BRACKET LOGIC FRAME	D-1A-7412900-0-0	12
9	WASHER LOCK INT TOOTH #6	9006633	11
9	SCR, SLOTTED BIND HD #6-32 x .31	9006021-4	10
34	FASTON TAB	9007113	9
34	EYELET	9006732	8
15	SCR, FIL HD POZI DRIVE #8-32 x .62	9006120-6	7
3	SPACER, BACK PLANE	CMD-M11393-2-0	6
3	GND PLANE PROTECTION SHIT	DIA-5011786-0-0	5
1	ETCH CIRCUIT BOARD	5010660	4
3	BAR BACK PLANE (CPU)	CMD-M11944-0-0	3
3	CONN BLOCK, 72 PIN	D-PS-121425-0-0	2
12	288 PIN CONN BLOCK (H863)	E-SC1210258-0-0	1

REV. 0  
DATE 8-13-72  
BY J. PROVIDENT  
CHKD J. PROVIDENT  
DATE 8-17-72

FIRST USED ON QTY./MFG. KLI0

UNLESS OTHERWISE SPECIFIED DIMENSIONS IN INCHES

TOLERANCES FRACTIONS DECIMALS ANGLES ± .005 ± .001 ± .010 ± .015 ± .020 ± .030 ± .040 ± .050 ± .060 ± .070 ± .080 ± .090 ± .100 ± .125 ± .150 ± .1875 ± .250 ± .3125 ± .375 ± .500 ± .625 ± .750 ± 1.000 ± 1.250 ± 1.500 ± 2.000 ± 2.500 ± 3.125 ± 3.750 ± 4.500 ± 5.000 ± 6.250 ± 7.500 ± 8.750 ± 10.000 ± 12.500 ± 15.000 ± 18.750 ± 21.875 ± 25.000 ± 30.000 ± 37.500 ± 45.000 ± 56.250 ± 70.000 ± 87.500 ± 106.250 ± 131.250 ± 156.250 ± 195.3125 ± 244.1406 ± 305.1758 ± 381.4690 ± 476.8362 ± 596.0453 ± 745.0566 ± 931.3208 ± 1164.1510 ± 1455.1638 ± 1819.0547 ± 2273.8184 ± 2849.7729 ± 3569.7161 ± 4472.1451 ± 5596.9314 ± 7000.1143 ± 8750.1429 ± 10937.6786 ± 13672.0983 ± 17090.1229 ± 21362.6536 ± 26653.3170 ± 33316.6463 ± 41645.8079 ± 51657.2599 ± 64071.5749 ± 79088.8186 ± 98011.0606 ± 122033.8263 ± 151542.2829 ± 187051.8592 ± 230064.8365 ± 281581.0456 ± 343412.5570 ± 420565.6963 ± 516852.1154 ± 627443.8943 ± 759296.6715 ± 914511.3694 ± 1118000.0000 ± 1360000.0000 ± 1650000.0000 ± 2000000.0000 ± 2500000.0000 ± 3125000.0000 ± 3906250.0000 ± 4882812.5000 ± 6003515.6250 ± 7329394.5312 ± 8961743.1641 ± 10951678.9551 ± 13379598.6938 ± 16300000.0000 ± 19800000.0000 ± 24000000.0000 ± 29000000.0000 ± 34000000.0000 ± 39000000.0000 ± 45000000.0000 ± 51000000.0000 ± 57000000.0000 ± 63000000.0000 ± 69000000.0000 ± 75000000.0000 ± 81000000.0000 ± 87000000.0000 ± 93000000.0000 ± 99000000.0000 ± 105000000.0000 ± 111000000.0000 ± 117000000.0000 ± 123000000.0000 ± 129000000.0000 ± 135000000.0000 ± 141000000.0000 ± 147000000.0000 ± 153000000.0000 ± 159000000.0000 ± 165000000.0000 ± 171000000.0000 ± 177000000.0000 ± 183000000.0000 ± 189000000.0000 ± 195000000.0000 ± 201000000.0000 ± 207000000.0000 ± 213000000.0000 ± 219000000.0000 ± 225000000.0000 ± 231000000.0000 ± 237000000.0000 ± 243000000.0000 ± 249000000.0000 ± 255000000.0000 ± 261000000.0000 ± 267000000.0000 ± 273000000.0000 ± 279000000.0000 ± 285000000.0000 ± 291000000.0000 ± 297000000.0000 ± 303000000.0000 ± 309000000.0000 ± 315000000.0000 ± 321000000.0000 ± 327000000.0000 ± 333000000.0000 ± 339000000.0000 ± 345000000.0000 ± 351000000.0000 ± 357000000.0000 ± 363000000.0000 ± 369000000.0000 ± 375000000.0000 ± 381000000.0000 ± 387000000.0000 ± 393000000.0000 ± 399000000.0000 ± 405000000.0000 ± 411000000.0000 ± 417000000.0000 ± 423000000.0000 ± 429000000.0000 ± 435000000.0000 ± 441000000.0000 ± 447000000.0000 ± 453000000.0000 ± 459000000.0000 ± 465000000.0000 ± 471000000.0000 ± 477000000.0000 ± 483000000.0000 ± 489000000.0000 ± 495000000.0000 ± 501000000.0000 ± 507000000.0000 ± 513000000.0000 ± 519000000.0000 ± 525000000.0000 ± 531000000.0000 ± 537000000.0000 ± 543000000.0000 ± 549000000.0000 ± 555000000.0000 ± 561000000.0000 ± 567000000.0000 ± 573000000.0000 ± 579000000.0000 ± 585000000.0000 ± 591000000.0000 ± 597000000.0000 ± 603000000.0000 ± 609000000.0000 ± 615000000.0000 ± 621000000.0000 ± 627000000.0000 ± 633000000.0000 ± 639000000.0000 ± 645000000.0000 ± 651000000.0000 ± 657000000.0000 ± 663000000.0000 ± 669000000.0000 ± 675000000.0000 ± 681000000.0000 ± 687000000.0000 ± 693000000.0000 ± 699000000.0000 ± 705000000.0000 ± 711000000.0000 ± 717000000.0000 ± 723000000.0000 ± 729000000.0000 ± 735000000.0000 ± 741000000.0000 ± 747000000.0000 ± 753000000.0000 ± 759000000.0000 ± 765000000.0000 ± 771000000.0000 ± 777000000.0000 ± 783000000.0000 ± 789000000.0000 ± 795000000.0000 ± 801000000.0000 ± 807000000.0000 ± 813000000.0000 ± 819000000.0000 ± 825000000.0000 ± 831000000.0000 ± 837000000.0000 ± 843000000.0000 ± 849000000.0000 ± 855000000.0000 ± 861000000.0000 ± 867000000.0000 ± 873000000.0000 ± 879000000.0000 ± 885000000.0000 ± 891000000.0000 ± 897000000.0000 ± 903000000.0000 ± 909000000.0000 ± 915000000.0000 ± 921000000.0000 ± 927000000.0000 ± 933000000.0000 ± 939000000.0000 ± 945000000.0000 ± 951000000.0000 ± 957000000.0000 ± 963000000.0000 ± 969000000.0000 ± 975000000.0000 ± 981000000.0000 ± 987000000.0000 ± 993000000.0000 ± 999000000.0000 ± 1000000000.0000

SEE PARTS LIST

SCALE 1/1

SHEET 1 OF 1

digital EQUIPMENT CORPORATION  
CPU #3  
BACK PLANE ASSY

SIZE CODE EAD 7009416-0-0

NUMBER 7009416-0-0

REV. 0

"THIS DRAWING AND SPECIFICATIONS, HEREIN, ARE THE PROPERTY OF DIGITAL EQUIPMENT CORPORATION AND SHALL NOT BE REPRODUCED OR COPIED OR USED IN WHOLE OR IN PART AS THE BASIS FOR THE MANUFACTURE OR SALE OF ITEMS WITHOUT WRITTEN PERMISSION. COPYRIGHT © 1975 DIGITAL EQUIPMENT CORPORATION"

**NOTES:**

REWORK INSTRUCTIONS:  
 ETCH CUTS SIDE ONE (AS SHOWN)  
 1. CUT ETCH AT P.T.H. C43 E2  
 2. CUT ETCH AT P.T.H. C49 E2

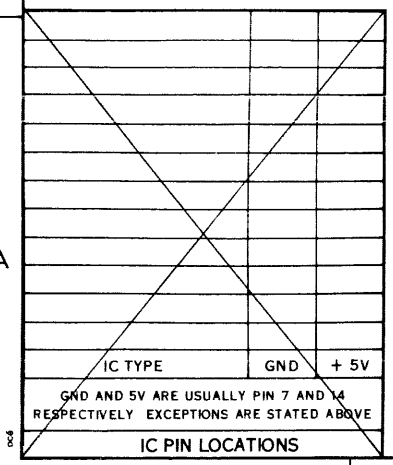
C-0-1890173470 2

1	ETCHED CIRCUIT BOARD	5010660	1
34	TAB, DOUBLE	9007113	2
34	EYELET	9006732	3

D  
C  
B  
A

D  
C  
B  
A

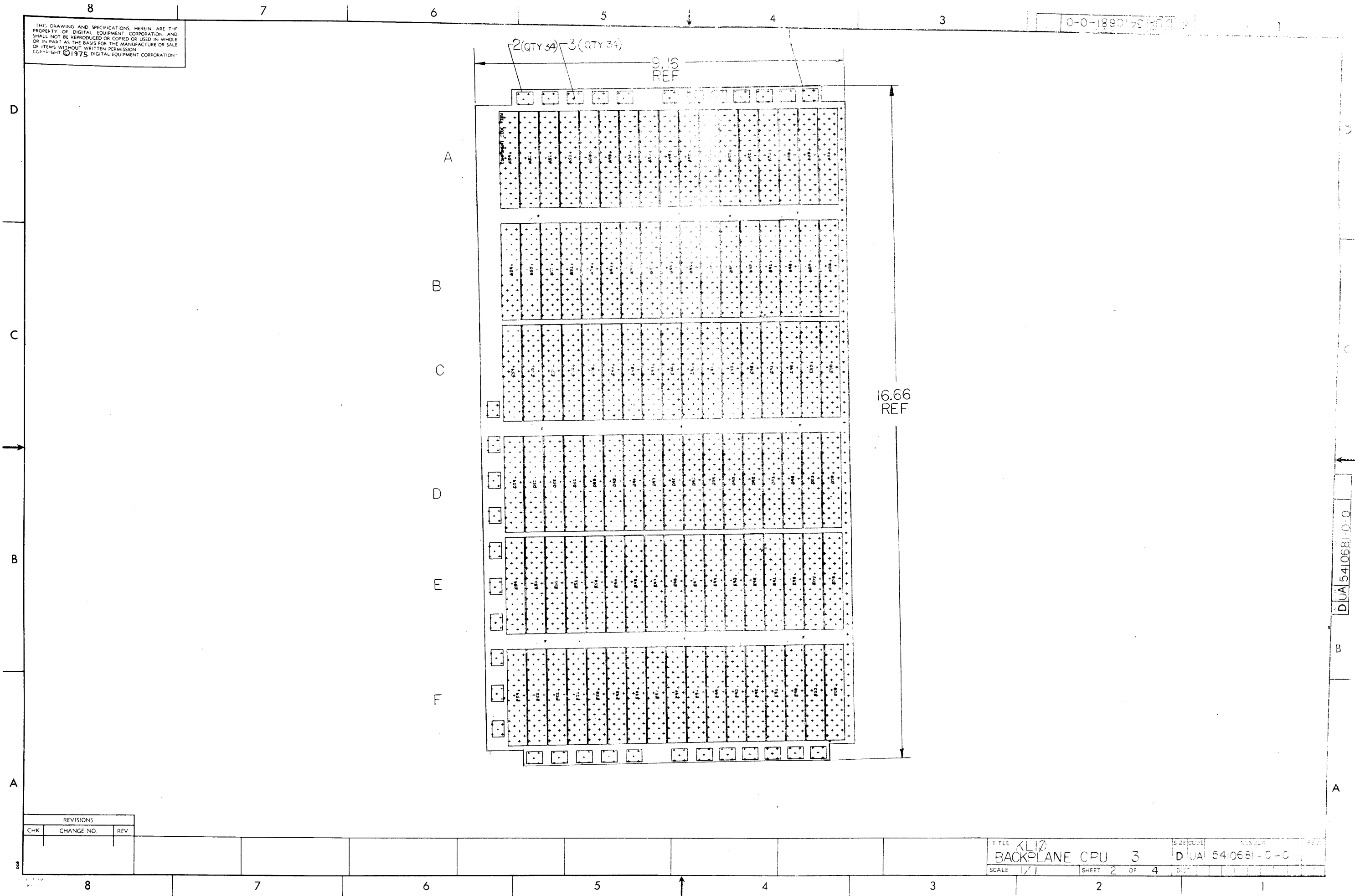
REV  
DUA 5410681-0-0



QTY	REF DESIGNATION	DESCRIPTION	PART NO.	ITEM NO.
PARTS LIST				
FIRST USED ON OPTION MODEL KLIØ				
ETCH BOARD-REV				
CHK	CHANGE NO.	REV	DRN. <i>Deane, Nichols</i> DATE 1-29-75 CHK'D. DATE 2-17-75 ENGR. <i>Flanagan</i> DATE 1-29-75 PROJ. ENGR. <i>Flanagan</i> DATE 1-29-75 PROD. <i>Flanagan</i> DATE 2/14/75 NEXT HIGHER ASSY B-DD-5410681-0 SCALE 1/1 SHEET 1 OF 4	
DEC NO.		EIA NO.	DEC NO.	EIA NO.
SEMICONDUCTOR CONVERSION CHART			TITLE KLIØ BACKPLANE CPU *3 SIZE CODE NUMBER REV. DUA 5410681-0-0	digital EQUIPMENT CORPORATION MAYNARD, MASSACHUSETTS

THIS DRAWING AND SPECIFICATIONS, HEREIN, ARE THE PROPERTY OF DIGITAL EQUIPMENT CORPORATION, AND SHALL NOT BE REPRODUCED OR COPIED OR USED IN WHOLE OR IN PART AS THE BASIS FOR THE MANUFACTURE OR SALE OF ITEMS WITHOUT WRITTEN PERMISSION. COPYRIGHT © 1975 DIGITAL EQUIPMENT CORPORATION.

0-0-1890-55-100 2



REVISIONS		
CHK	CHANGE NO	REV

TITLE	KL10 BACKPLANE CPU 3	SIZE/CODE	ALWAYS	REV
SCALE	1/1	SHEET	2 OF 4	DIST
D U A 5410681-0-0				

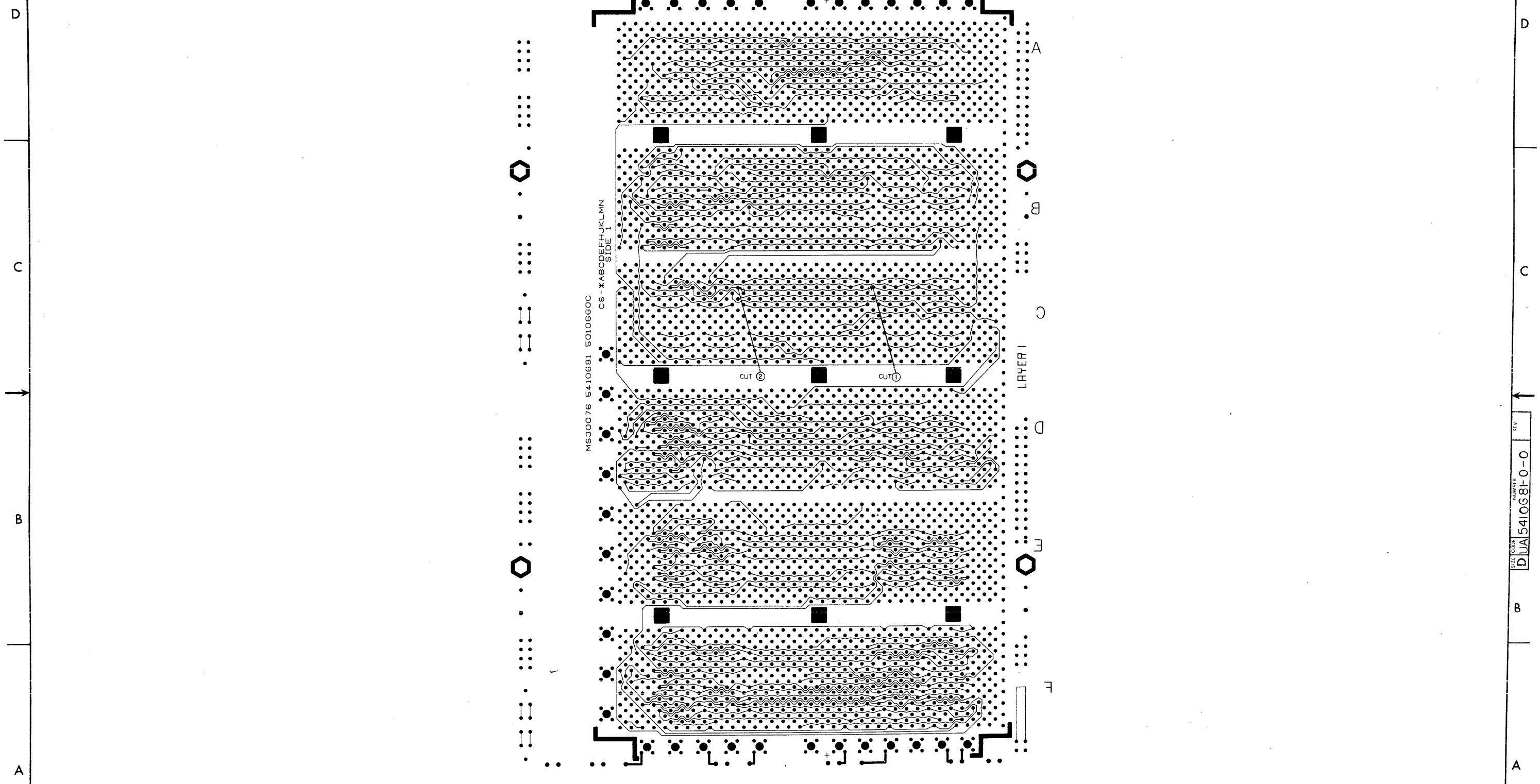
D U A 5410681-0-0

B

A

"THIS DRAWING AND SPECIFICATIONS HEREIN ARE THE PROPERTY OF DIGITAL EQUIPMENT CORPORATION AND SHALL NOT BE REPRODUCED OR COPIED OR USED IN WHOLE OR IN PART AS THE BASIS FOR THE MANUFACTURE OR SALE OF ITEMS WITHOUT WRITTEN PERMISSION. COPYRIGHT © 1975 DIGITAL EQUIPMENT CORPORATION."

SIZE CODE D UA 5410681-0-0 2



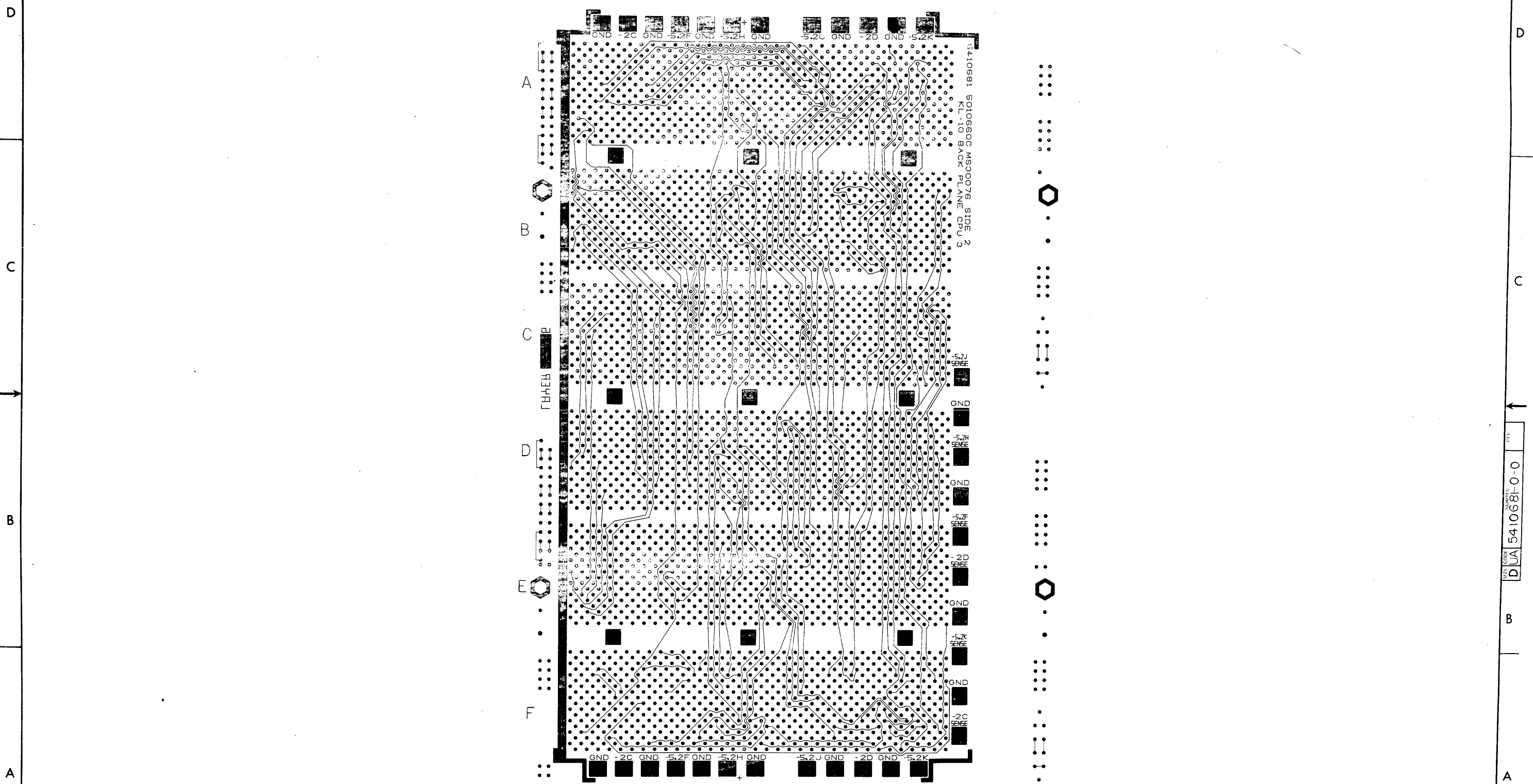
REVISIONS		
CHK	CHANGE NO	REV.

(LAYER 1)  
 TITLE KL10 BACKPLANE CPU \*3  
 SCALE 1/1 SHEET 3 OF 4  
 SIZE CODE D UA NUMBER 5410681-0-0 REV. 1



"THIS DRAWING AND SPECIFICATIONS HEREIN ARE THE PROPERTY OF DIGITAL EQUIPMENT CORPORATION AND SHALL NOT BE REPRODUCED OR COPIED OR USED IN WHOLE OR IN PART AS THE BASIS FOR THE MANUFACTURE OR SALE OF ITEMS WITHOUT WRITTEN PERMISSION. COPYRIGHT © 1975 DIGITAL EQUIPMENT CORPORATION"

0-0-0-5410681-0-0 2 1



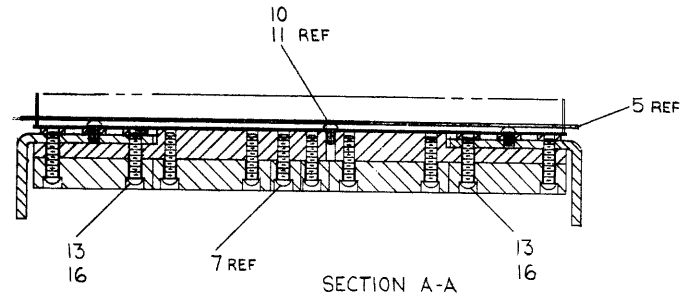
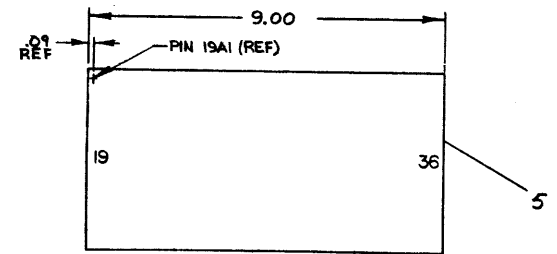
REVISIONS		
CHK	CHANGE NO.	REV

(LAYER 6)		TITLE	KL10 BACKPLANE CPU #3	SIZE CODE	D UA	NUMBER	5410681-0-0	REV.	
SCALE	1/1	SHEET	4 OF 4	DIST.					

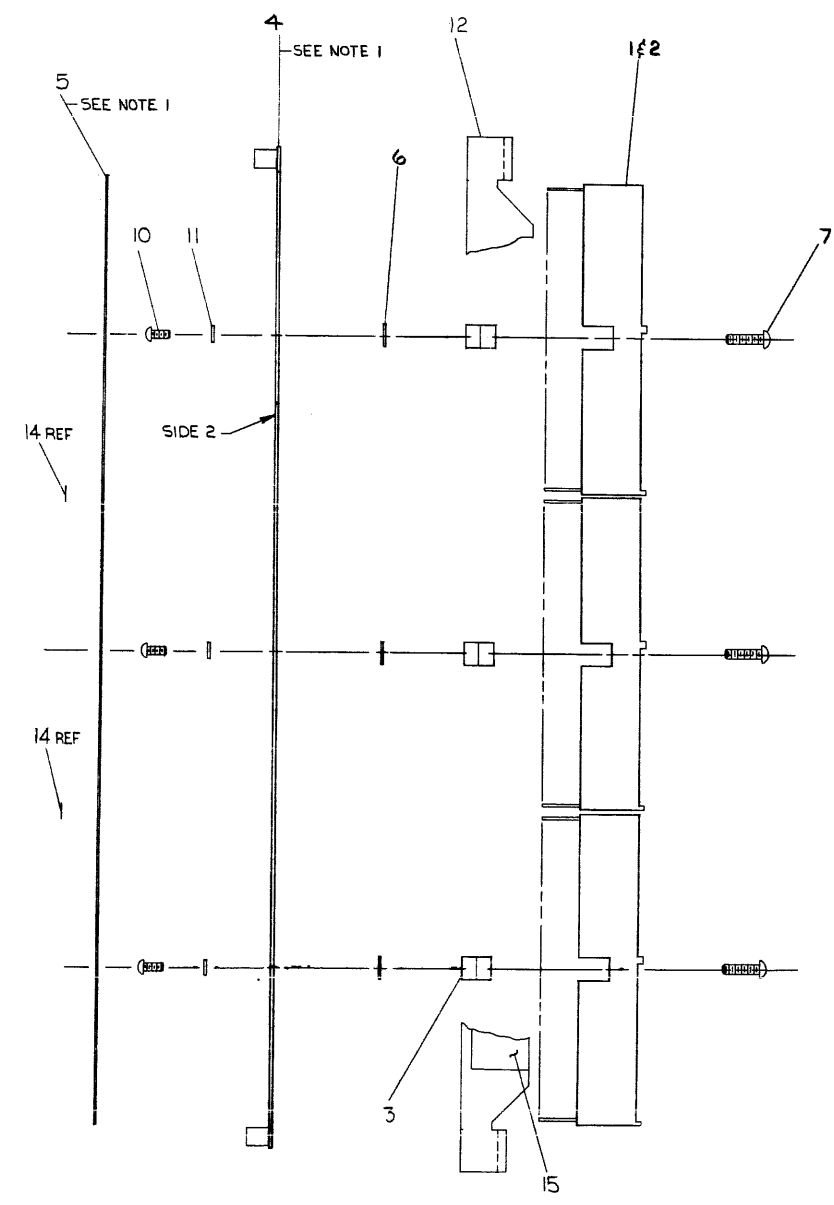
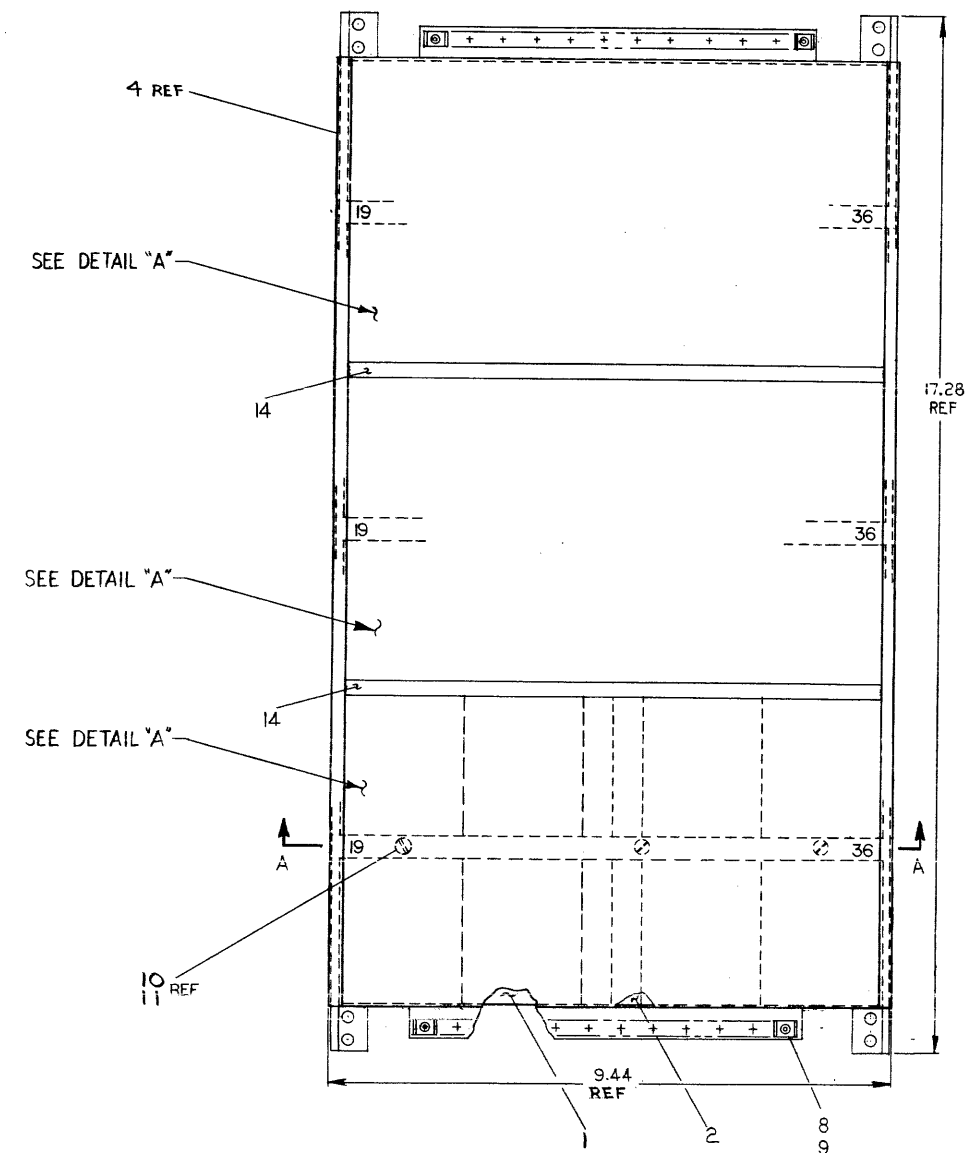
REVISIONS

DO NOT SCALE DRAWING

NOTES:  
 1. CUT ITEM'S TO LENGTH GIVEN IN DETAIL 'A'. GROUND PLANE PROTECTION SHEETS TO BE TAPED TOGETHER AS SHOWN BEFORE ASSY OF ITEM #4 (BOARD) REWORK PER D-UA-5410680-0-0 REV 0.  
 2. FOR ASSY AID, REFER TO PROCESS SHEET A-5P-KL10-SPS.



DETAIL 'A'  
 SCALE: NONE  
 SEE NOTE 1



QTY.	DESCRIPTION	PART NO.	ITEM NO.
	12 WASHER, LOCK "B"	9006690	16
	1 LABEL, ADHESIVE BACK	9009255	15
	A/R TAPE, TRANSPARENT .25W	9009647	14
	12 SCR, PHIL FIL HD "B-32x.81	9009664-6	13
	2 BRACKET LOGIC FRAME	D-1A-7412900-0-0	12
	9 WASHER, LOCK INT TOOTH "6	9006633	11
	9 SCR, SLOTTED BIND HD "6-32x.31	9006021-4	10
	24 FASTON TAB	9007113	9
	24 EYELET	9004732	8
	18 SCR, PHIL HD, POT DRIVE "B-32x.42	9006120-6	7
	3 SPACER, BACK PLANE	C-MD-741399-3-0	6
	3 GND PLANE PROTECTION SHT	D-1A-5009184-0-0	5
	1 ETCH CIRCUIT BOARD	5010659	4
	3 BAR, BACK PLANE (CPU)	CMD-7411943-0-0	3
	6 CONN BLOCK, 72 PIN	D-PS-1211425-0-0	2
	12 288 PIN CONN BLOCK (H063)	E-SC-1210258-0-0	1

FIRST USED ON OPTION/MODEL KL10		PARTS LIST	
UNLESS OTHERWISE SPECIFIED	DATE	EQUIPMENT CORPORATION	
UNLESS OTHERWISE SPECIFIED	DATE	CPU 2	
UNLESS OTHERWISE SPECIFIED	DATE	BACK PLANE ASSY	
UNLESS OTHERWISE SPECIFIED	DATE	SCALE	NUMBER
UNLESS OTHERWISE SPECIFIED	DATE	1/1	E AD 7009415-0-0
UNLESS OTHERWISE SPECIFIED	DATE	SHEET	REV
UNLESS OTHERWISE SPECIFIED	DATE	1	A

REVISIONS  
 CHANGE NO. 1  
 DATE 6-19-72  
 BY J. PROVIDENT

FORM NO. 105

This drawing and specifications, herein, are the property of Digital Equipment Corporation and shall not be reproduced or copied or used in whole or in part as the basis for the manufacture or sale of items without written permission. COPYRIGHT © 1975 DIGITAL EQUIPMENT CORPORATION

**NOTES:**

1. FOR DRAWING DIRECTORY, REFER TO: B-DD-5410680-0

- ETCH CUTS SIDE #1 AS SHOWN
1. CUT GND PAD OFF (THIS IS 31ST PAD FROM THE TOP)
  2. CUT ETCH AT P.T.H. AT E20 R1
  3. CUT ETCH AT P.T.H. AT E23 M2
  - 4-5. CUT ETCH AT FASTON TAB (3RD FROM RIGHT) AT P.T.H. AND AT (5TH PAD FROM RIGHT)
  - 6-7. CUT ETCH AT FASTON TAB (4TH FROM RIGHT) AT P.T.H. AND AT (6TH PAD FROM RIGHT)
  - 8-9. CUT ETCH AT FASTON TAB (7TH FROM RIGHT) AT P.T.H. AND AT (8TH PAD FROM RIGHT)
  - 10-11. CUT ETCH AT FASTON TAB (9TH FROM RIGHT) AT P.T.H. AND AT (9TH PAD FROM RIGHT)
  - 12-13. CUT ETCH AT FASTON TAB (11TH FROM RIGHT) AT P.T.H. AND AT (11TH PAD FROM RIGHT)

- ETCH CUTS SIDE #2 AS SHOWN
- 1-2. CUT ETCH AT P.T.H. AT E20 R1 AND AT P.T.H. D21 M2
  - 3-4. CUT ETCH AT P.T.H. AT A34 D1 AND AT P.T.H. C35 E1
  - 5-6. CUT ETCH AT P.T.H. AT F35 M1 AND AT P.T.H. D36 E1

1	ETCHED CIRCUIT BOARD	5010659	1
24	TAB, DOUBLE	9007113	2
24	EYELET	9006732	3

QTY	REF DESIGNATION	DESCRIPTION	PART NO.	ITEM NO.
-----	-----------------	-------------	----------	----------

FIRST USED ON OPTION MODEL				PARTS LIST			
KL10				ETCH BOARD-REV			

CHK	CHANGE NO.	REV	DATE	BY	digital EQUIPMENT CORPORATION MAYNARD, MASSACHUSETTS TITLE KL10 BACKPLANE CPU #2 SCALE 1/1 SHEET 1 OF 4 DIST.
	REVISIONS				
	DRN		1/22/75		
	CHK'D		2/17/75		
	ENGR		2/18/75		
PROJ. ENGR		2/19/75			
PROD.		2/19/75			
NEXT HIGHER ASSY					
DEC. NO.		EIA NO.		B-DD-5410680-0	
SCALE		1/1		DUA 5410680-0-0	
SEMICONDUCTOR CONVERSION CHART					

A B C D

A B C D

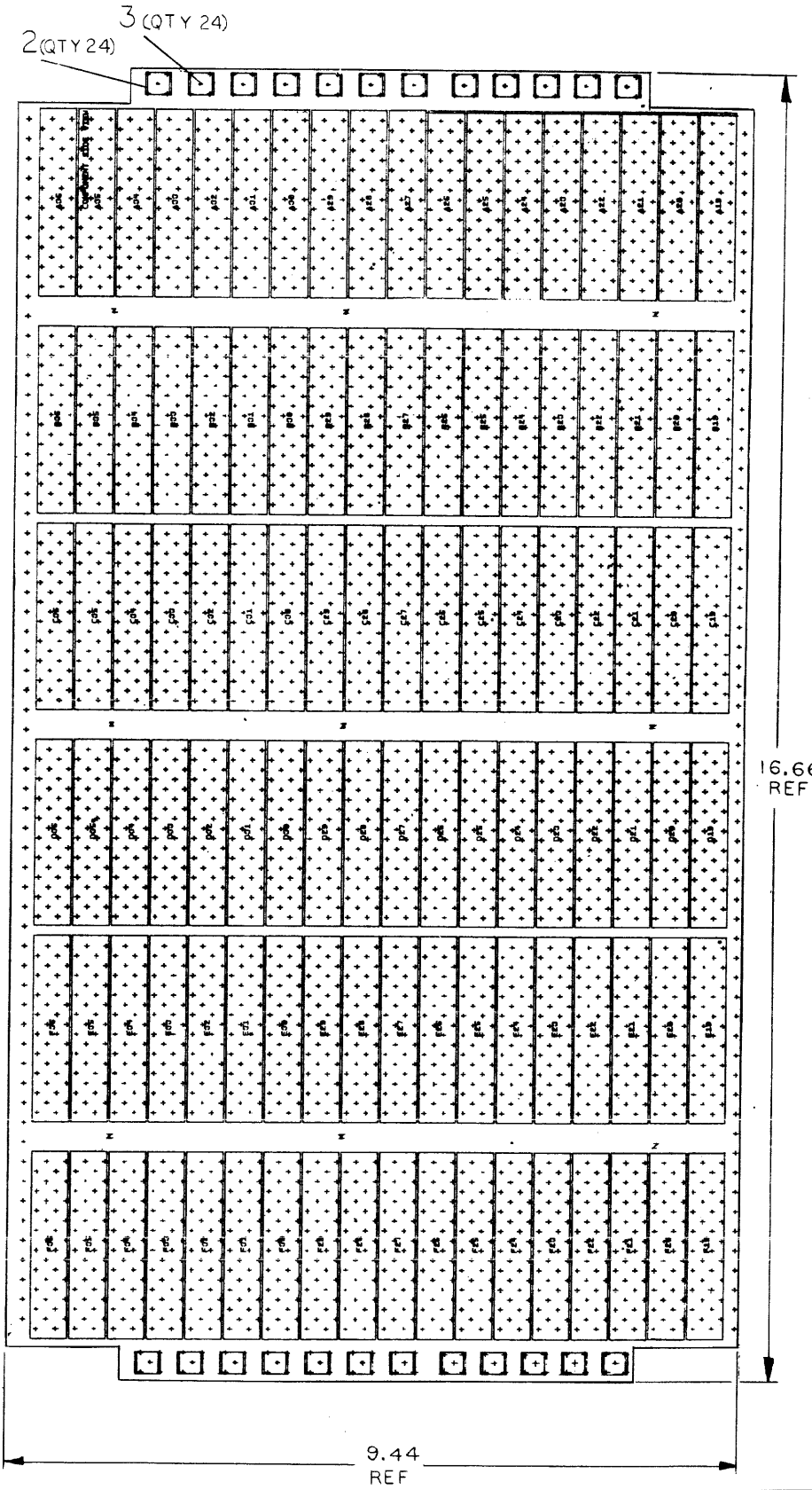
NUMBER  
DUA 5410680-0-0

THIS DRAWING AND SPECIFICATIONS HEREIN ARE THE PROPERTY OF DIGITAL EQUIPMENT CORPORATION, AND SHALL NOT BE REPRODUCED OR COPIED OR USED IN WHOLE OR IN PART AS THE BASIS FOR THE MANUFACTURE OR SALE OF ITEMS WITHOUT WRITTEN PERMISSION. COPYRIGHT © 1975 DIGITAL EQUIPMENT CORPORATION.

DUA 5410680-0-0 2

D  
C  
B  
A

D  
C  
B  
A



2 (QTY 24)  
3 (QTY 24)

16.66  
REF

9.44  
REF

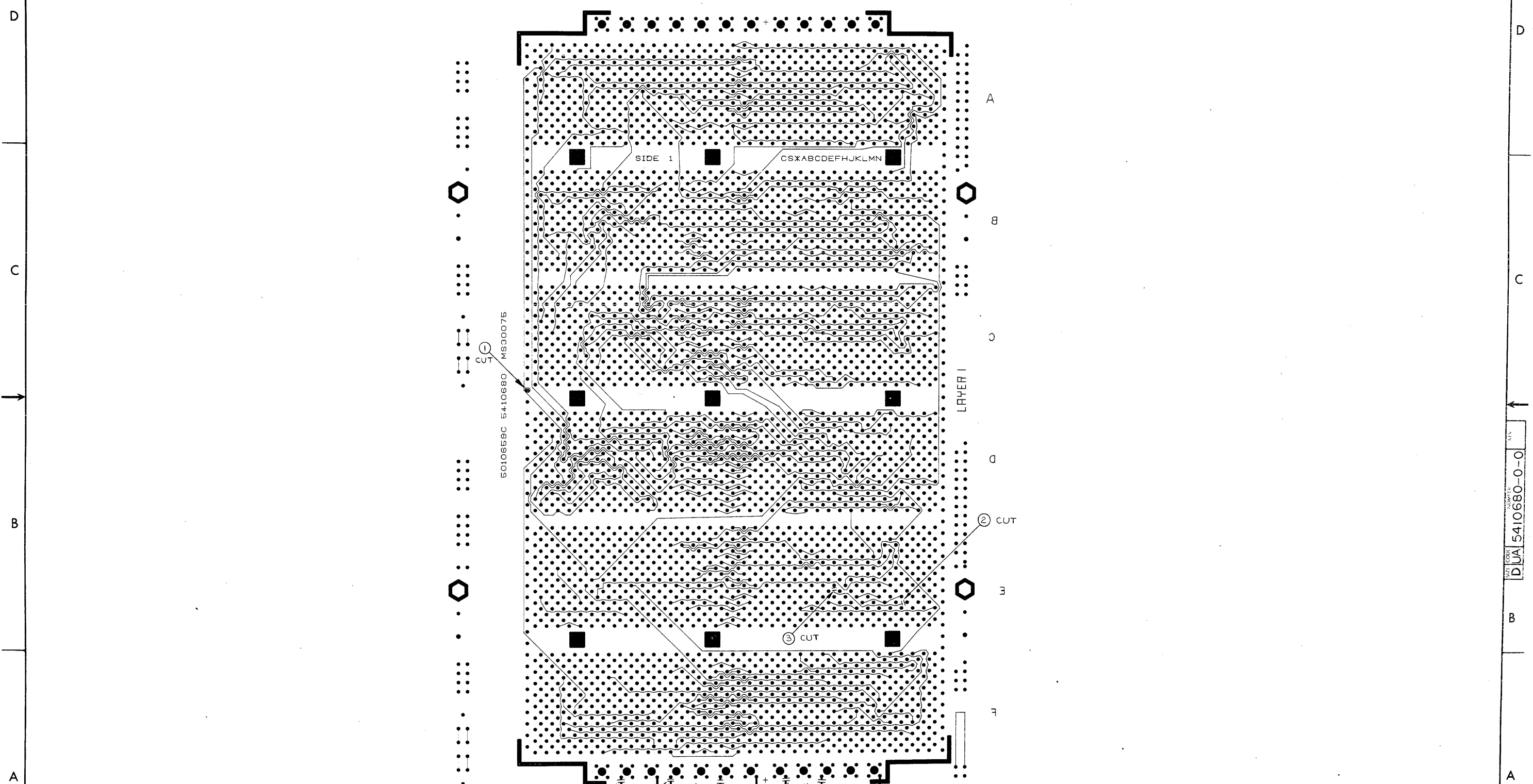
REVISIONS		
CHK	CHANGE NO	REV

TITLE	KL10 BACKPLANE CPU *2	SIZE CODE	DUA	NUMBER	5410680-0-0	REV.	
SCALE	1/1	SHEET	2	OF	4	DIST.	

DUA 5410680-0-0

THIS DRAWING AND SPECIFICATIONS, HEREIN ARE THE PROPERTY OF DIGITAL EQUIPMENT CORPORATION, AND SHALL NOT BE REPRODUCED OR COPIED OR USED IN WHOLE OR IN PART AS THE BASIS FOR THE MANUFACTURE OR SALE OF ITEMS WITHOUT WRITTEN PERMISSION. COPYRIGHT © 1975, DIGITAL EQUIPMENT CORPORATION.

0-0-089018  
DUA 5410680-0-0 2 1



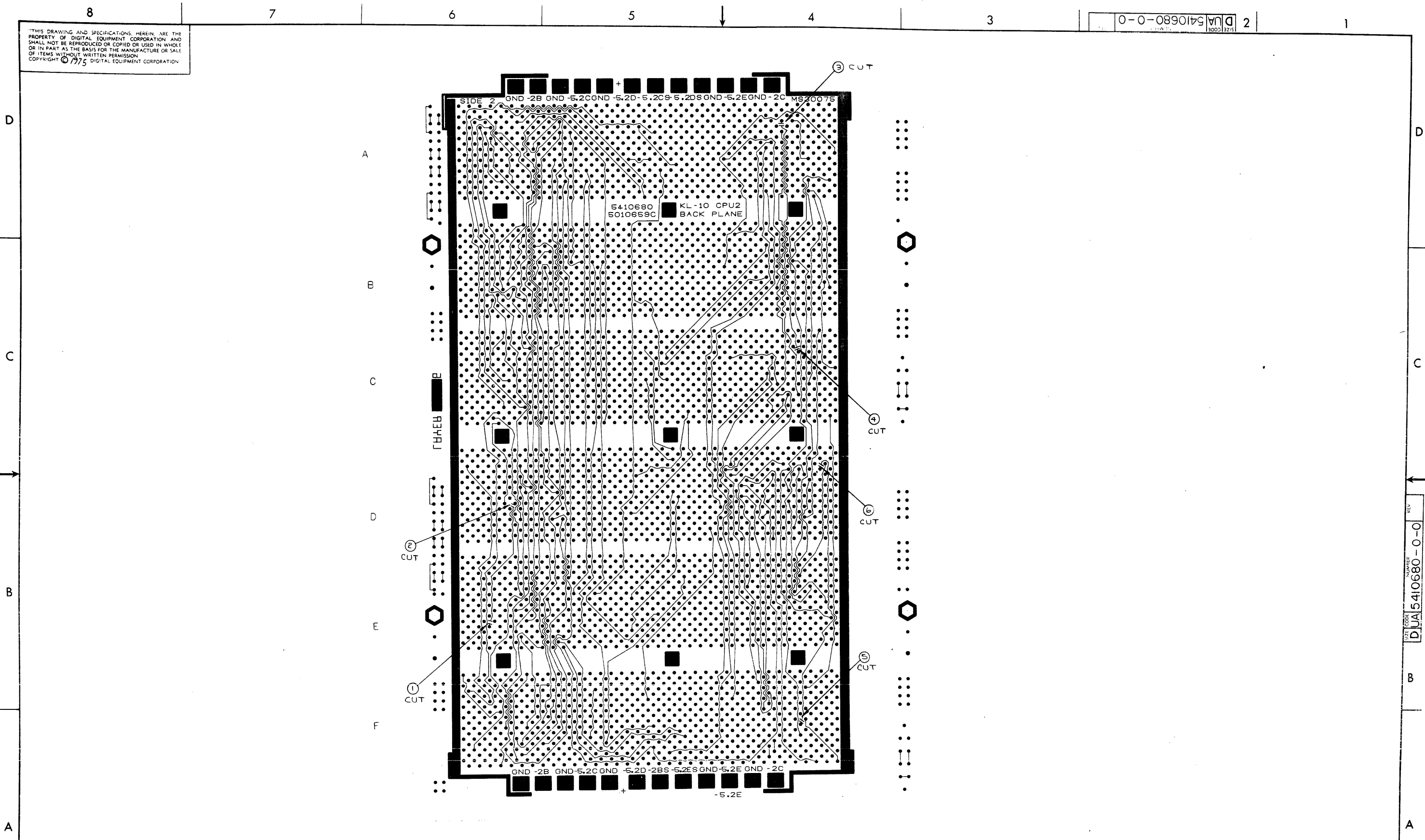
REVISIONS		
CHK	CHANGE NO.	REV.

(LAYER 1)		TITLE	SIZE	CODE	NUMBER	REV.
		KLIØ BACKPLANE CPU #2	D	UA	5410680-0-0	
SCALE	1/1	SHEET	3	OF	4	DIST.

DUA 5410680-0-0

THIS DRAWING AND SPECIFICATIONS HEREIN ARE THE PROPERTY OF DIGITAL EQUIPMENT CORPORATION AND SHALL NOT BE REPRODUCED OR COPIED OR USED IN WHOLE OR IN PART AS THE BASIS FOR THE MANUFACTURE OR SALE OF ITEMS WITHOUT WRITTEN PERMISSION. COPYRIGHT © 1975 DIGITAL EQUIPMENT CORPORATION.

0-0-0890175 DUA 5410680-0-0 2



REVISIONS		
CHK	CHANGE NO	REV

TITLE	KL10 BACK PLANE CPU #2	SIZE CODE	DUA	NUMBER	5410680-0-0	REV.	
SCALE	1/1	SHEET	4	OF	4	DIST.	

DUA 5410680-0-0  
 NUMBER  
 REV



REV. 0-0-0-0  
 NUMBER 5410839  
 SIZE CODE DUA

"THIS DRAWING AND SPECIFICATIONS, HEREIN, ARE THE PROPERTY OF DIGITAL EQUIPMENT CORPORATION AND SHALL NOT BE REPRODUCED OR COPIED OR USED IN WHOLE OR IN PART AS THE BASIS FOR THE MANUFACTURE OR SALE OF ITEMS WITHOUT WRITTEN PERMISSION.  
 COPYRIGHT © 1975 DIGITAL EQUIPMENT CORPORATION"

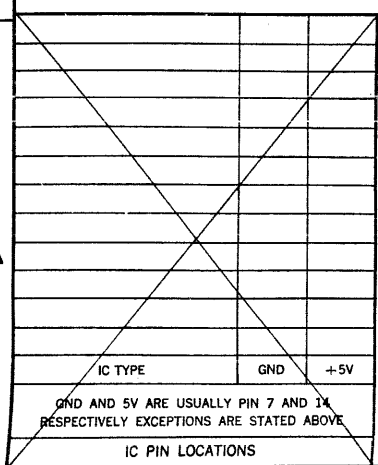
**NOTES:**  
 REWORK INSTRUCTIONS  
 ETCH CUTS SIDE 2 (AS SHOWN)  
 1. CUT ETCH AT PTH AT FIG P2  
 2. CUT ETCH AT PTH AT FIG P2

1	ETCHED CIRCUIT BOARD	5010838	1
30	TAB, DOUBLE	9007113	2
30	EYELET	9006732	3

D  
C  
B  
A

D  
C  
B  
A

REV. 0-0-0-0  
 NUMBER 5410839  
 SIZE CODE DUA



FIRST USED ON OPTION MODEL		KLIØ	
ETCH BOARD-REV.			
DRN.	DATE		
CHK'D	DATE		
ENR	DATE		
PROJ. ENG.	DATE		
PROD.	DATE		
NEXT HIGHER ASSY	DATE		
TITLE		KLIØ	
BACKPLANE		CPU *1	
B-DD-5410839 - 0		SIZE CODE	NUMBER
SCALE		DUA5410839-0-0	
SHEET		OF 4	

CHG. NO. REV.  
 REVISIONS

DEC NO.	EIA NO.	DEC NO.	EIA NO.
---------	---------	---------	---------

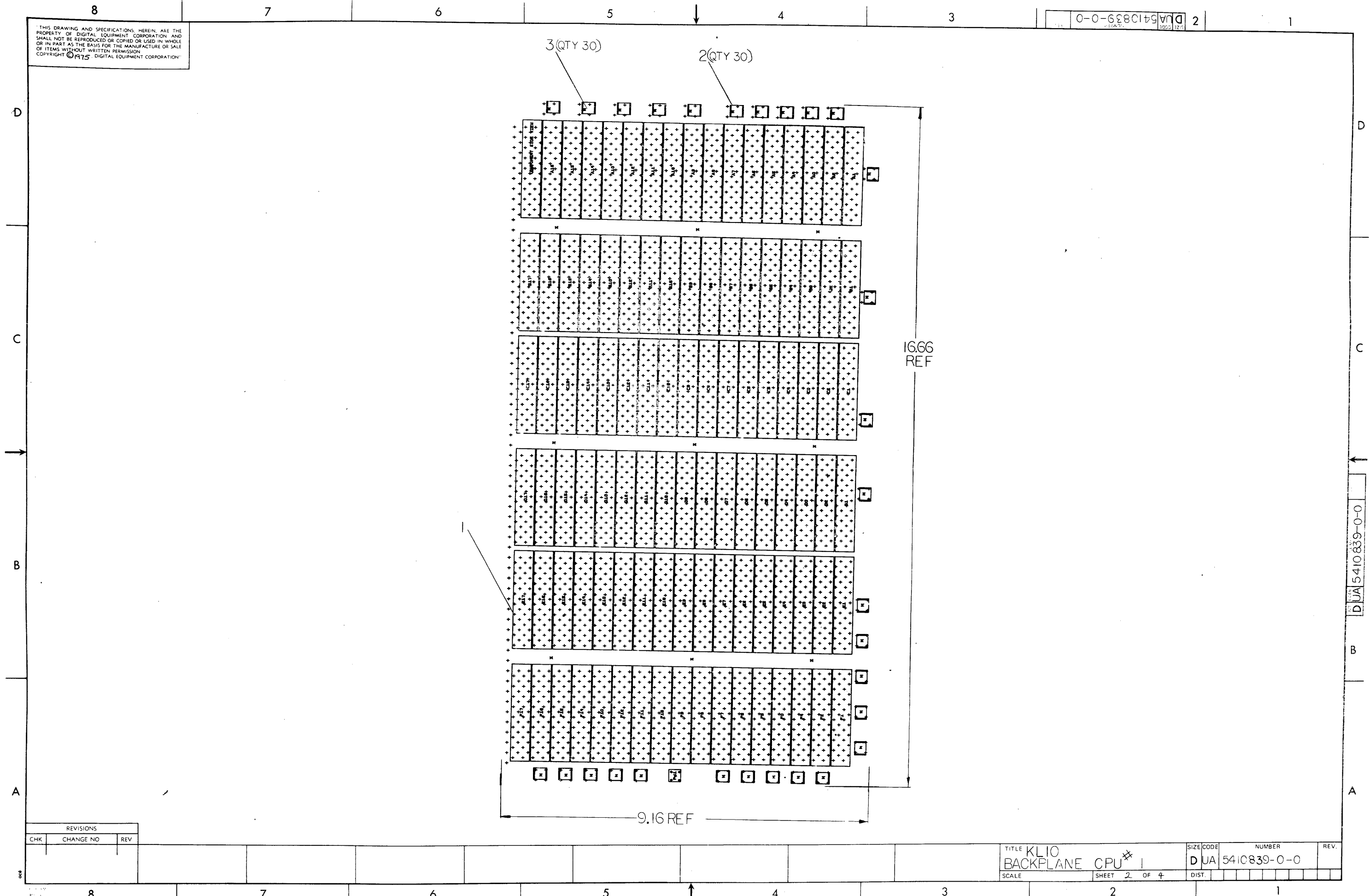
SEMICONDUCTOR CONVERSION CHART

PARTS LIST

QTY	REF. DESIGNATION	DESCRIPTION	PART NO.	ITEM NO.
-----	------------------	-------------	----------	----------



THIS DRAWING AND SPECIFICATIONS HEREIN ARE THE PROPERTY OF DIGITAL EQUIPMENT CORPORATION AND SHALL NOT BE REPRODUCED OR COPIED OR USED IN WHOLE OR IN PART AS THE BASIS FOR THE MANUFACTURE OR SALE OF ITEMS WITHOUT WRITTEN PERMISSION. COPYRIGHT © 1975 DIGITAL EQUIPMENT CORPORATION.

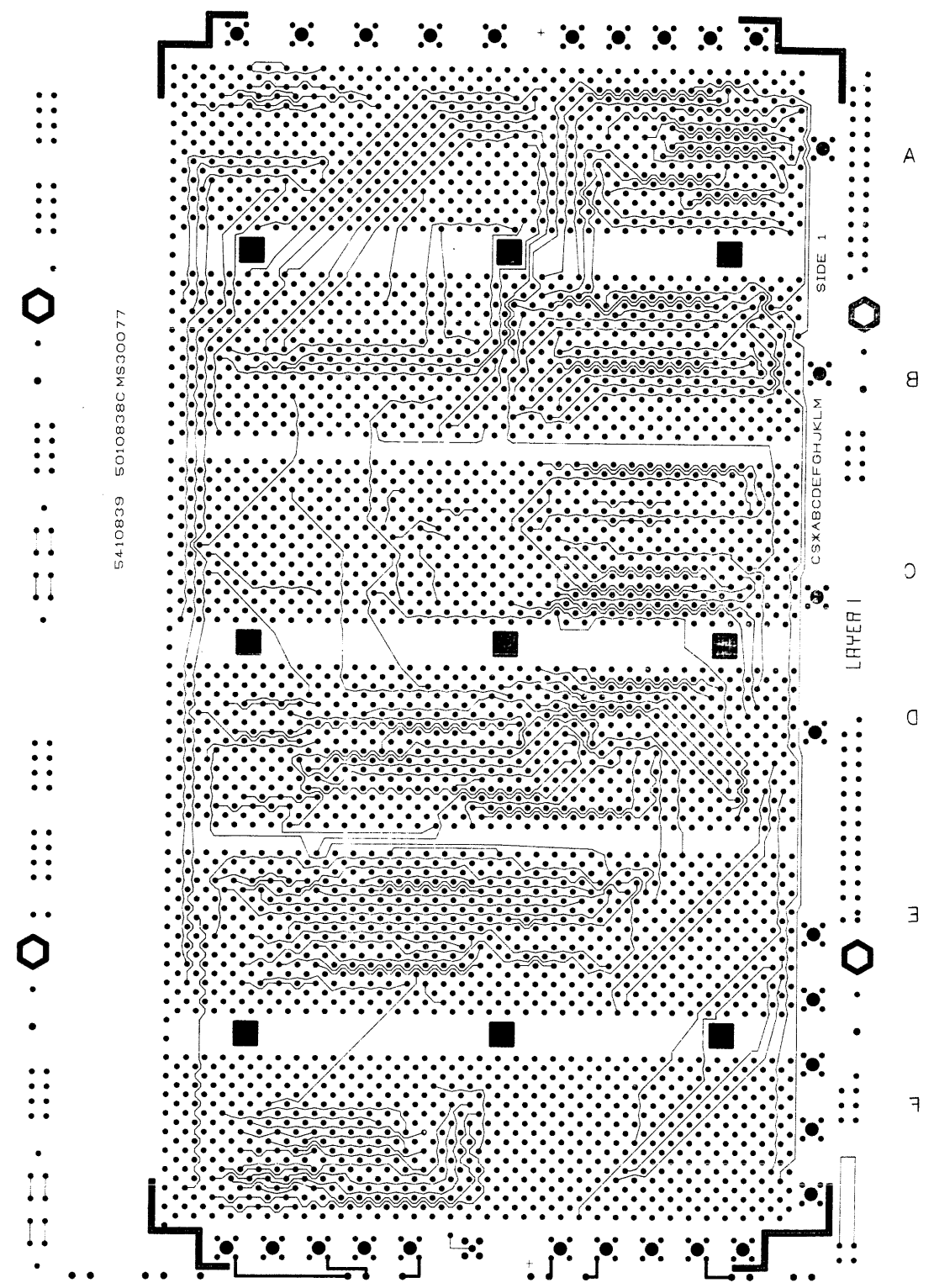


REVISIONS		
CHK	CHANGE NO	REV

THIS DRAWING AND SPECIFICATIONS HEREIN ARE THE PROPERTY OF DIGITAL EQUIPMENT CORPORATION AND SHALL NOT BE REPRODUCED OR COPIED OR USED IN WHOLE OR IN PART AS THE BASIS FOR THE MANUFACTURE OR SALE OF ITEMS WITHOUT WRITTEN PERMISSION. COPYRIGHT © 1975 DIGITAL EQUIPMENT CORPORATION.

D  
C  
B  
A

D  
C  
B  
A



5410839 5010838C MS30077

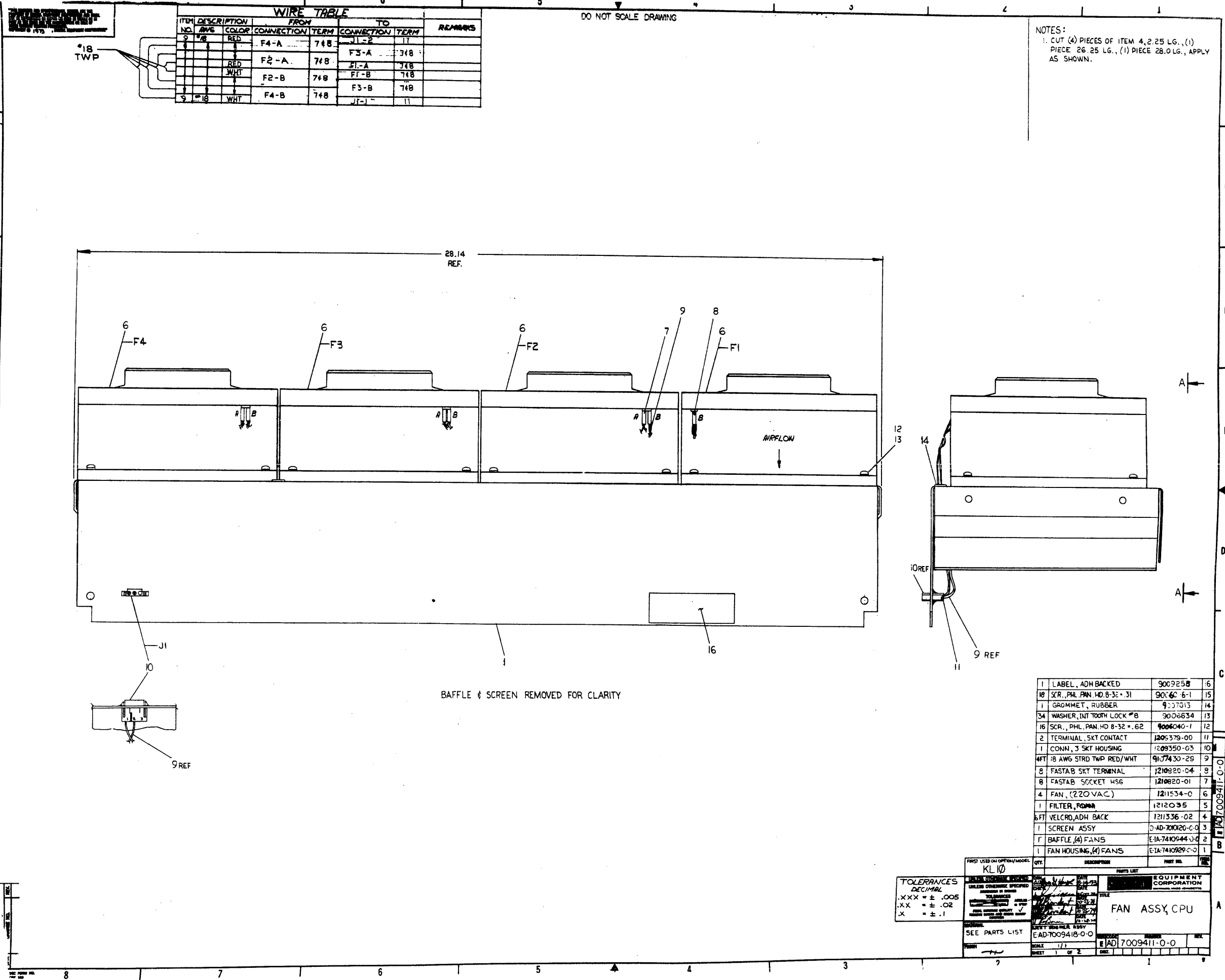
SIDE 1  
LAYER 1  
C S X A B C D E F G H J K L M

REVISIONS		
CHK	CHANGE NO	REV.

TITLE KLI BACKPLANE CPU #1		SIZE CODE DUA	NUMBER 5410839-0-0	REV.
SCALE 1/1	SHEET 5 OF 4	DIST.		

(LAYER 1)





WIRE TABLE						
ITEM NO.	DESCRIPTION	FROM	TO	REMARKS		
1	18 AWG	RED	F4-A	748	J1-2	
2	18 AWG	RED	F2-A	748	F3-A	
3	18 AWG	RED	F2-B	748	J1-A	
4	18 AWG	WHT	F4-B	748	F1-B	
5	18 AWG	WHT	F4-B	748	F3-B	
6	18 AWG	WHT	F4-B	748	J1-1	

DO NOT SCALE DRAWING

NOTES:  
 1. CUT (4) PIECES OF ITEM 4, 2.25 LG., (1) PIECE 26.25 LG., (1) PIECE 28.0 LG., APPLY AS SHOWN.

BAFFLE & SCREEN REMOVED FOR CLARITY

QTY.	DESCRIPTION	PART NO.	REF.
1	LABEL, ADH BACKED	9009258	6
10	SCR., PHL. PAN. HD. 8-32 x .31	900606-1	15
1	GROMMET, RUBBER	9007013	14
34	WASHER, INT TOOTH LOCK #8	9006634	13
16	SCR., PHL. PAN. HD. 8-32 x .62	9006040-1	12
2	TERMINAL SKT CONTACT	1205379-00	11
1	CONN, 3 SKT HOUSING	1209350-03	10
4FT	18 AWG STRD TWP RED/WHT	9107430-29	9
8	FASTAB SKT TERMINAL	1210820-04	8
8	FASTAB SOCKET HSG	1210820-01	7
4	FAN, (220 VAC)	1211534-0	6
1	FILTER, FOMOR	1212035	5
6 FT	VELCRO, ADH BACK	1211336-02	4
1	SCREEN ASSY	D-AD-7009418-0-0	3
1	BAFFLE (4) FANS	E-1A-7410944-3-0	2
1	FAN HOUSING (4) FANS	E-1A-7410929-0-0	1

TOLERANCES DECIMAL  
 .XXX ± .005  
 .XX ± .02  
 X ± .1

FIRST USED ON OPTION/MODEL: KL 10

UNLESS OTHERWISE SPECIFIED, DIMENSIONS IN INCHES

SEE PARTS LIST

EAD-7009418-0-0

SCALE: 1/1

SHEET: 1 OF 2

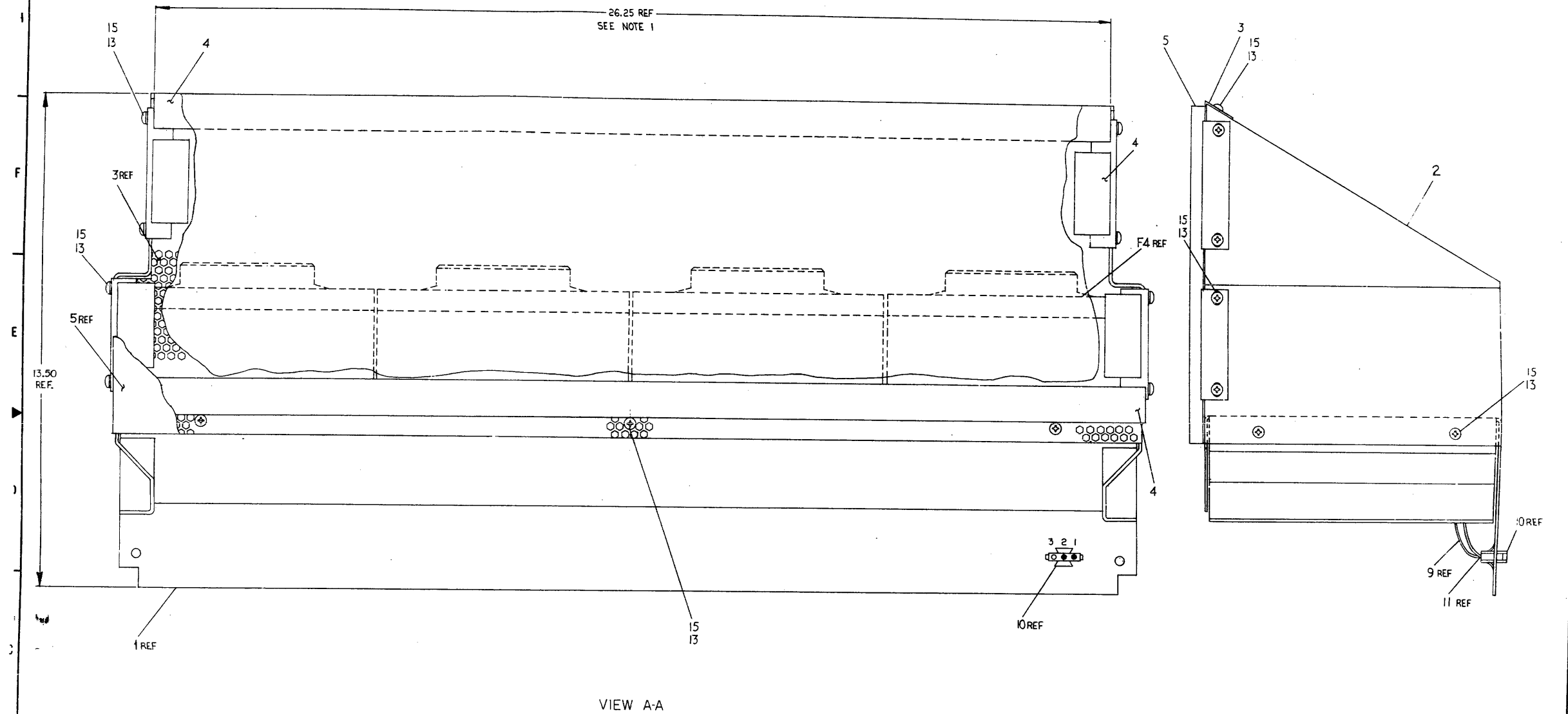
EQUIPMENT CORPORATION

FAN ASSY, CPU

AD 7009411-0-0

DIGITAL EQUIP. CORP.

DO NOT SCALE DRAWING



VIEW A-A

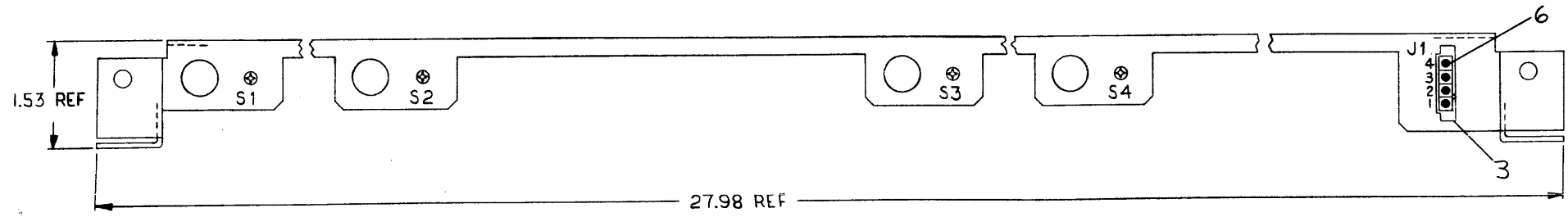
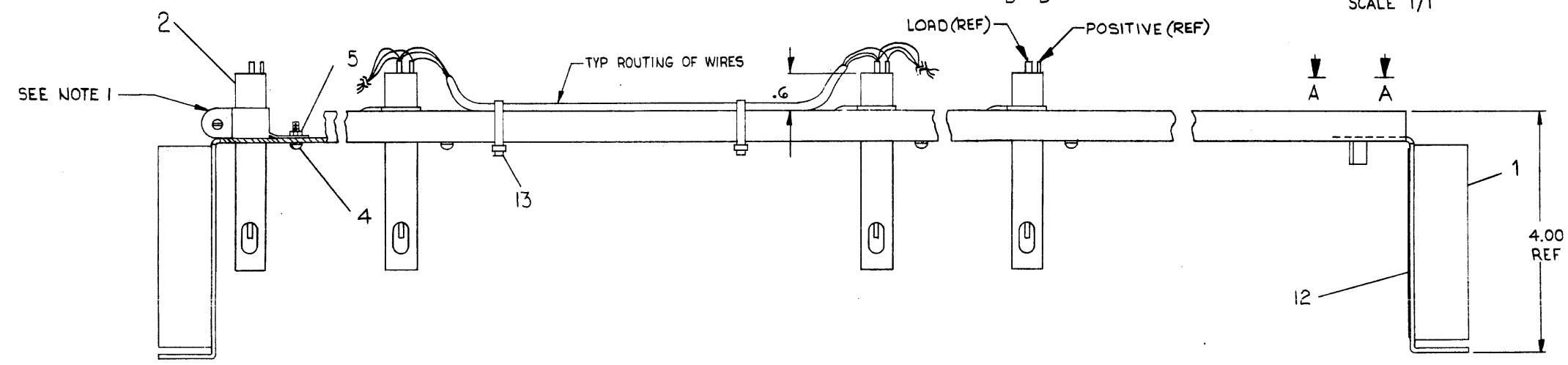
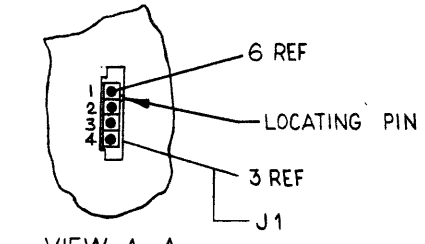
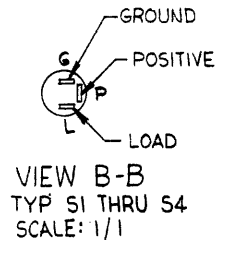
FIRST LISTED OR OPTION MODEL		QTY.	DESCRIPTION	PART NO.
KL10			FAN ASSY, CPU	
UNLESS OTHERWISE SPECIFIED DIMENSIONS IN INCHES		DATE	DATE	
TOLERANCES		CHK'D	DATE	
DECIMALS	ANGLES			
.005	14° 30'			
FINISHES AND BREAK PLACES		DATE	DATE	
CONFORM TO SURFACE QUALITY				
MATERIAL		NEXT HIGHER ASSY.		NUMBER
SEE PARTS LIST		E AD		7009411-0-0
FINISH		SCALE	1/1	
		SHEET	2 OF 2	

7009411-0-0

"THIS DRAWING AND SPECIFICATIONS HEREIN ARE THE PROPERTY OF DIGITAL EQUIPMENT CORPORATION AND SHALL NOT BE REPRODUCED OR COPIED OR USED IN WHOLE OR IN PART AS THE BASIS FOR THE MANUFACTURE OR SALE OF ITEMS WITHOUT WRITTEN PERMISSION. COPYRIGHT © 1974, DIGITAL EQUIPMENT CORPORATION"

WIRE TABLE						
ITEM NO	DESCRIPTION	FROM	TO			
	AWG	COLOR	CONN	TERM	CONN	TERM
9	22	BLK	S1-G	10 & 11	S2-G	10 & 11
9		BLK	S3-G	10 & 11	S4-G	10 & 11
9		BLK	J1-2	6	J1-1	6
8		ORN	S1-P	10 & 11	S2-P	10 & 11
8		ORN	S3-P	10 & 11	S4-P	10 & 11
8		ORN	J1-3	6	S2-L	10 & 11
7		YEL	S1-L	10 & 11	S2-L	10 & 11
7		YEL	S3-L	10 & 11	S4-L	10 & 11
7	22	YEL	J1-4	6		

NOTES:  
1. SWITCH MOUNTING HARDWARE SUPPLIED WITH VANE SWITCH.



QTY.	DESCRIPTION	PART NO.	ITEM NO.
8	CABLE TIES	9007032	13
1	LABEL ADHESIVE BACK	9009255	12
12	SHRINKABLE TUBING	9107305-02	11
12	TERMINAL QUICK CONNECT	9009137-01	10
A/R	WIRE, 22 AWG STRD (BLK)	9107350-00	9
A/R	WIRE, 22 AWG STRD (ORN)	9107350-33	8
A/R	WIRE, 22 AWG STRD (YEL)	9107350-44	7
4	TERMINAL SKT CONTACT	1209379-06	6
4	NUT, KEP 6-32	9006560	5
4	SCR., PH. HD. PAN 6-32x.38	9006022-1	4
1	CONN SKT HSG 4 PIN	1209350-04	3
4	VANE SWITCH SPST N.O.	1211608	2
1	BRACKET, SWITCH	D-MD-7411372-0-0	1

FIRST USED ON OPTION/MODEL		KLIØ	
DIMENSIONAL TOLERANCE		DRN. DATE	3-19-74
DIMENSIONS ARE UNLESS OTHERWISE SPECIFIED		CHK'D. DATE	3/25/74
MILLIMETERS	INCHES	ENG. DATE	3/17/75
XXX ±0.10	XXX ±.008	PRD. ENG. DATE	
XX ±0.5	XX ±.02	PROD. DATE	
X ±2	X ±.1		
THIRD ANGLE PROJECTION	REMOVE BURRS AND BREAK SHARP CORNERS SURFACE QUALITY ✓	NEXT HIGHER ASSY.	
MATERIAL	SEE PARTS LIST	SIZE CODE	D AD 7009876-0-0
FINISH		SHEET	OF

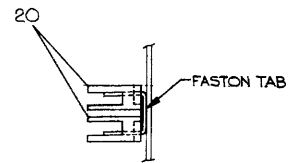
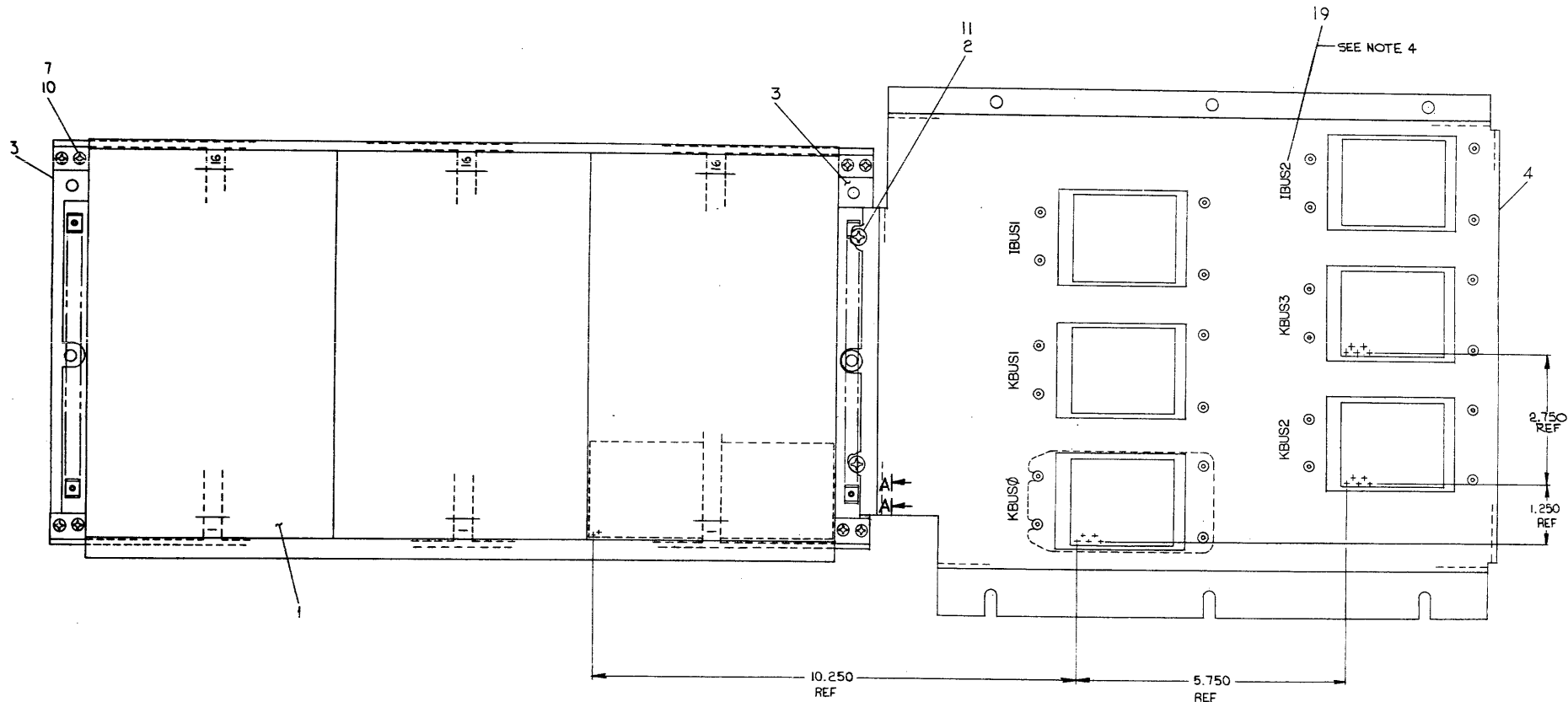
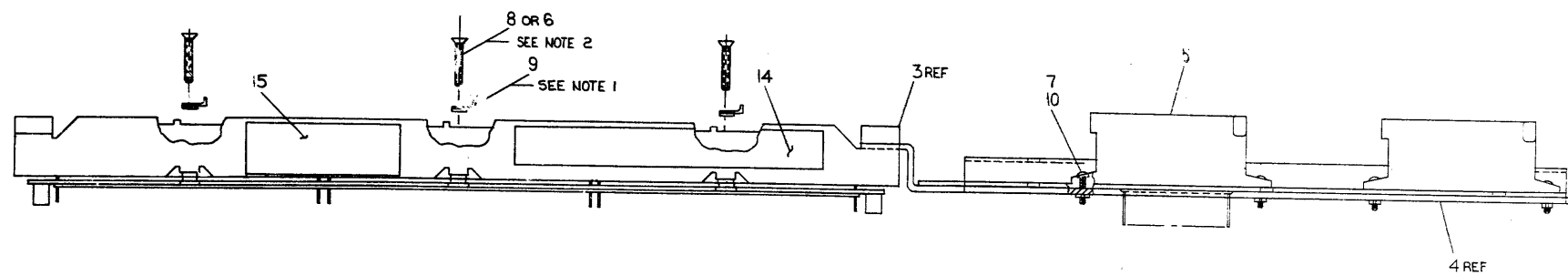
REV.	CHANGE NO.	DATE	BY
1			

REV. A  
NUMBER 7009876-0-0  
D AD

A

DIGITAL EQUIP. CORP.

DO NOT SCALE DRAWING



VIEW A-A  
SCALE 2/1  
TYP 6 PLACES  
SEE NOTE 5

- NOTES:
1. BREAK 2 POSITIONS FROM ITEM #9 CARD GUIDE BEFORE BEING ASSEMBLED TO THIS ASSY.
  2. AFTER WIRE WRAP REMOVE 8-32x.62 POZI DRIVE AND 8-32x.81 FIL HD SCR. ADD ITEM #9 AND REPLACE SCREWS WITH ITEM #6#8
  3. FOR N.C. WIRE WRAPPING, USE PEELET 9606103-0-0
  4. LOCATE DECALS (ITEM #19) APPROXIMATELY AS SHOWN NEAR SIDE AND FAR SIDE
  5. INSTALL ITEM #20 (SHIELD) TO FASTON TABS AS SHOWN IN VIEW A-A TO 6 FASTON TABS ON BOTTOM EDGE OF BOARD ONLY

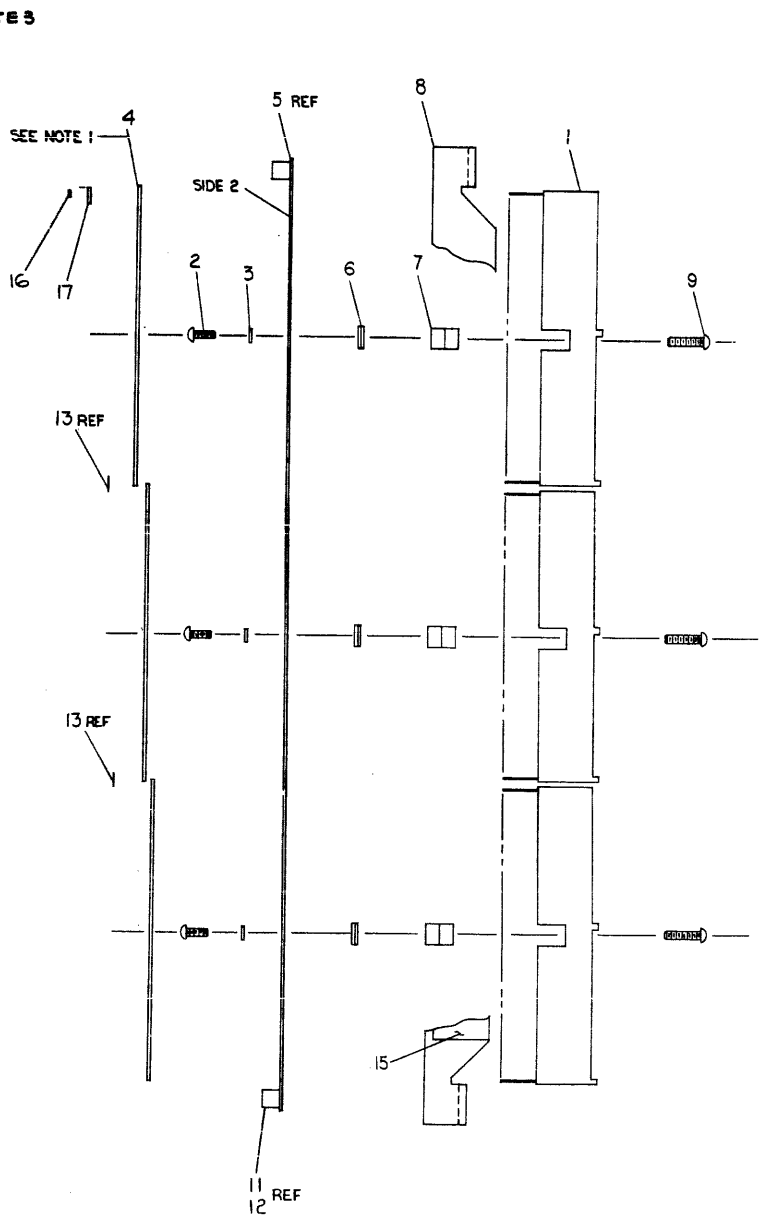
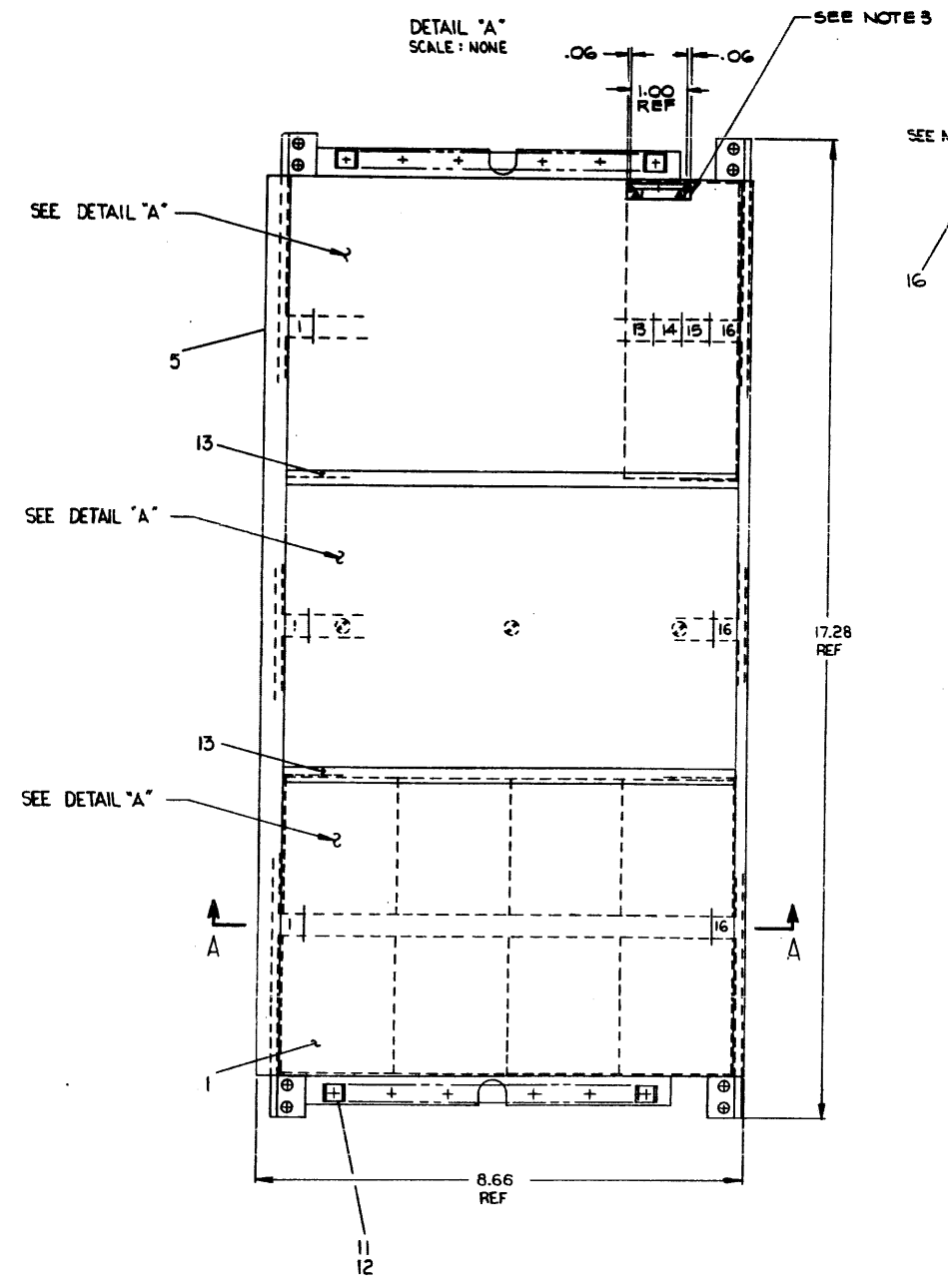
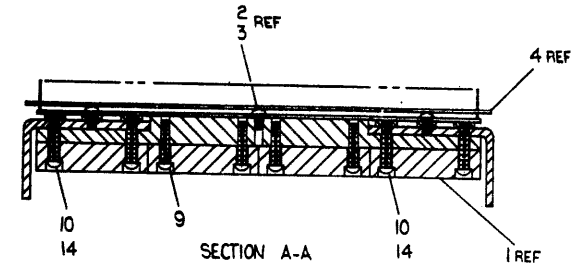
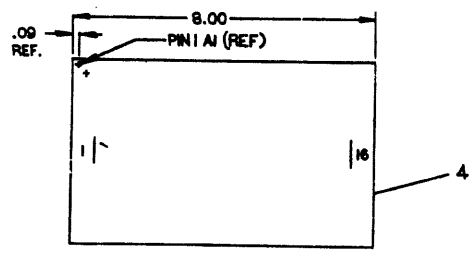
QTY.	DESCRIPTION	PART NO.	REV. NO.
12	SHIELD WIRE	9009526	20
2	DECAL I/O	A-DC-7413230-0-C	19
A/R	WIRE, INS TWP #30 AWG (BLK/WH)	9107720-09	18
A/R	WIRE, INS SOLID #30 AWG (YEL)	9105740-66	17
8	SCR, PHL PAN HD 8-32x.44	9009038-1	16
1	LABEL, ADHESIVE BACK	9009255	15
1	DECAL, LOGIC ASSY REVISION	A-DC-741881-0-0	14
REF	AWT REVISION STATUS	A-WF-7010700-0	13
REF	WIRE LIST	K-ML-K-10-0-PPH	12
2	WASHER, LOCK INT. TOOTH #10	9009635	11
24	SCR, PHL PAN HD 8-32x.50	9006039-1	10
12	CARD GUIDE	1210698	9
12	SCR, PHL FLAT HD 8-32x.81	9009070-2	8
40	WASHER, LOCK INT. TOOTH #8	9006634	7
12	SCR, PHL #5 FLT. HD 8-32x1.03	9009665-2	6
6	I/O CONN GNDPLANE ASSY.	C-40-7008711-0-0	5
1	PANEL, I/O CONN	E-1A-741986-0-0	4
2	BAR, BACK PLANE TOP & BOT	CMD-741939-0-0	3
2	SCR, PHL PAN HD 10-32x.44	9006072-1	2
1	BACK PLANE ASSY	E-4D-7008432-0-0	1

FIRST USED ON OPTION MODEL		PARTS LIST	
UNLESS OTHERWISE SPECIFIED DIMENSION IN INCHES TOLERANCES	DATE 7-10-74	DATE 7-10-74	DATE 7-10-74
DECIMALS .0001	ANGLES 10' 30"	digital EQUIPMENT CORPORATION	
JACK - .001	X - .1	TITLE WIRED ASSY BUS ADAPTERS	
NEUTRE BARS AND BREAK MARK CORNER SURFACE QUALITY	DATE 7-10-74	DATE 7-10-74	
MATERIAL SEE PARTS LIST	NEXT HIGHER ASSY.	D-1A-KL10-0-0	
FINISH	SCALE 1/1	E AD 7010700-0-0	
SHEET 1 OF 1		DST.	

DIGITAL EQUIP. CORP.

DO NOT SCALE DRAWING

NOTES:  
 1. CUT ITEM #5 TO LENGTH GIVEN IN DETAIL "A" GROUND PLANE PROTECTION SHEETS OVERLAP AS SHOWN APPLY ITEM #13 TO SEAMS (2 PLACES)  
 2. FOR ASSY AID REFERS TO PROCESS SHEET A-SP-KL10-SPS  
 3. CUT ITEM #17 TO LENGTH SHOWN.  
 4. BEFORE ASSY OF ITEM #5 (BOARD) REWORK PER D-UR-5411810-0-0 REV 0



ITEM NO.	DESCRIPTION	PART NO.	ITEM NO.
1	STRIP INSULATOR	C-MD-74089-754	17
1	BUS STRIP	1205541	16
1	LABEL ADHESIVE BACK	9009255	15
12	WASHER LOCK #8	9006690	14
A/R	TAPE TRANSPARENT .25W	9009647	13
12	FASTON TAB	9007113	12
12	EYELET	9006732	11
12	SCR. PHL. FIL. HD #8-32 x .81	9009664-6	10
12	SCR. #8-32 x .62 POSI DRIVE	9009120-6	9
2	BRACKET LOGIC FRAME	D-1A-7412900-0-0	8
3	BAR, BACK PLANE	C-MD-7411940-0-0	7
6	SPACER, BACK PLANE	C-MD-741399-4-0	6
1	ETCH CIRCUIT BOARD	5011309	5
3	GND PLANE PROTECTION SHT	D-1A-5009856-0-0	4
9	WASHER LOCK INT TOOTH #6	9006633	3
9	SCR. SLOTTED BIND. HD #8-32 x .31	9006021-4	2
12	288 PIN CONN. BLOCK (1863)	E-SC-1210258-0-0	1

FIRST USED ON OPTION/MODEL		QTY	DESCRIPTION	PART NO.	ITEM NO.
KL10					
UNLESS OTHERWISE SPECIFIED DIMENSIONS IN INCHES					
TOLERANCES					
DECIMALS	ANGLES				
.005 - .010	±.005				
.010 - .020	±.005				
.020 - .030	±.005				
.030 - .040	±.005				
REMOVE BURRS AND BREAK SHARP CORNERS SURFACE QUALITY					
MATERIAL		NEXT HIGHER ASSY.			
SEE PARTS LIST		E-AD-7010700-0-0		SIZE/COOR.	NUMBER
FINISH		SCALE 1/1		E AD	7009432-0-0
		SHEET 1/1		DIST	REV. A



"THIS DRAWING AND SPECIFICATIONS HEREIN ARE THE PROPERTY OF DIGITAL EQUIPMENT CORPORATION AND SHALL NOT BE REPRODUCED OR COPIED OR USED IN WHOLE OR IN PART AS THE BASIS FOR THE MANUFACTURE OR SALE OF ITEMS WITHOUT WRITTEN PERMISSION.  
 COPYRIGHT © 1974 DIGITAL EQUIPMENT CORPORATION"

**NOTES:**

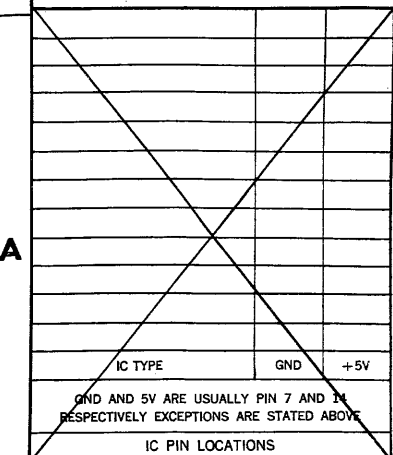
1 FOR DRAWING DIRECTORY REFER TO B-DD-5411310-0

RRE L/R =

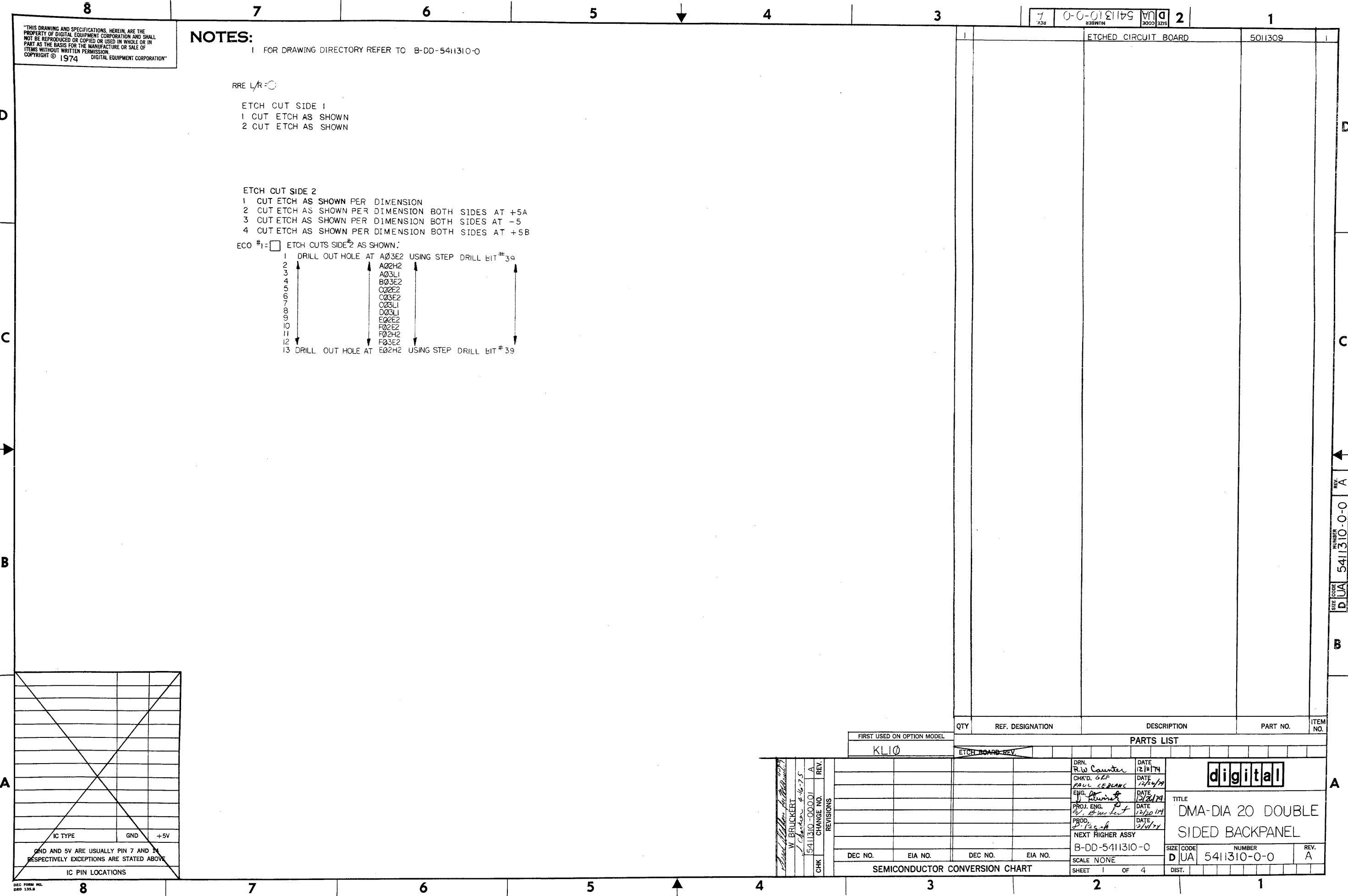
ETCH CUT SIDE 1  
 1 CUT ETCH AS SHOWN  
 2 CUT ETCH AS SHOWN

ETCH CUT SIDE 2  
 1 CUT ETCH AS SHOWN PER DIMENSION  
 2 CUT ETCH AS SHOWN PER DIMENSION BOTH SIDES AT +5A  
 3 CUT ETCH AS SHOWN PER DIMENSION BOTH SIDES AT -5  
 4 CUT ETCH AS SHOWN PER DIMENSION BOTH SIDES AT +5B

ECO #1 =  ETCH CUTS SIDE 2 AS SHOWN:  
 1 DRILL OUT HOLE AT A03E2 USING STEP DRILL BIT #39  
 2 A02H2  
 3 A03L1  
 4 B03E2  
 5 C02E2  
 6 C03E2  
 7 C03L1  
 8 D03L1  
 9 E02E2  
 10 F02E2  
 11 F02H2  
 12 F03E2  
 13 DRILL OUT HOLE AT E02H2 USING STEP DRILL BIT #39



DEC FORM NO. DED 135.6



QTY	REF. DESIGNATION	DESCRIPTION	PART NO.	ITEM NO.

FIRST USED ON OPTION MODEL		PARTS LIST	
KLI0		ETCH BOARD-REV.	

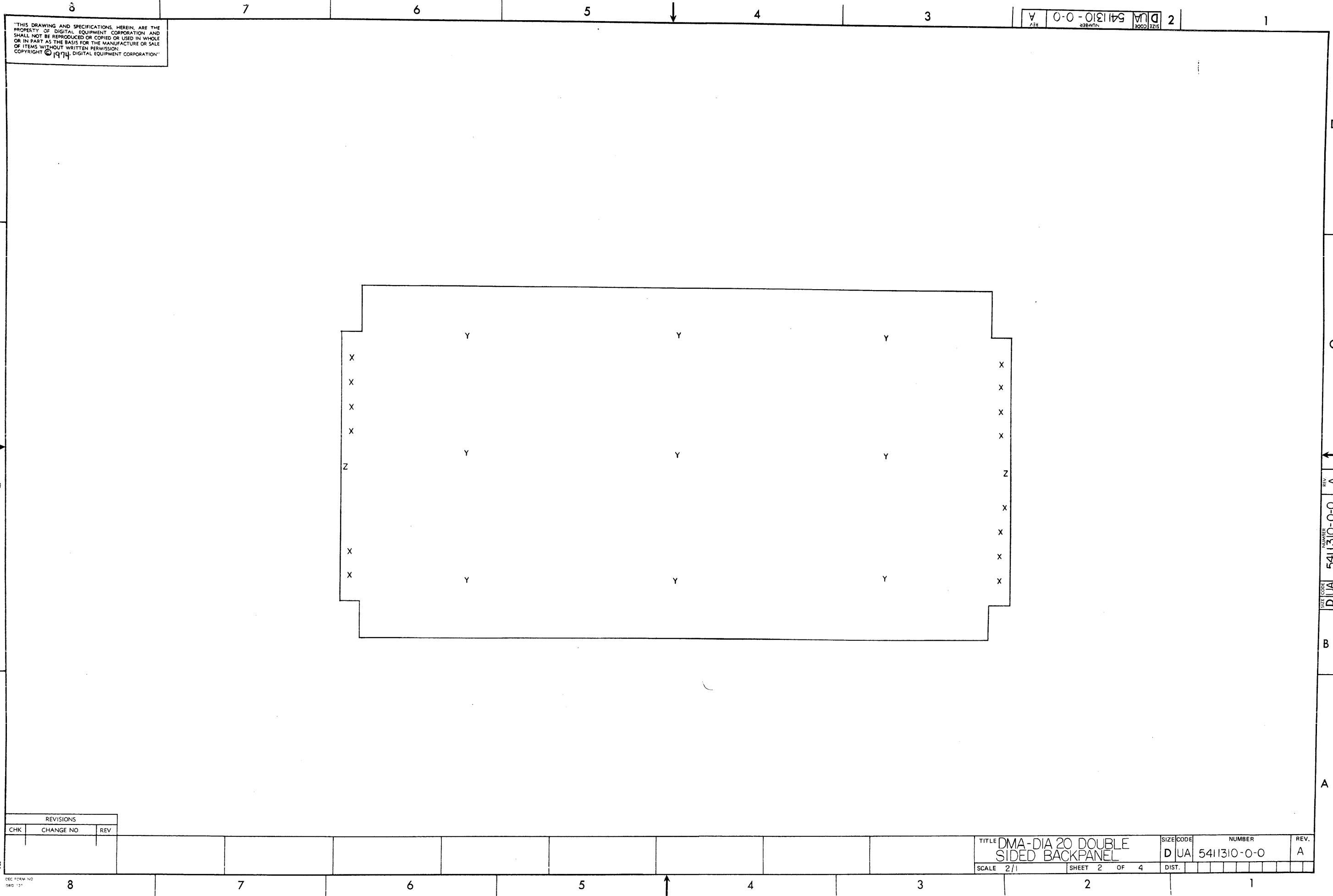
DRN. R.W. Counter	DATE 12/14/74	<b>digital</b>
CHK'D. GEP	DATE 12/24/74	
ENG. J. ...	DATE 12/24/74	TITLE DMA-DIA 20 DOUBLE SIDED BACKPANEL
PROJ. ENG. ...	DATE 12/20/74	
PROD. ...	DATE 12/11/74	SIZE CODE D UA
NEXT HIGHER ASSY B-DD-5411310-0		NUMBER 5411310-0-0
SCALE NONE	SHEET 1 OF 4	REV. A

DEC NO.	EIA NO.	DEC NO.	EIA NO.

SEMICONDUCTOR CONVERSION CHART

SIZE CODE D|UA NUMBER 5411310-0-0 REV. A



"THIS DRAWING AND SPECIFICATIONS, HEREIN, ARE THE PROPERTY OF DIGITAL EQUIPMENT CORPORATION AND SHALL NOT BE REPRODUCED OR COPIED OR USED IN WHOLE OR IN PART AS THE BASIS FOR THE MANUFACTURE OR SALE OF ITEMS WITHOUT WRITTEN PERMISSION. COPYRIGHT © 1974 DIGITAL EQUIPMENT CORPORATION"

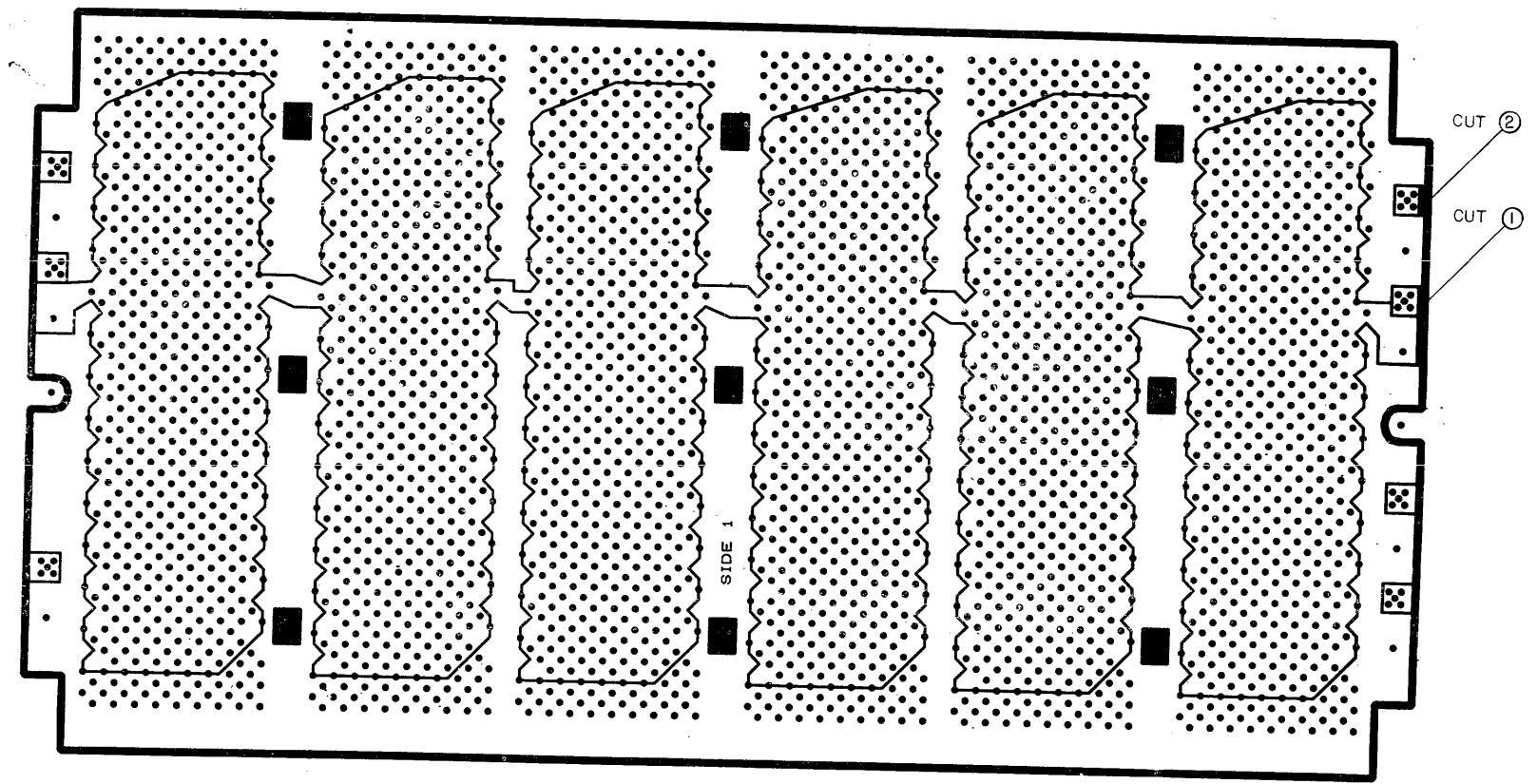
REV. A  
 NUMBER 5411310-0-0  
 SIZE CODE DUA 2

REVISIONS		
CHK	CHANGE NO.	REV.

TITLE DMA-DIA 20 DOUBLE SIDED BACKPANEL  
 SIZE CODE DUA NUMBER 5411310-0-0 REV. A  
 SCALE 2/1 SHEET 2 OF 4 DIST.

THIS DRAWING AND SPECIFICATIONS HEREIN ARE THE PROPERTY OF DIGITAL EQUIPMENT CORPORATION AND SHALL NOT BE REPRODUCED OR COPIED OR USED IN WHOLE OR IN PART AS THE BASIS FOR THE MANUFACTURE OR SALE OF ITEMS WITHOUT WRITTEN PERMISSION. COPYRIGHT © 1974 DIGITAL EQUIPMENT CORPORATION.

541310-0-0 DUA 2



D  
C  
B  
A

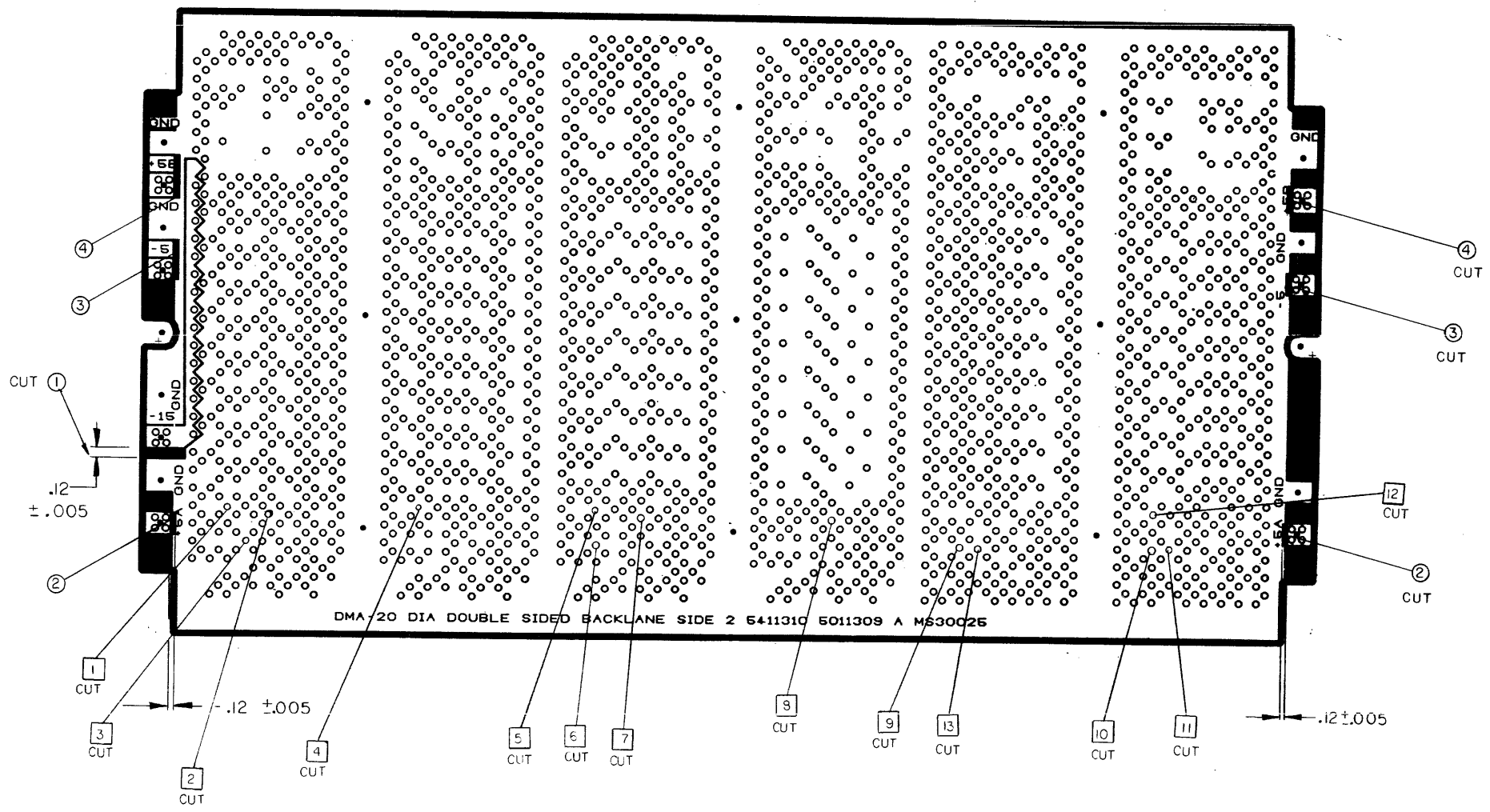
D  
C  
B  
A

REVISIONS		
CHK	CHANGE NO	REV

TITLE DMA-DIA 20 DOUBLE SIDED BACKPANEL  
 SCALE 2/1 SHEET 3 OF 4 DIST.      NUMBER 541310-0-0 REV. A

8 7 6 5 4 3 2 1

THIS DRAWING AND SPECIFICATIONS, HEREIN, ARE THE PROPERTY OF DIGITAL EQUIPMENT CORPORATION AND SHALL NOT BE REPRODUCED OR COPIED OR USED IN WHOLE OR IN PART AS THE BASIS FOR THE MANUFACTURE OR SALE OF ITEMS WITHOUT WRITTEN PERMISSION. COPYRIGHT © 1977 DIGITAL EQUIPMENT CORPORATION.



DMA 20 DIA DOUBLE SIDED BACKPLANE SIDE 2 5411310 5011309 A MS30025

REVISIONS		
CHK	CHANGE NO.	REV.

TITLE	DMA-DIA 20 DOUBLE SIDED BACKPANEL	SIZE CODE	D U A	NUMBER	5411310-0-0	REV.	A
SCALE	2/1	SHEET	4 OF 4	DIST.			

This drawing and specifications, herein, are the property of Digital Equipment Corporation and shall not be reproduced or copied or used in whole or in part as the basis for the manufacture or sale of items without written permission.

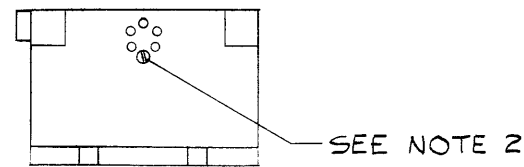
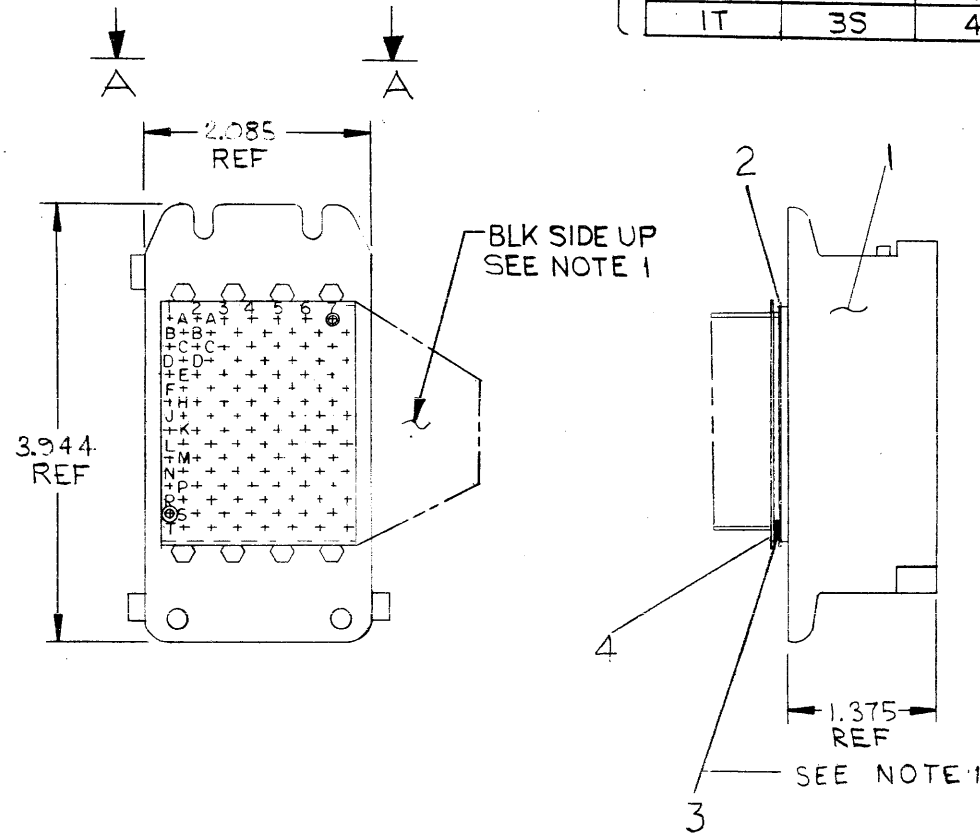
### GND PIN CHART

PIN #	PIN #	PIN #	PIN #	PIN #
1B	3A	4B	6A	7B
1D	3C	4D	6C	7F
1F	3E	4F	6E	7L
1J	3H	4J	6H	7R
1L	3K	4L	6K	
1N	3M	4N	6M	
1R	3P	4R	6P	
1T	3S	4T	6S	

### NOTES:

- REFER TO PROCESS SHEET A-SP-KI10-0-4 FOR ASSEMBLY.
- LOCATE POLARIZING STUD SUPPLIED WITH ITEM #1 (1210395-0) AS SHOWN IN VIEW A-A.

SEE NOTE 1



VIEW A-A

REF	AWT	REVISION	STATUS	A-WT-7006582-0	5
1			PROTECTION SHEET	5010122	4
3G			SOLDER PREFORMS	9008499	3
1			GND PLANE 1.781 X 2.043	D-IA-5009784-0-0	2
1			QUICK LATCH PANEL BLOCK ASSY	1210395-0	1

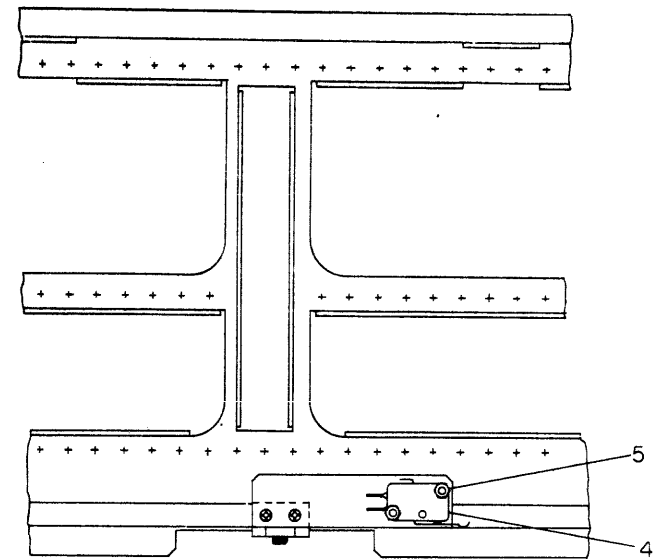
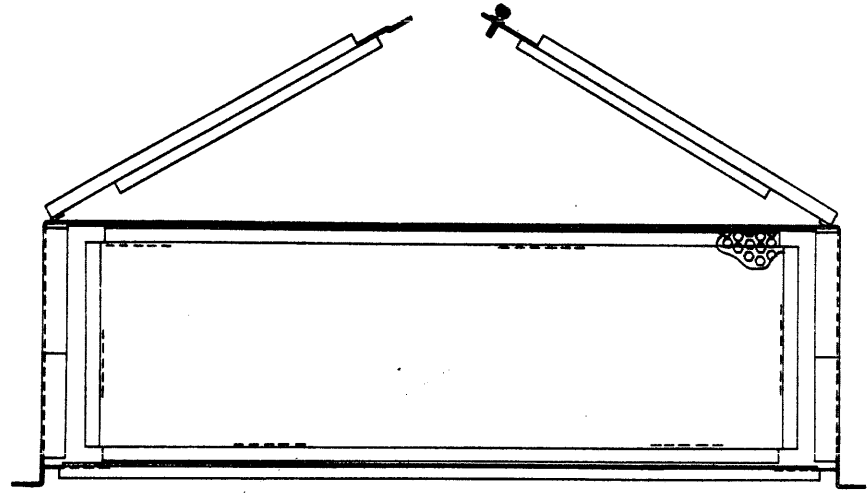
FIRST USED ON OPTION/MODEL	QTY.	DESCRIPTION	PART NO.	ITEM NO.
KI10				
PARTS LIST				
UNLESS OTHERWISE SPECIFIED DIMENSION IN INCHES. TOLERANCES		DRN. <i>Phil Reed</i> DATE <i>7/24/71</i>	<b>digital</b> EQUIPMENT CORPORATION MAYNARD, MASSACHUSETTS	
DECIMALS	ANGLES	CHK'D. <i>G. S. S.</i> DATE <i>7/27/71</i>		
.XXX = .005	±0° 30'	ENG. <i>A. J. P. / Kent</i> DATE <i>12-9-71</i>		
.XX = .02		PROJ. ENG. <i>Allen Kent</i> DATE <i>24 Jan 72</i>		
REMOVE BURRS AND BREAK SHARP CORNERS SURFACE QUALITY ✓		PROD. <i>W. H. / H. S.</i> DATE <i>1/10/72</i>	TITLE I/O COIN GND PLANE ASSY	
MATERIAL	++	NEXT HIGHER ASSY.	E-AD-7006370	SIZE CODE NUMBER REV. C AD 7008711-0-0 B
FINISH	++	SCALE	SHEET OF	DIST.

REV.	CHANGE NO.	DATE	BY
A	K10-00021	5-12-72	KENT
B	K10-00049	25-1-72	Allen Kent
	A KENT	18 APR 75	Allen Kent

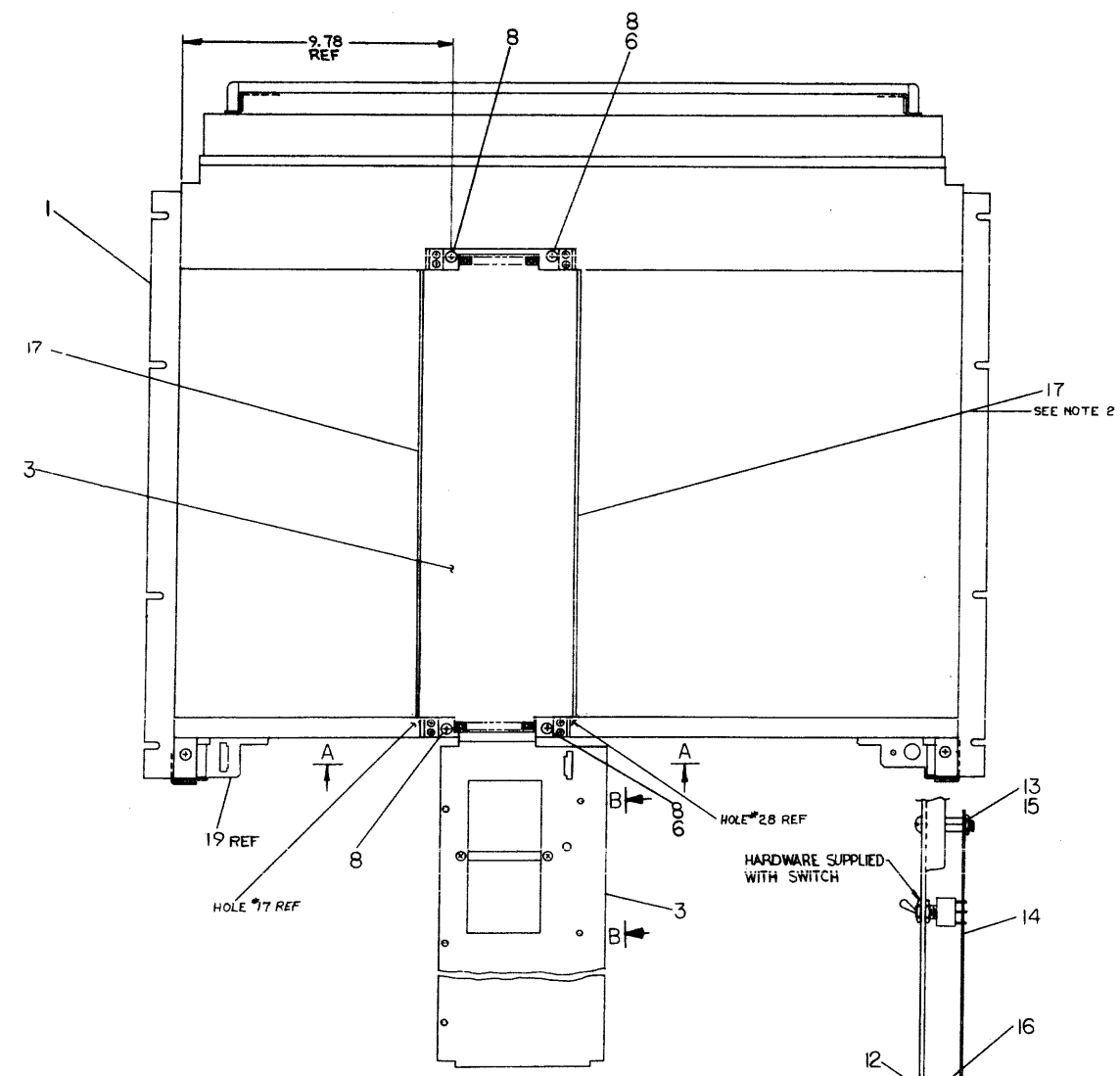
REV. B  
NUMBER C AD 7008711-0-0

ALL DIMENSIONS ARE IN INCHES UNLESS OTHERWISE SPECIFIED

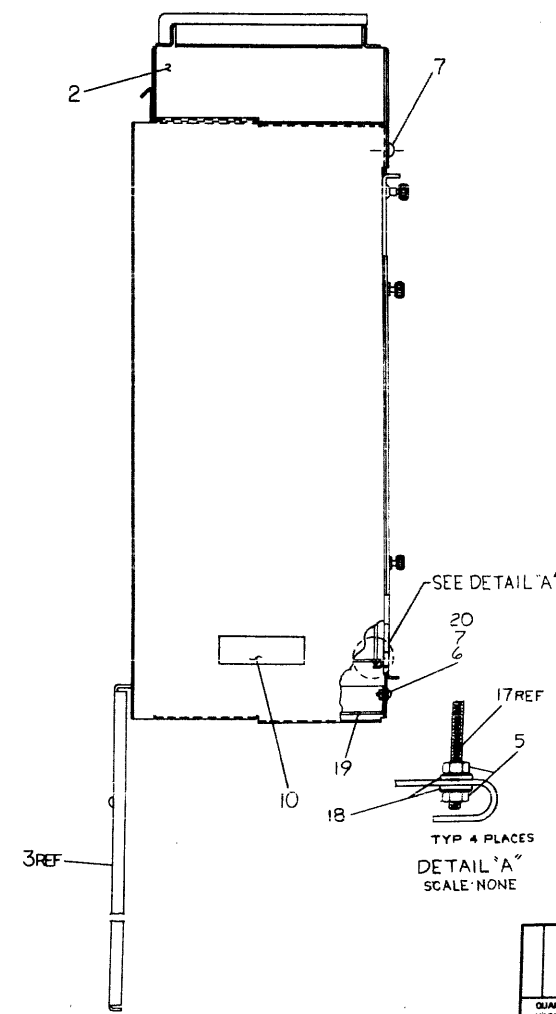
NOTES:  
 1. THIS ASSY ALSO DOCUMENTED AS KL10-PE  
 2. INSTALL ITEM'S #5, #17, AND #18 IN REAR HOLES #17 AND #28.



VIEW A-A  
SCALE: 1/1



VIEW B-B  
SCALE: 1/1



DETAIL 'A'  
SCALE: NONE

QTY	DESCRIPTION	QTY	DESCRIPTION	QTY	DESCRIPTION
2	WASHER, LOCK #10	9006635	20		
1	VANE SWITCH ASSY	7011520-00	19		
8	WASHER, FLAT	9006655	18		
2	ROD, SUPPORT	8 MD-7413992-00	17		
2	SPACER, HEX .62 LG	9006806	16		
2	NUT, KEPS #6	9008185	15		
1	SWITCH ASSY	0-1A-7010103-1-0	14		
2	WASHER, FLAT #6	9006653	13		
2	SCR, PHL PAN HD #6-32x1.00	9006028-1	12		
1	I/O BOX CLOCK DISTRIBUTION	E-1A-NR8559-0-0	11		
1	LABEL ADHESIVE BACK	9009255	10		
1	MODULE UTILIZATION	C-MU-KL10-DTE1	9		
4	SCR, PHL PAN HD #10-32x.75	9006075-1	8		
4	SCR, PHL PAN HD #10-32x.44	9006072-1	7		
4	NUT, KEPS #10-32	9006565	6		
10	NUT, KEPS 4-40	9006557	5		
1	SWITCH, MICRO	1210755	4		
1	WIRED ASSY DTE20	E-AD-7009430-0-0	3		
1	FAN ASSY	E-AD-7009894-0-0	2		
1	COOLING ASSY	E-1A-7009859-0-0	1		

QUANTITY & VARIATION	ORIGINATOR	DATE	REV
THIRD ANGLE PROJECTION	2-25-73	2-25-73	1
PREPARE DRAWING AND BREAK SHARP CORNERS	2-25-73	2-25-73	1
DO NOT SCALE DIMS	2-25-73	2-25-73	1
MATERIAL	SEE PARTS LIST	SCALE	1/1
FORM	1	OF	1

KL10-PE  
 7010101-0-0  
 1  
 1/1







THIS DRAWING AND SPECIFICATIONS, WHEN USED IN THE  
 PROPERTY OF DIGITAL EQUIPMENT CORPORATION AND SHALL  
 NOT BE REPRODUCED OR TRANSMITTED IN ANY FORM OR BY  
 ANY MEANS, ELECTRONIC OR MECHANICAL, INCLUDING  
 PHOTOCOPYING, RECORDING, OR BY ANY INFORMATION  
 STORAGE AND RETRIEVAL SYSTEM, WITHOUT THE WRITTEN  
 PERMISSION OF DIGITAL EQUIPMENT CORPORATION.

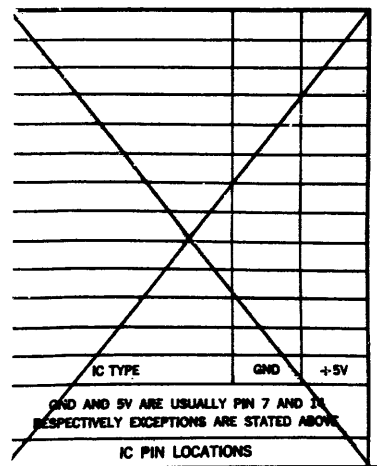
**NOTES:**

1. FOR DRAWING DIRECTORY, REFER TO: 8-00-5411308-0

ETCH CUTS SIDE #1 AS SHOWN  
 1-2. CUT ETCH (FOR CLEARANCE) AT 5V TAB TOP AND BOTTOM  
 3-4-5-6-7-8. CUT ETCH APPROXIMATELY 1/4 INCH TO LEFT OF CLEARANCE PADS.

ETCH CUTS SIDE #2 AS SHOWN  
 1-2. CUT ETCH (FOR CLEARANCE) AT 5V TAB TOP AND BOTTOM  
 3. CUT ETCH (FOR CLEARANCE) AT -5V TAB (BOTTOM)  
 4. DRILL OUT HOLE AT C64N1 USING DRILL BIT #39  
 5. DRILL OUT HOLE AT F05F1 USING DRILL BIT #39  
 6. DRILL OUT HOLE AT F05N1 USING DRILL BIT #39 } USE STEP DRILL

SPECIAL CUTTING SIDE #2  
 1. SHEAR OFF .125 FROM LEFT SIDE  
 2-3-4-5-6-7. SHIFT MOUNTING HOLES .125 TO RIGHT



1	ETCHED CIRCUIT BOARD	5011307	1
QTY	REF. DESIGNATION	DESCRIPTION	PART NO. ITEM NO.

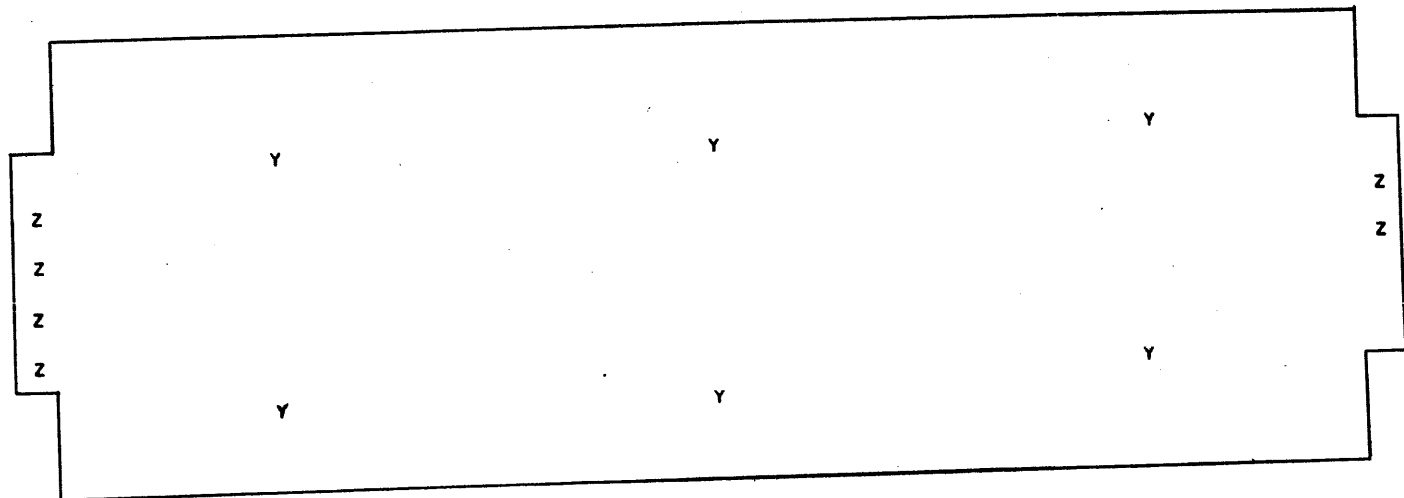
FIRST USED ON OPTION MODEL		PARTS LIST	
KL10		ETCH BOARD REV.	
DRN. <i>D.P. Olson</i>	DATE <i>2/25/75</i>	 TITLE DTE-20 DOUBLE SIDED BACKPLANE B-00-5411308-00 SIZE CODE NUMBER REV. D UA 5411308-0-0	
APP. <i>[Signature]</i>	DATE <i>2/27/75</i>		
ENG. <i>[Signature]</i>	DATE <i>2/27/75</i>		
PRG. <i>[Signature]</i>	DATE <i>2/27/75</i>		
CHK. <i>[Signature]</i>	DATE <i>2/27/75</i>		
DEC NO.	EIA NO.	DEC NO.	EIA NO.
SEMICONDUCTOR CONVERSION CHART		SCALE <i>1/1</i>	SHEET <i>1</i> OF <i>4</i>

D  
 C  
 B  
 A

DRAWING NUMBER  
 B UA 5411308-0-0

DL541308-0-0 2 1

THE DRAWING AND SPECIFICATIONS HEREIN ARE THE PROPERTY OF GENERAL ELECTRIC CORPORATION AND SHALL NOT BE REPRODUCED OR COPIED OR USED IN WHOLE OR IN PART AS THE BASIS FOR THE MANUFACTURE OR SALE OF ANY EQUIPMENT WITHOUT THE WRITTEN PERMISSION OF GENERAL ELECTRIC CORPORATION



D  
C  
B  
A

D  
C  
B  
A

DL541308-0-0

REVISIONS		
CHK	CHANGE NO.	REV.

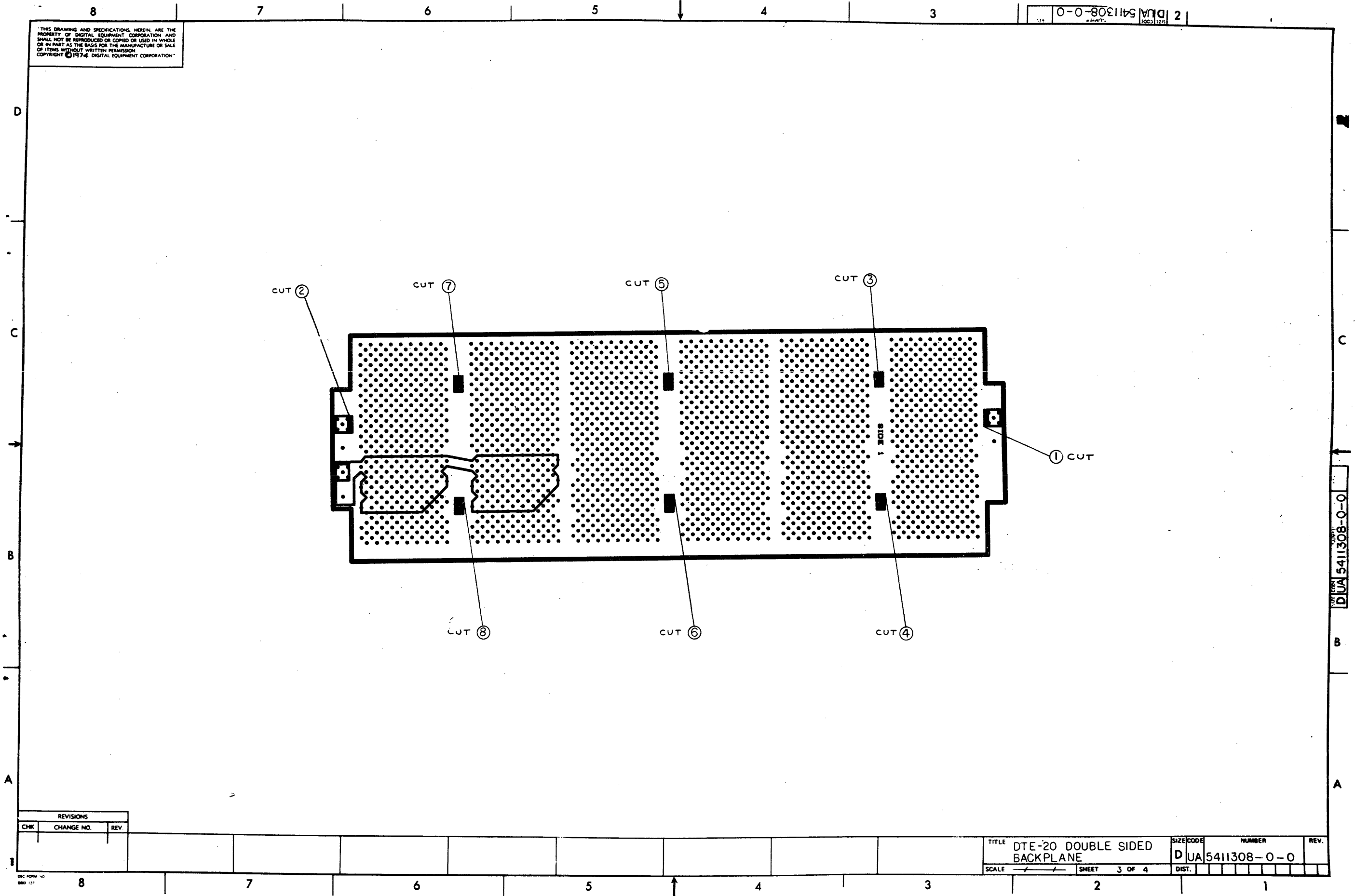
TITLE	DTE-20 DOUBLE SIDED BACKPLANE	SIZE CODE	DUA	NUMBER	541308-0-0	REV.	
SCALE	1:1	SHEET	2 OF 4	DIST.			

8 7 6 5 4 3 2 1

7 6 5 4 3 2 1

THIS DRAWING AND SPECIFICATIONS, HEREIN, ARE THE PROPERTY OF DIGITAL EQUIPMENT CORPORATION AND SHALL NOT BE REPRODUCED OR COPIED OR USED IN WHOLE OR IN PART AS THE BASIS FOR THE MANUFACTURE OR SALE OF ITEMS WITHOUT WRITTEN PERMISSION. COPYRIGHT © 1974, DIGITAL EQUIPMENT CORPORATION.

2 | DUA 5411308-0-0



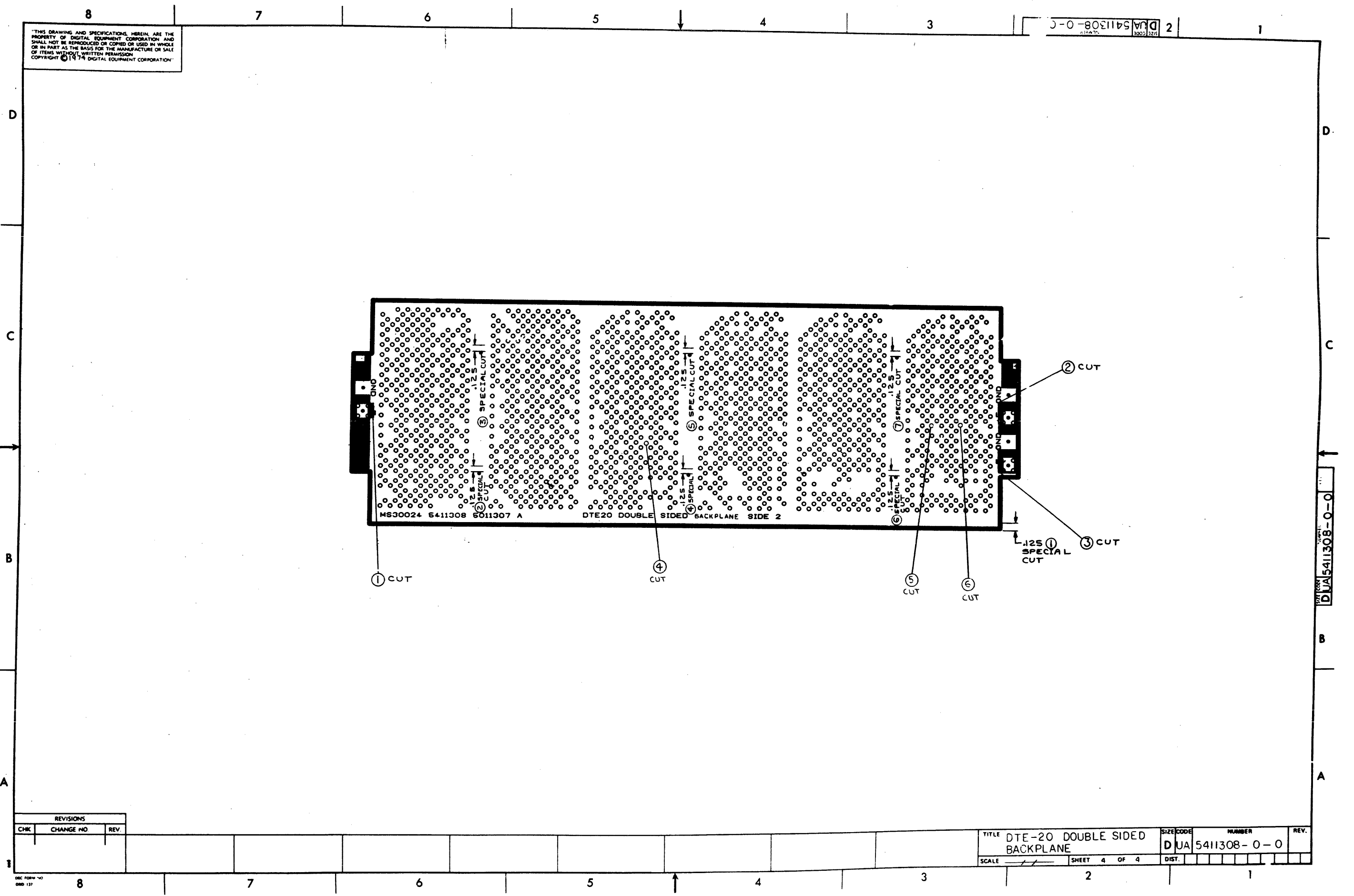
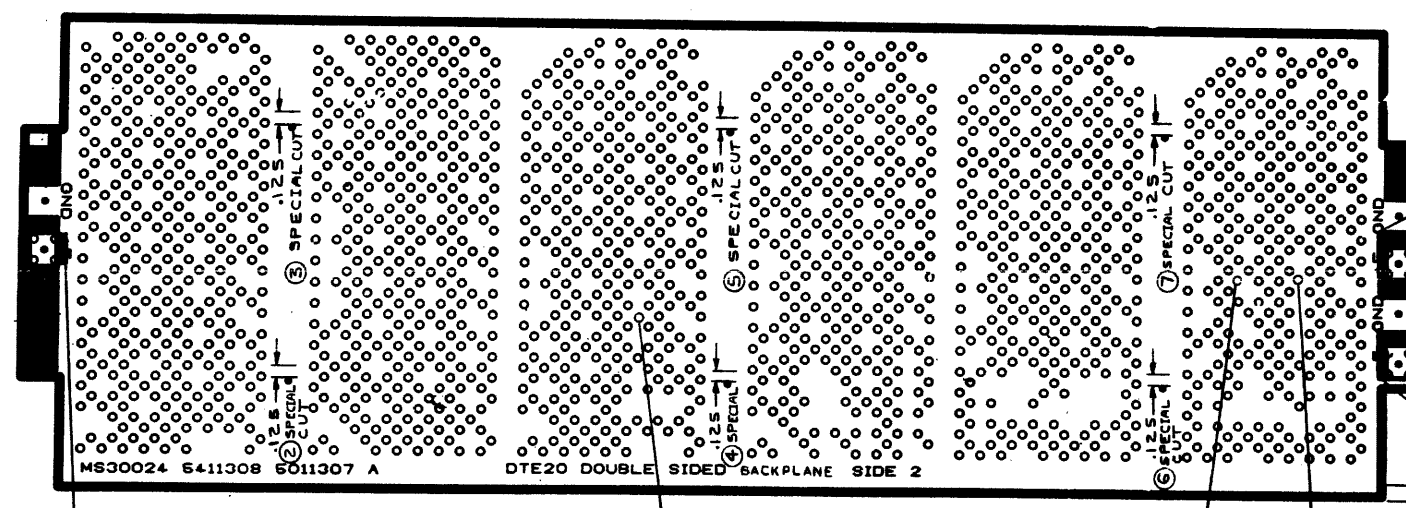
DUA 5411308-0-0

REVISIONS		
CHK	CHANGE NO.	REV

TITLE	DTE-20 DOUBLE SIDED BACKPLANE	SIZE CODE	D UA 5411308-0-0	NUMBER		REV.	
SCALE		SHEET	3 OF 4	DIST.			

DEC FORM NO 080 127

THIS DRAWING AND SPECIFICATIONS HEREIN ARE THE PROPERTY OF DIGITAL EQUIPMENT CORPORATION AND SHALL NOT BE REPRODUCED OR COPIED OR USED IN WHOLE OR IN PART AS THE BASIS FOR THE MANUFACTURE OR SALE OF ITEMS WITHOUT WRITTEN PERMISSION. COPYRIGHT © 1974 DIGITAL EQUIPMENT CORPORATION.



REVISIONS		
CHK	CHANGE NO	REV.

TITLE	DTE-20 DOUBLE SIDED BACKPLANE	SIZE CODE	DJA	NUMBER	5411308-0-0	REV.	
SCALE		SHEET	4	OF	4	DIST.	

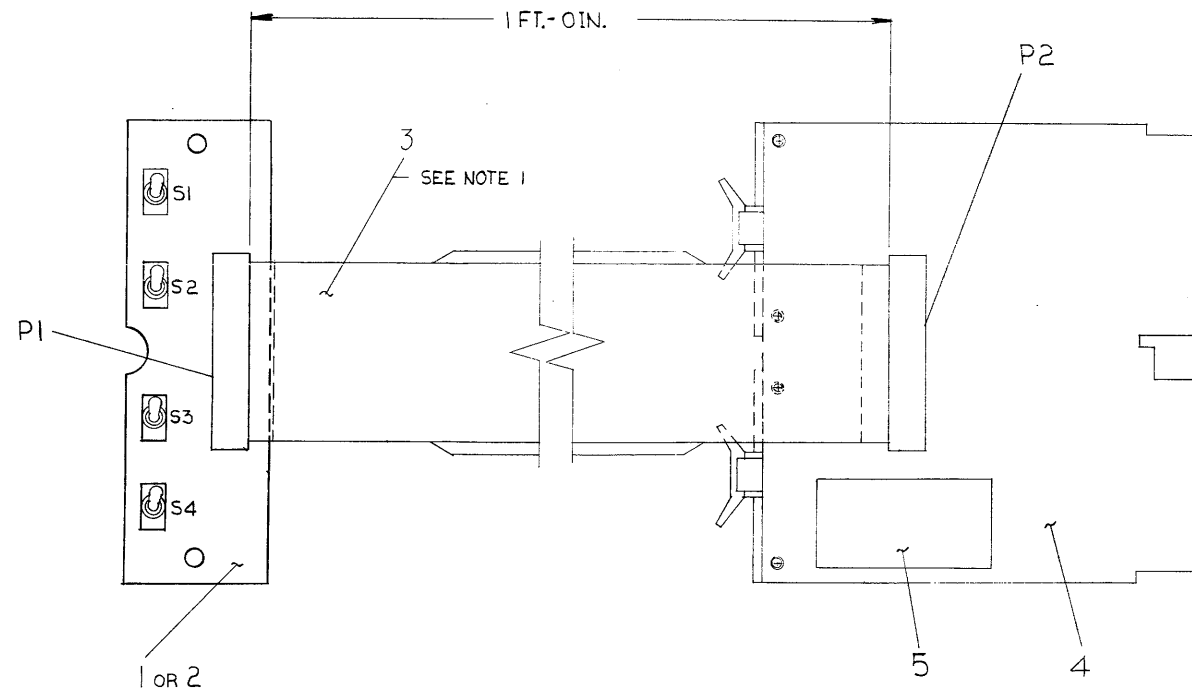
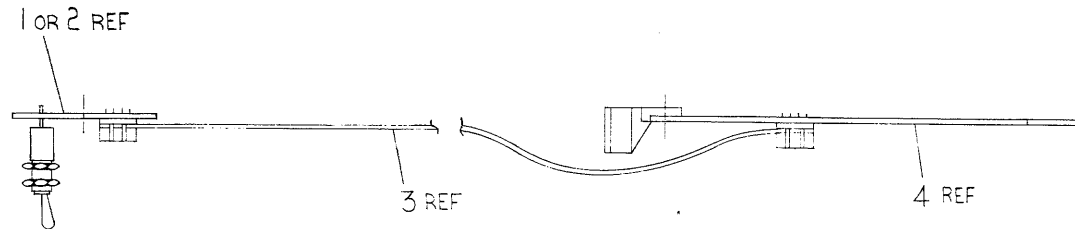
"THIS DRAWING AND SPECIFICATIONS, HEREIN, ARE THE PROPERTY OF DIGITAL EQUIPMENT CORPORATION AND SHALL NOT BE REPRODUCED OR COPIED OR USED IN WHOLE OR IN PART AS THE BASIS FOR THE MANUFACTURE OR SALE OF ITEMS WITHOUT WRITTEN PERMISSION. COPYRIGHT © 1974, DIGITAL EQUIPMENT CORPORATION"

DO NOT SCALE DRAWING

LEGEND	
NUMBER	VARIATION
7010103-1	1 SWITCH
7010103-2	4 SWITCH

NOTES:

- CONNECTORS P1 AND P2 TO BE WIRED POINT TO POINT. (P1 TO P2)
- 7010103-1 USES ONLY 1 SWITCH (S2) AND 7010103-2 USES ALL 4 SWITCHES (S1 THRU S4)
- TRIM AND PREPARE CABLE PER CABLE PROCESS SHEET A-SP-7606485-00
- TO INSTALL CABLE USE COVER OF CONN. 1210073 (FROM SW. BOARD ASSY REF).



QTY.	DESCRIPTION	PART NO.	ITEM NO.
1	LABEL, ADHESIVE BACK	9009255	5
1	JUMPER, INTERRUPT (DTE 20)	D-UA-M8564-0-0	4
1 FT	CABLE, 40 WIRE	1700004-00	3
1	SWITCH BOARD	D-UA-5411360-0-0	2
-	SWITCH BOARD	D-UA-5411360-YA-0	1

QUANTITY VARIATION		QTY.	DESCRIPTION	PART NO.	ITEM NO.
FIRST USED ON OPTION/MODEL					
KL10					
DIMENSIONAL TOLERANCE		DRN.	DATE		
DIMENSIONS ARE <u>MILLIMETERS</u>		CHK'D.	DATE		
UNLESS OTHERWISE SPECIFIED		ENG.	DATE		
		PROJ. ENG.	DATE		
MILLIMETERS	INCHES	ANGLES		TITLE	
X.XX ±0.10	.XXX ±.005	30° 30'		SWITCH ASSY.	
XX ±0.5	.XX ±.02				
X ±.2	X ±.1				
THIRD ANGLE PROJECTION	REMOVE BURRS AND BREAK SHARP CORNERS SURFACE QUALITY ✓	NEXT HIGHER ASSY.			
MATERIAL SEE PARTS LIST	FINISH	D-UA-KL10-0-0	SIZE CODE	NUMBER	REV.
		SCALE 1/1	D AD	7010103-0-0	
		SHEET 1 OF 1	DIST.		

REV.	CHANGE NO.	REVISIONS

REV. 7010103-0-0

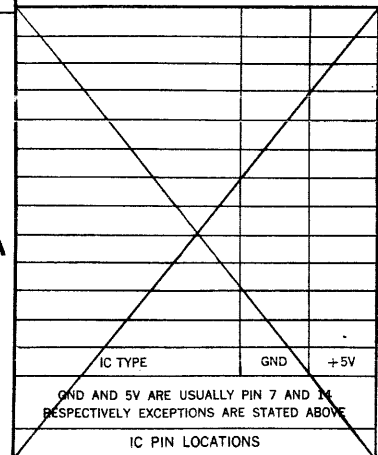
"THIS DRAWING AND SPECIFICATIONS, HEREIN, ARE THE PROPERTY OF DIGITAL EQUIPMENT CORPORATION AND SHALL NOT BE REPRODUCED OR COPIED OR USED IN WHOLE OR IN PART AS THE BASIS FOR THE MANUFACTURE OR SALE OF ITEMS WITHOUT WRITTEN PERMISSION.  
 COPYRIGHT © 1974 DIGITAL EQUIPMENT CORPORATION"

- NOTES:**
1. FOR DRAWING DIRECTORY REFER TO B-DD-541360-YA
  2. FOR CIRCUIT SCHEMATIC SEE D-CS-M8564-0-INTJ
  3. SAVE COVER OF 40 TERM CONN. (1210073) FOR USE AT NEXT HIGHER ASSY (7010103)

QTY	REF. DESIGNATION	DESCRIPTION	PART NO.	ITEM NO.
1		ETCH CIRCUIT BOARD	5011359	1
1	J1	CONN. 40 TERMINAL (BODY ONLY)	1210073	2
1	S2	SWITCH, TOGGLE	1209590	3

D  
C  
B  
A

D  
C  
B  
A



FIRST USED ON OPTION MODEL: KLI0

ETCH BOARD-REV.

DRN. R. W. Caunter	DATE 12/29/74
CHK'D. [Signature]	DATE 12/30/74
ENG. [Signature]	DATE 12/30/74
PROJ. ENG. [Signature]	DATE 12/30/74
PROD. [Signature]	DATE 12/30/74

digital

TITLE: MASTER INTERRUPT SWITCH BD.

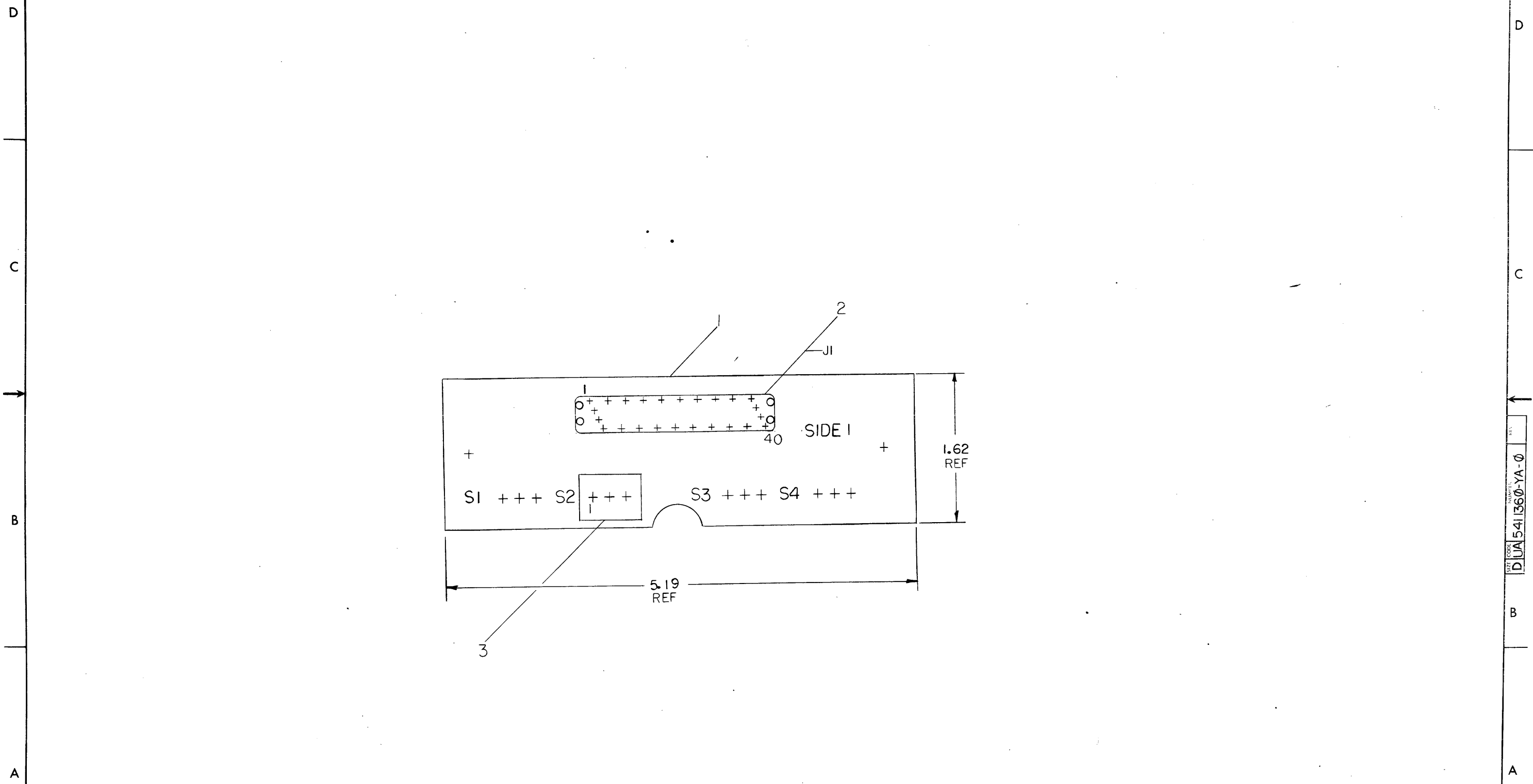
NEXT HIGHER ASSY: B-DD-5411360-YA

SIZE CODE: D UA NUMBER: 541360-YA-0 REV.

SCALE: 1 OF 4 SHEET

SEMICONDUCTOR CONVERSION CHART

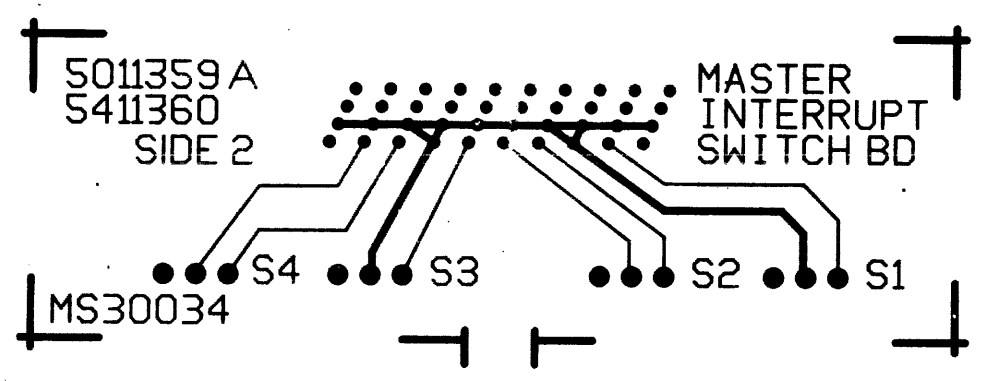
"THIS DRAWING AND SPECIFICATIONS HEREIN ARE THE PROPERTY OF DIGITAL EQUIPMENT CORPORATION AND SHALL NOT BE REPRODUCED OR COPIED OR USED IN WHOLE OR IN PART AS THE BASIS FOR THE MANUFACTURE OR SALE OF ITEMS WITHOUT WRITTEN PERMISSION. COPYRIGHT © 1971 DIGITAL EQUIPMENT CORPORATION"



REVISIONS		
CHK	CHANGE NO	REV

"THIS DRAWING AND SPECIFICATIONS HEREIN ARE THE PROPERTY OF DIGITAL EQUIPMENT CORPORATION AND SHALL NOT BE REPRODUCED OR COPIED OR USED IN WHOLE OR IN PART AS THE BASIS FOR THE MANUFACTURE OR SALE OF ITEMS WITHOUT WRITTEN PERMISSION. COPYRIGHT © 1974 DIGITAL EQUIPMENT CORPORATION"

REV. 2  
 NUMBER DUA 5411360-YA-0  
 SIZE CODE



D  
C  
B  
A

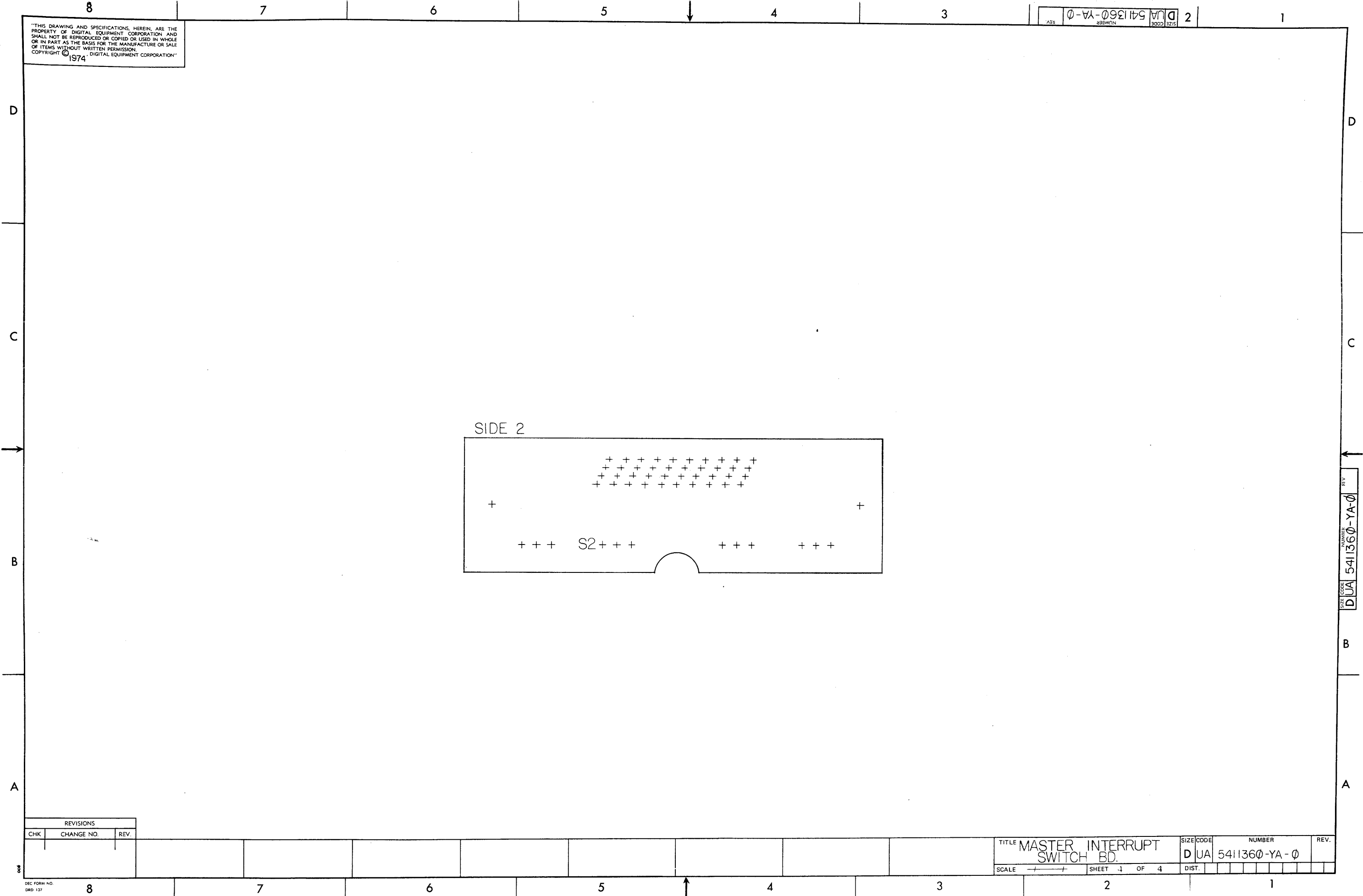
D  
C  
B  
A

REVISIONS		
CHK	CHANGE NO	REV

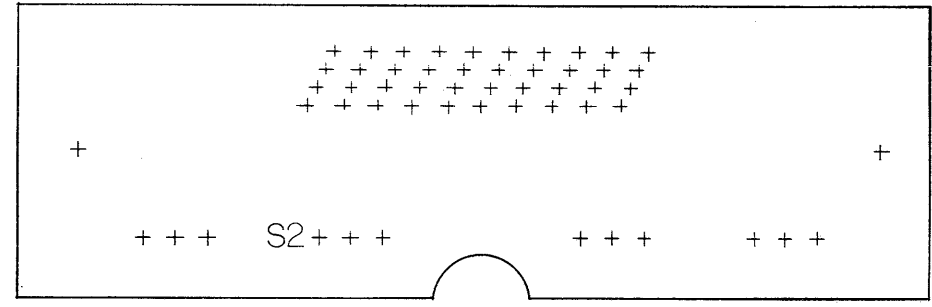
TITLE	MASTER INTERRUPT SWITCH BD.	SIZE CODE	D UA	NUMBER	5411360-YA-0	REV.	
SCALE	1/1	SHEET	3	OF	4	DIST.	



"THIS DRAWING AND SPECIFICATIONS, HEREIN, ARE THE PROPERTY OF DIGITAL EQUIPMENT CORPORATION AND SHALL NOT BE REPRODUCED OR COPIED OR USED IN WHOLE OR IN PART AS THE BASIS FOR THE MANUFACTURE OR SALE OF ITEMS WITHOUT WRITTEN PERMISSION. COPYRIGHT © 1974 DIGITAL EQUIPMENT CORPORATION"



SIDE 2

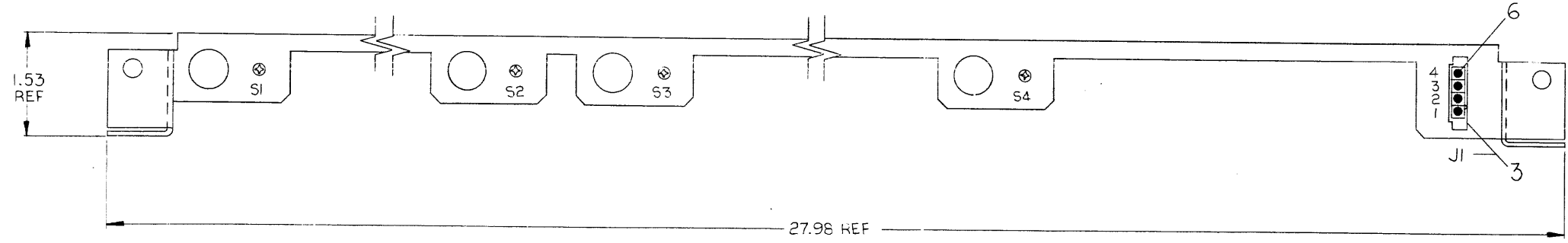
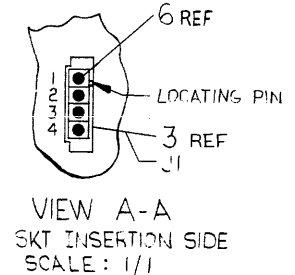
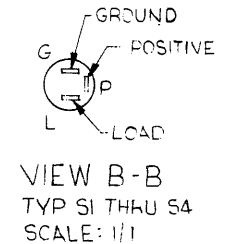
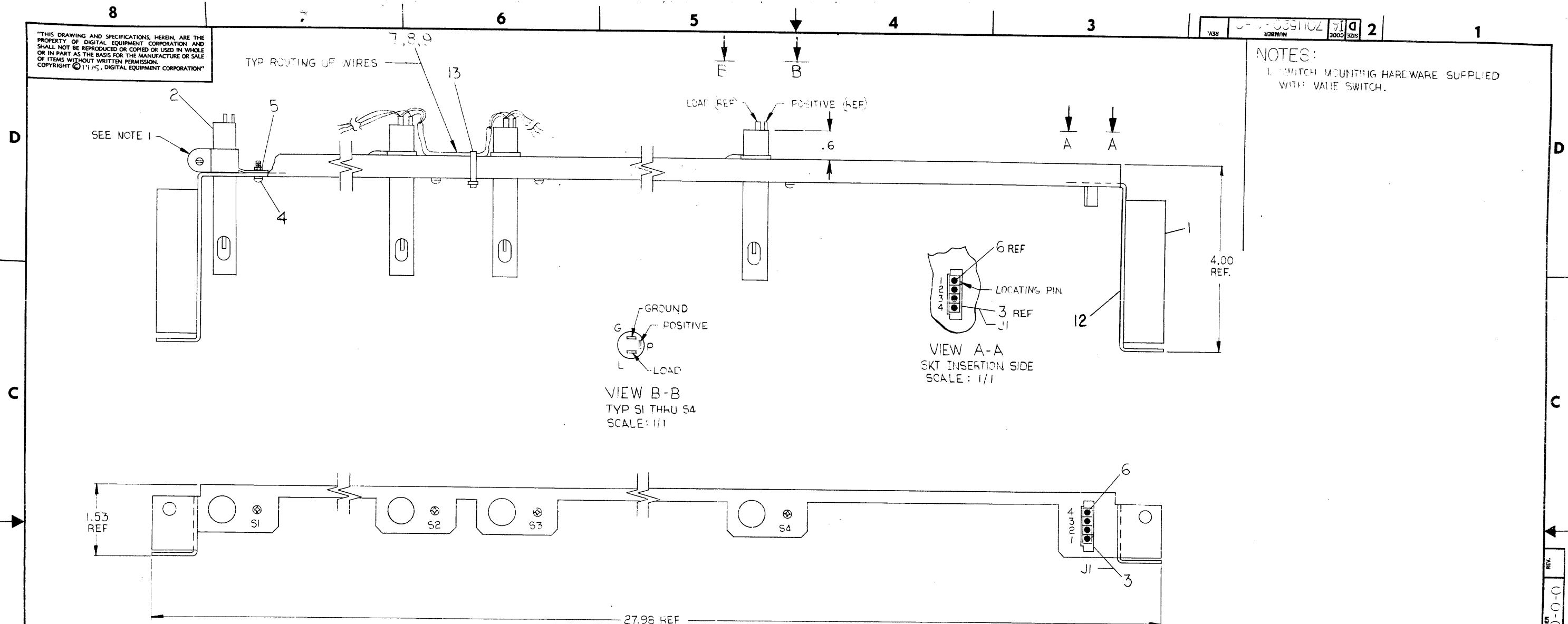


REVISIONS		
CHK	CHANGE NO.	REV.

"THIS DRAWING AND SPECIFICATIONS, HEREIN, ARE THE PROPERTY OF DIGITAL EQUIPMENT CORPORATION AND SHALL NOT BE REPRODUCED OR COPIED OR USED IN WHOLE OR IN PART AS THE BASIS FOR THE MANUFACTURE OR SALE OF ITEMS WITHOUT WRITTEN PERMISSION. COPYRIGHT © 1975, DIGITAL EQUIPMENT CORPORATION"

REV. 1 2 3 4 5 6 7 8 9 10 11 12 13 14 15 16 17 18 19 20 21 22 23 24 25 26 27 28 29 30 31 32 33 34 35 36 37 38 39 40 41 42 43 44 45 46 47 48 49 50 51 52 53 54 55 56 57 58 59 60 61 62 63 64 65 66 67 68 69 70 71 72 73 74 75 76 77 78 79 80 81 82 83 84 85 86 87 88 89 90 91 92 93 94 95 96 97 98 99 100

NOTES:  
1. SWITCH MOUNTING HARDWARE SUPPLIED WITH VANE SWITCH.



WIRE TABLE						
ITEM NO.	DESCRIPTION	FROM	TO	CONN	TERM	CONN
9	22 AWG BLK	S1-G	10 & 11	S2-G	10 & 11	
		S3-G	10 & 11	S4-G	10 & 11	
9	22 AWG BLK	J1-2	6	J1-1	6	
8	22 AWG ORN	S1-P	10 & 11	S2-P	10 & 11	
		S3-P	10 & 11	S4-P		
8	22 AWG ORN	J1-3	6			
7	22 AWG YEL	S1-L	10 & 11	S2-L		
		S3-L	10 & 11	S4-L	10 & 11	
7	22 AWG YEL	J1-4	6			

ITEM NO.	DESCRIPTION	DWG./PART NO.	ITEM NO.
8	CABLE TIES	9007032	13
1	LABEL ADHESIVE BACK	9009255	12
12	SHRINKABLE TUBING	9107305-02	11
12	TERMINAL QUICK CONNECT	9009137-01	10
A/R	WIRE, 22 AWG STRD (BLK)	9107350-00	9
A/R	WIRE, 22 AWG STRD (ORN)	9107350-33	8
A/R	WIRE, 22 AWG STRD (YEL)	9107350-44	7
4	TERMINAL SKT CONTACT	1209379-06	6
4	NUT, KEPS 6-32	9006560	5
4	SCR, PH HD PAN 6-32 x .38	9006022-1	4
1	CONN SKT HSG 4 PIN	1209350-04	3
4	VANE SWITCH SPST N.O.	1210756	2
1	BRACKET, SWITCH	D-MD-7414328-0-0	1

UNLESS OTHERWISE SPECIFIED DIMENSIONS ARE IN INCHES							
ANGLES ±0° 30'	CLASS OF ACCURACY	NOMINAL DIMENSION RANGE INCHES					
		OVER 0 TO 0.2	OVER 0.2 TO 1.2	OVER 1.2 TO 4.0	OVER 4.0 TO 12.0	OVER 12.0 TO 40.0	OVER 40.0 TO 80.0
SURFACE QUALITY IN	(CHECK ONE)	±.004	±.008	±.012	±.016	±.024	±.04
	PREFERRED	±.012	±.016	±.025	±.04	±.063	±0.1

THIRD ANGLE PROJECTION

REMOVE BURRS AND BREAK SHARP CORNERS

DO NOT SCALE DWG

MATERIAL: SEE PARTS LIST

FINISH: ---

QUANTITY & VARIATION

DRN: M. G. [Signature] 6-16-75

CHK'D: B. H. [Signature] 6-17-75

ENG: P. G. [Signature] 6-17-75

PROJ. ENG: [Signature] 6-17-75

PROD. [Signature] 6-23-75

NEXT HIGHER ASSY.

E-AD-7010101-0-0

SCALE: 1/1

SHEET 1 OF 1

FIRST USED ON: KLIO digital

TITLE: VANE SWITCH ASSY

SIZE CODE: D IA

NUMBER: 7011520-0-0

REV.:

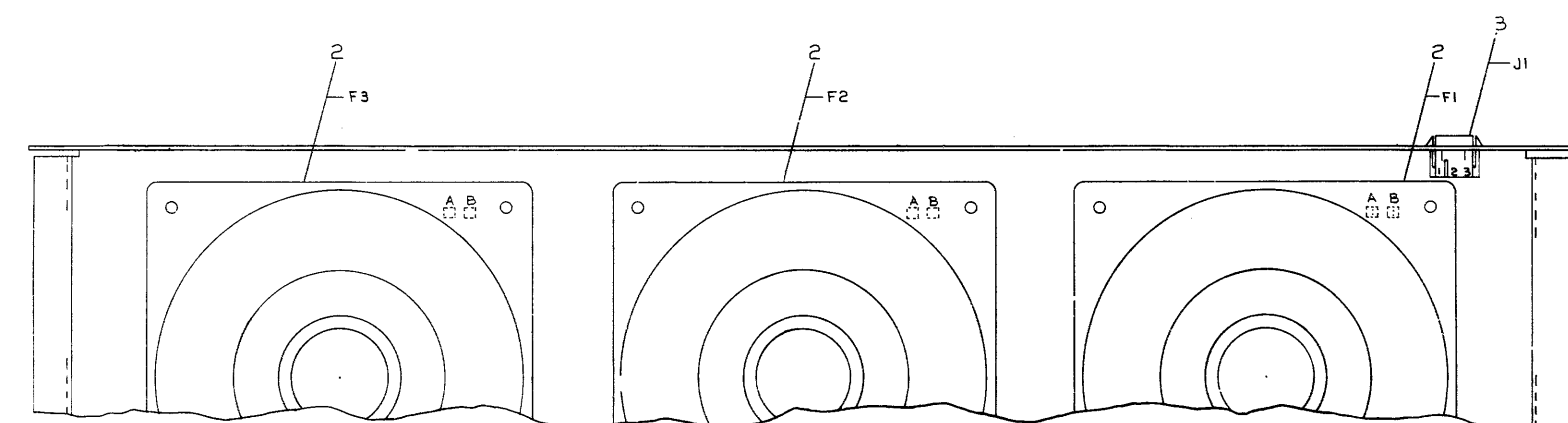
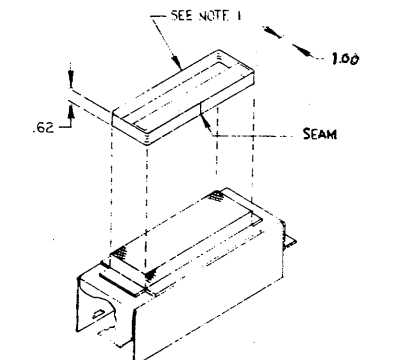
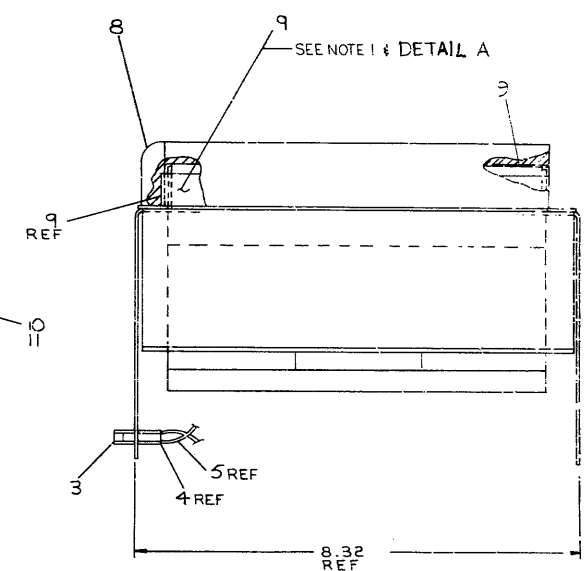
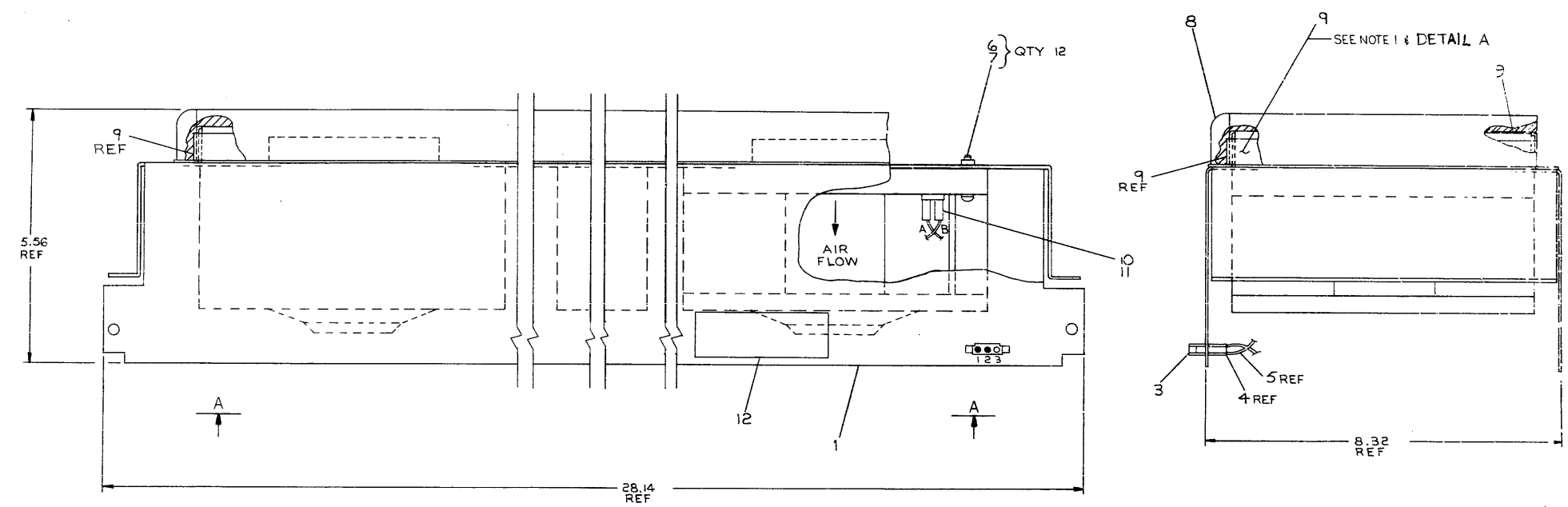
REVISIONS  
CHANGE NO. 1  
CHK: M. G. [Signature] 6-17-75

THIS DRAWING AND SPECIFICATIONS, HEREIN, ARE THE PROPERTY OF DIGITAL EQUIPMENT CORPORATION AND SHALL NOT BE REPRODUCED OR COPIED OR USED IN WHOLE OR IN PART AS THE BASIS FOR THE MANUFACTURE OR SALE OF ITEMS WITHOUT THE WRITTEN PERMISSION OF DIGITAL EQUIPMENT CORPORATION.

WIRE TABLE							
ITEM NO.	DESCRIPTION	AWG	COLOR	FROM CONNECTION	TO CONNECTION	TERM	LENGTH INCHES
5	*18	WHT		F3-B	F2-B	10#11	14.0
		WHT		F1-B	J1-1	4	7.0
		RED		F3-A	F2-A	10#11	14.0
		RED		F1-A	J1-2	4	7.0

DO NOT SCALE DRAWING

NOTES:  
1. TRIM & INSTALL VELCRO (ITEM #9) AS SHOWN.



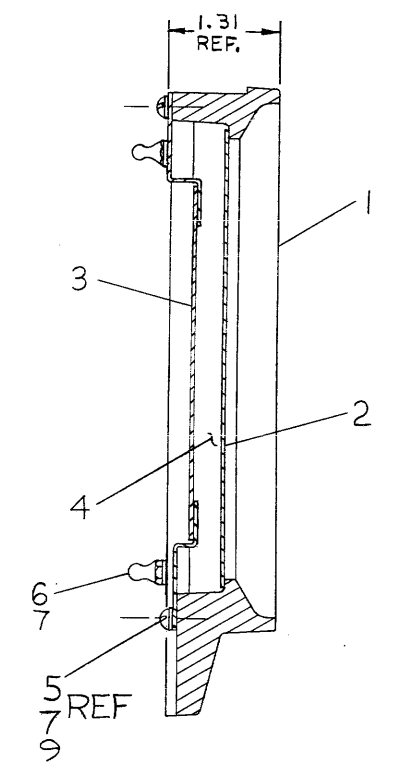
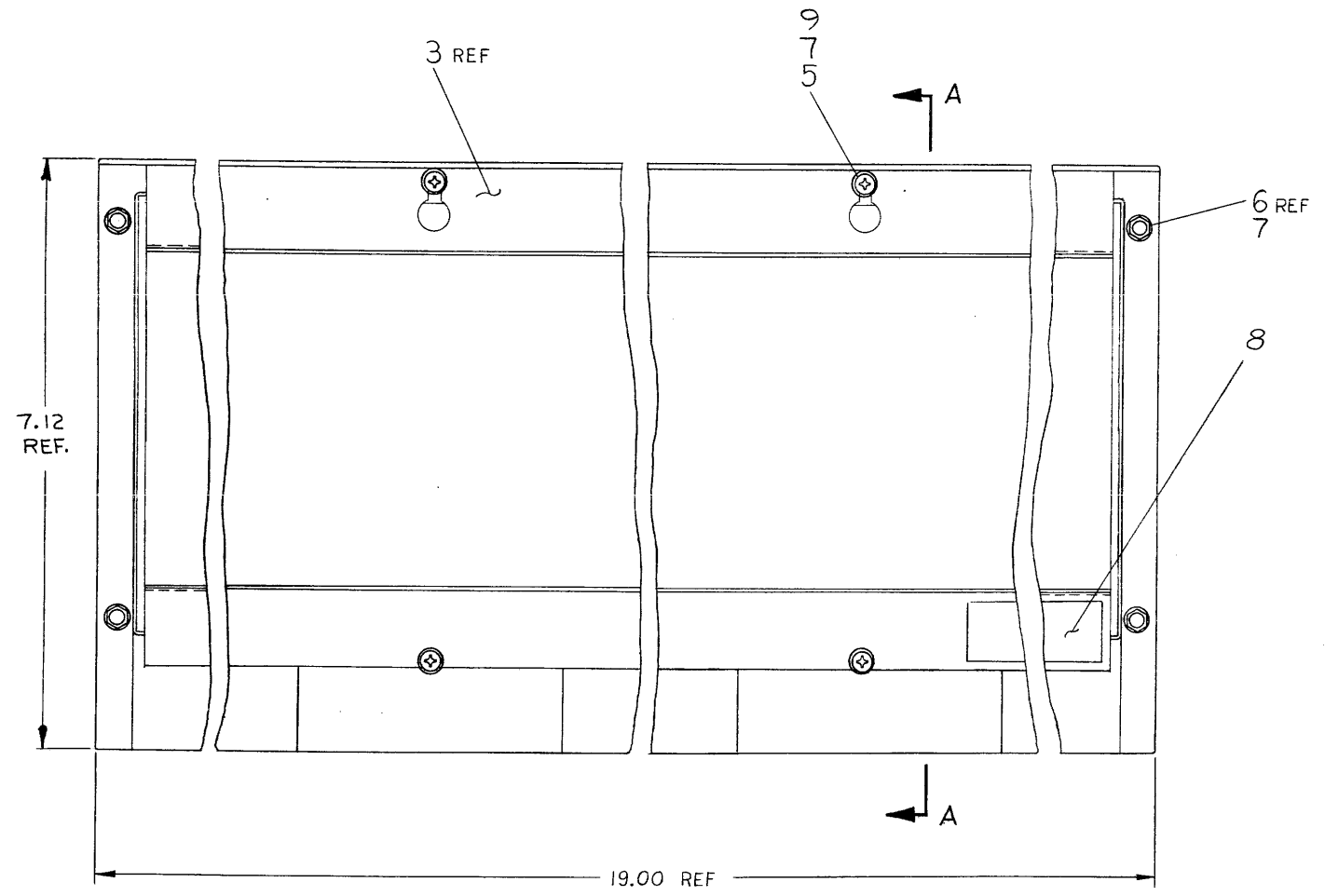
VIEW A-A

QTY.	DESCRIPTION	PART NO.	TERM.
1	LABEL ADHESIVE BCK	9009255	12
6	FASTAB TERMINAL	1210820-02	11
6	FASTAB SOCKET HSG	1210820-01	10
8	VELCRO ADH BCK	1211336-02	9
1	FILTER I/O MEM	1212035-0	8
12	WASHER INT TOOTH #8	9006634	7
12	SCR PHL PAN HD 8-32x.87LG	9006042-1	6
3	*18 AWG STRD TWP RED/WHT	9107430-29	5
2	CONN HOUSING 3 SKT	1209379-03	4
1	FAN, TARZAN 115 V AC	1211747-0	3
3	FAN, TARZAN 115 V AC	1211747-0	2
1	HOUSING, TARZAN (3) FANS	741191-0-0	1

FIRST USED ON OPTION MODEL		DATE	
DIMENSIONAL TOLERANCE		DATE	
UNLESS OTHERWISE SPECIFIED		DATE	
MILLIMETERS		INCHES	
Z ±0.13	XX ±0.25	MM ±0.1	IN ±0.005
Y ±0.13	XY ±0.25	MM ±0.1	IN ±0.005
X ±0.13	XY ±0.25	MM ±0.1	IN ±0.005
THIRD ANGLE PROJECTION		NEXT NUMBER ASSY.	
SEE PARTS LIST		E:AD7010101-0-0	
FINISH		SCALE 1/1	
REV.		REV.	
E:AD7009894-0-0		E:AD7009894-0-0	

This drawing and specifications, herein, are the property of Digital Equipment Corporation and shall not be reproduced or copied or used in whole or in part as the basis for the manufacture or sale of items without written permission. COPYRIGHT © 1973  
DIGITAL EQUIP. CORPORATION

0-0-8796002 C7 a 2



SECTION A-A

QTY.	DESCRIPTION	PART NO.	ITEM NO.
4	WASHER, FLAT	9006656	9
1	LABEL, ADHESIVE BACK	9009255	8
8	WASHER, LOCK INT TOOTH #6	9006633	7
4	BALL STUD # 6-32	9008321	6
4	SCR. PHL PAN HD #6-32X.38	9006022-1	5
1	FILTER, BEZEL	1212111-00	4
1	RETAINER, GRILL	E-IA-7411537-2-0	3
1	GRILL, BEZEL	C-MD-7411524-2-0	2
1	BEZEL MARCH (19 IN)	D-MD-7411551-0-0	1

FIRST USED ON OPTION/MODEL		KLIØ		PARTS LIST	
UNLESS OTHERWISE SPECIFIED DIMENSION IN INCHES. TOLERANCES	DRN: <i>G. B. Lodge</i> DATE: 11-19-73				
DECIMALS: .XXX = .005, .XX = .02, .X = .1	CHK'D: <i>J. Reed</i> DATE: 12/20/73				
ANGLES: ±0° 30'	ENG: <i>J. Reed</i> DATE: 11/16/74	<b>AIR INLET ASSY (19 IN)</b>			
REMOVE BURRS AND BREAK SHARP CORNERS SURFACE QUALITY ✓	PROJ. ENG.: <i>J. Reed</i> DATE: 11/16/74				
MATERIAL: SEE PARTS LIST	PROD.: <i>J. Reed</i> DATE: 11/21/74	NEXT HIGHER ASSY: D-UA-KLIØ-0-0	SIZE CODE: DAD	NUMBER: 7009678-0-0	REV: A
FINISH: / /	SCALE: 1/1	SHEET: 1	OF: 1	DIST.	1

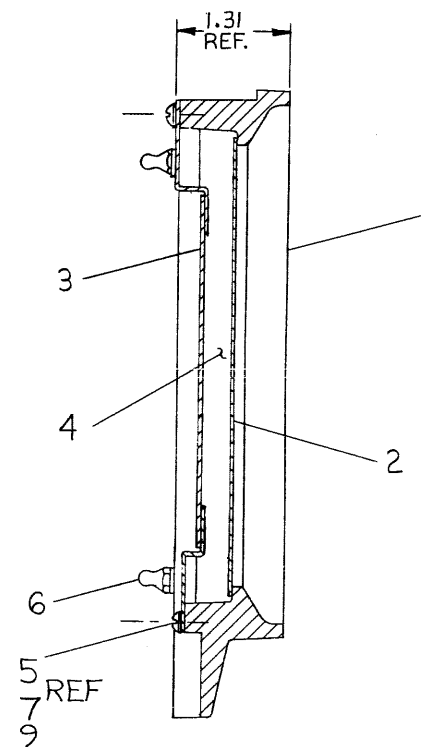
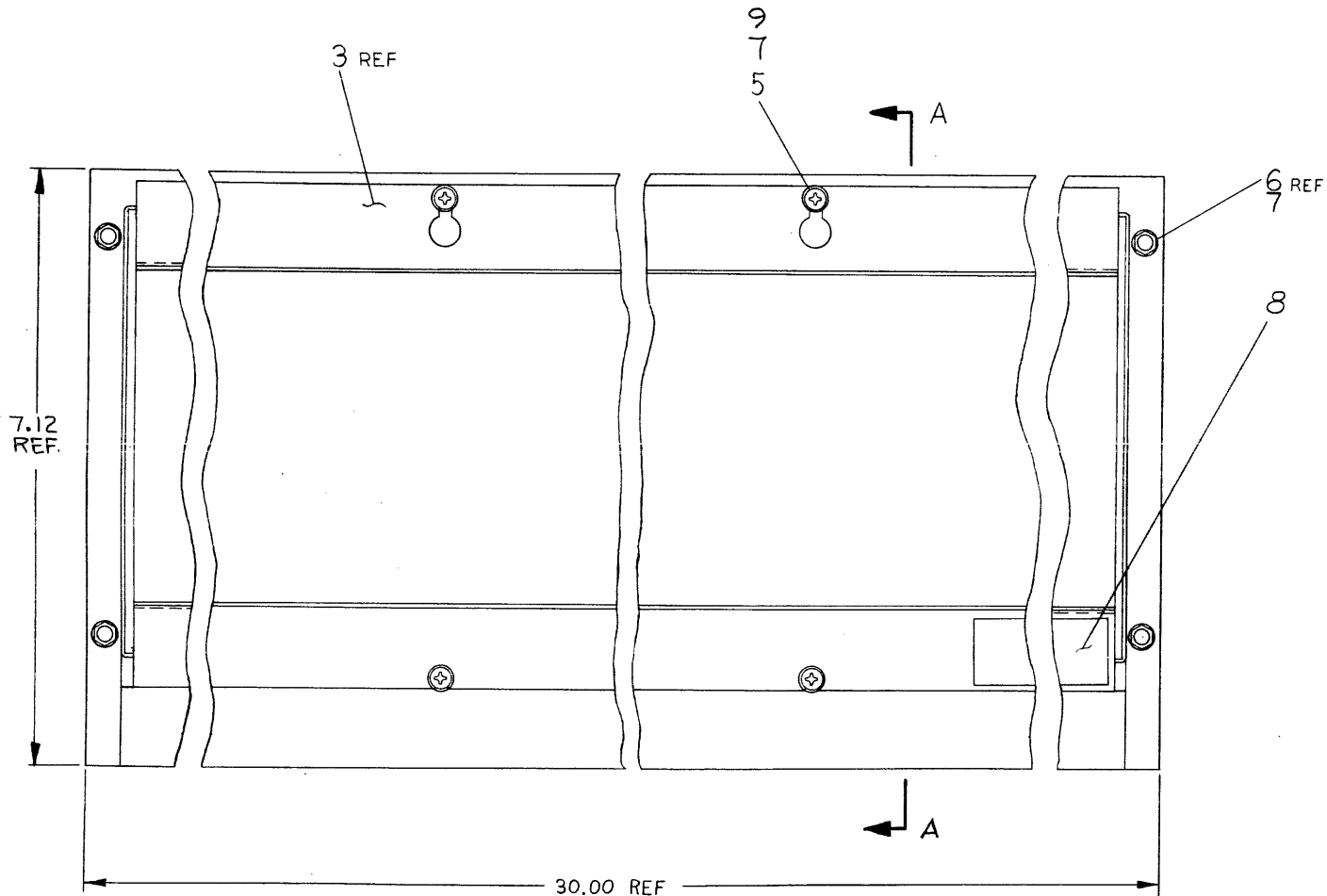
BRUNING 40-107 15968

REVISIONS	CHANGE NO.	REV.
CHK	7009678-00001	A
E. REMONDAS 6-9-75		
J. PROVIDENT		
9/11/75 F 6-9-75		

SIZE CODE NUMBER REV. P AD 7009678-0-0 A

This drawing and specifications, herein, are the property of Digital Equipment Corporation and shall not be reproduced or copied or used in whole or in part as the basis for the manufacture or sale of items without written permission. COPYRIGHT © 1973 DIGITAL EQUIP. CORPORATION

0-C-6238002 2



SECTION A-A

QTY.	DESCRIPTION	PART NO.	ITEM NO.
4	WASHER, FLAT	9006656	9
1	LABEL, ADHESIVE BACK	9009255	8
8	WASHER, LOCK INT TOOTH #G	9006633	7
4	BALL STUD # 6-32	9008321	6
4	SCR PHL PAN HD #6-32 X.38	9006022-1	5
1	FILTER, BEZEL	1212111-01	4
1	RETAINER, GRILL	E-1A-7411537-1-0	3
1	GRILL, BEZEL	G-MD-7411524-1-0	2
1	BEZEL IND. MACH (30 IN)	D-MD-7411550-0-0	1

FIRST USED ON OPTION/MODEL		QTY.	DESCRIPTION	PART NO.	ITEM NO.
KLIO PARTS LIST					
UNLESS OTHERWISE SPECIFIED DIMENSION IN INCHES TOLERANCES		DRN. <i>G. R. Smith</i>	DATE 11-19-73	<b>digital</b> EQUIPMENT CORPORATION <small>MAYNARD MASSACHUSETTS</small> TITLE <b>AIR INLET ASSY (30 IN)</b>	
DECIMALS	ANGLES	CHKD. <i>D. Hays</i>	DATE 12/20/73		
.XXX = .005	±0° 30'	ENG. <i>W. M. Smith</i>	DATE 11/19/74		
.XX = .02		PROD. ENG. <i>W. M. Smith</i>	DATE 11/19/74		
REMOVE BURRS AND BREAK SHARP CORNERS - SURFACE QUALITY		PROD. <i>W. M. Smith</i>	DATE 11/19/74		
MATERIAL	NEXT HIGHER ASSY.			SIZE CODE	NUMBER
SEE PARTS LIST	D-UA-KLIO-Ø-Ø			DAD	7009679-0-0
FINISH	SCALE 1/1			SHEET	OF 1
				DIST.	

BRUNING 40-107 15868

REV.	CHANGE NO.	DATE
A	7009679-00001	6-4-73
	E. PROVIDENT	6-9-75

SIZE CODE NUMBER REV  
 DAD 7009679-0-0 A

This drawing and specifications, herein, are the property of Digital Equipment Corporation and shall not be reproduced or copied or used in whole or in part as the basis for the manufacture or sale of items without written permission.

### WIRE TABLE

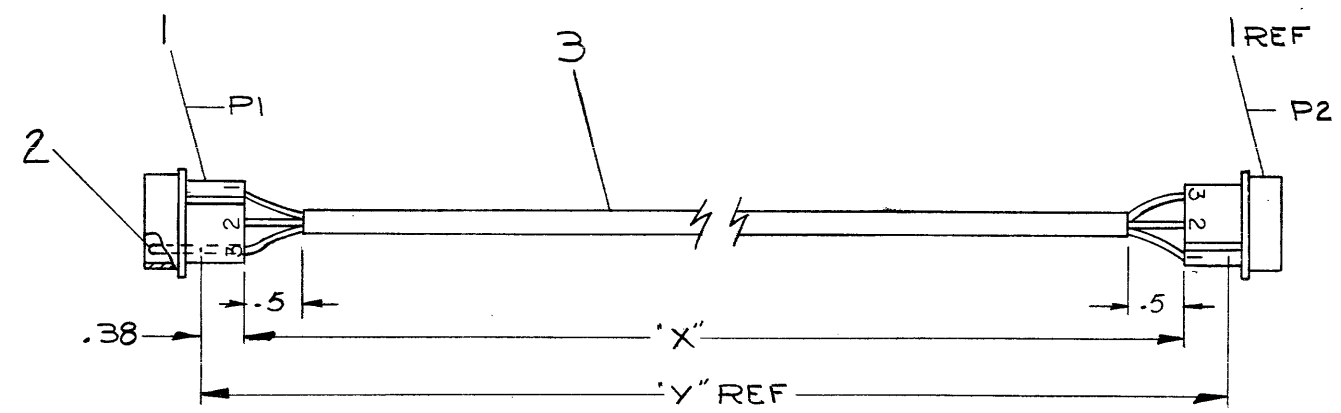
ITEM NO	DESCRIPTION	TO		FROM		
		AWG	COLOR	CONNECTION	WITH	CONNECTION
3	22	RED	PI-1	2	P2-1	2
3	22	BLK	PI-2	2	P2-2	2
3	22	GRN	PI-3	2	P2-3	2

### LEGEND

NUMBER	DIM 'X' VARIATION	DIM 'Y' (PRECUT) REF
7008288-3F	3FT. 6 IN ± 1 IN.	3FT. 6.8 IN ± 1 IN.
7008288-8F	8FT. 6 IN ± 2 IN.	8FT. 6.8 IN ± 2 IN.
7008288-06	6FT. ± 2 IN.	6FT. 0.8 IN ± 2 IN.
7008288-12	12FT. ± 3 IN.	12FT. 0.8 IN ± 3 IN.
7008288-05	5FT. ± 1 IN.	5FT. 0.8 IN ± 2 IN.
7008288-10	10FT. ± 2 IN.	10FT. 0.8 IN ± 3 IN.
7008288-15	15FT. ± 3 IN.	15FT. 0.8 IN ± 3 IN.
7008288-08	8FT. ± 2 IN.	8FT. 0.8 IN ± 2 IN.

### NOTES:

~~THE REMAINING BLK WIRE IS TO BE CUT BACK AT JACKET (BOTH ENDS.)~~



REVISIONS	
CHK	CHANGE NO.
8/8	7008288-00001 A
R. BURTON	
8/8	7008288-00002 B
G. O'Leary 8-5-74	
8/8	7008288-00003 C
D. LEWIS 7-1-74	
8/8	7008288-00004 D
B. MINOR 3-28-75	
8/8	7008288-00005
J. PROVIDENT 6-10-75	

A/R	WIRE, 3 COND #22 AWG	9107756	3
6	PIN MALE #G0620-1	1209378	2
2	PIN HOUSING #1-480305-0	1209351-03	1

FIRST USED ON OPTION/MODEL  
PDP/11

UNLESS OTHERWISE SPECIFIED	DRN.	DATE
UNLESS OTHERWISE SPECIFIED DIMENSION IN INCHES	<i>J. Flanagan</i>	3/22/71
TOLERANCES	CHK'D	DATE
DECIMALS FRACTIONS ANGLES	<i>J. Flanagan</i>	3-31-71
± .005 ± 1/64 ± 0°30'	ENG.	DATE
FINAL SURFACE QUALITY REMOVE BURRS AND BREAK SHARP CORNERS	<i>C.R. Blair</i>	4-9-71
	PROJ. ENG.	DATE
	<i>C.R. Blair</i>	4-9-71
	PROD.	DATE
	<i>H. Call</i>	4-12-71

PARTS LIST  
digital EQUIPMENT CORPORATION  
MAYNARD, MASSACHUSETTS

TITLE  
CABLE ASSY

MATERIAL	SCALE
SEE PARTS LIST	H
FINISH	SHEET
#	1 OF 1

SIZE CODE	NUMBER	REV.
CIA	7008288-0-0	D

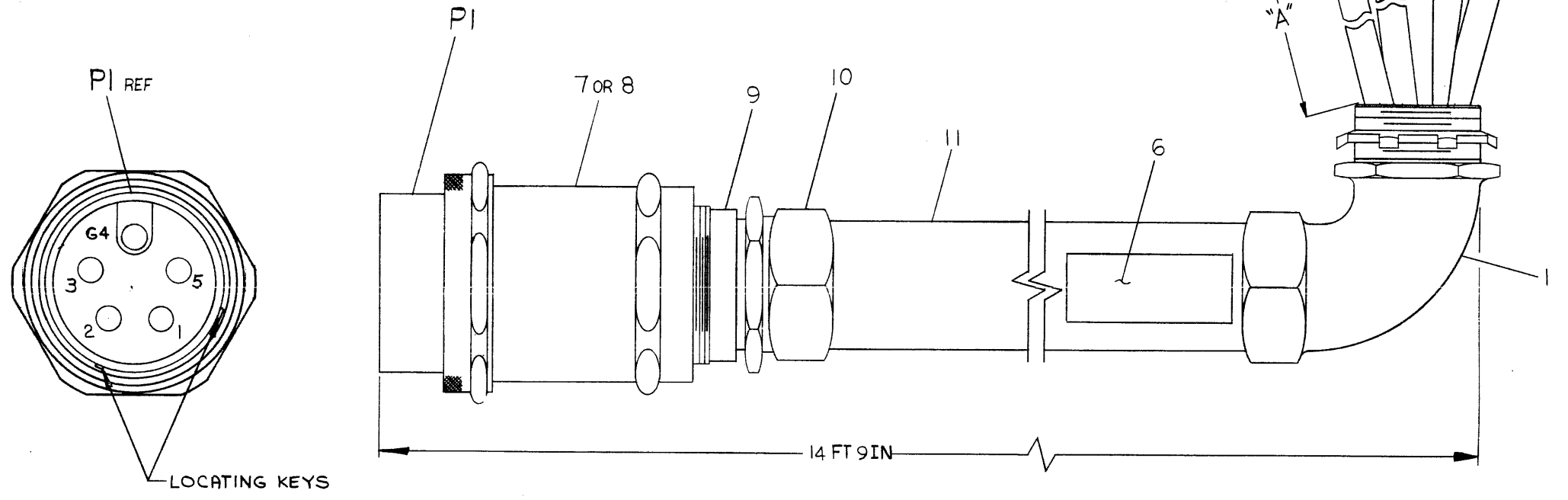
SIZE CODE NUMBER REV.  
CIA 7008288-0-0 D

"THIS DRAWING AND SPECIFICATIONS, HEREIN, ARE THE PROPERTY OF DIGITAL EQUIPMENT CORPORATION AND SHALL NOT BE REPRODUCED OR COPIED OR USED IN WHOLE OR IN PART AS THE BASIS FOR THE MANUFACTURE OR SALE OF ITEMS WITHOUT WRITTEN PERMISSION. COPYRIGHT © 1974, DIGITAL EQUIPMENT CORPORATION"

WIRE TABLE										
ITEM NO.	DESCRIPTION			FROM			TO			LENGTHS DIM "A"
	AWG	COLOR	POINT	CONNECTION	TERM	POINT	CONNECTION	TERM		
3	2	BLK	—	PI-1	—	1	—	ITEM*5	6.25IN ±.5IN	
3	2	BLK	—	PI-2	—	2	—	ITEM*5	7.25IN ±.5IN	
3	2	BLK	—	PI-3	—	3	—	ITEM*5	8.25IN ±.5IN	
2	2	GRN	—	PI-G4	—	4	—	ITEM*5	5.25IN ±.5IN	
4	2	WHT	—	PI-5 (NEUT)	—	5	—	ITEM*5	9.25IN ±.5IN	

LEGEND	
NUMBER	VARIATION
7010326-1	60 HZ
7010326-2	50 HZ

- NOTES:
- LUGS (ITEM\*5) TO BE LABELED WITH BRADY MARKERS.
  - ITEM \*7 AND \*8 PLUG ASSEMBLY MATES WITH RECEPTACLE ASSY #1212020 (FOR REF ONLY)



QTY.	DESCRIPTION	PART NO.	ITEM NO.
14.5FT	CONDUIT, FLEXIBLE	1212023	11
1	CONNECTOR	1212029	10
1	BUSHING, REDUCING	1212028	9
1	PLUG, ASSY. 50 HZ	1212021-01	8
1	PLUG, ASSY. 60 HZ	1212021-00	7
1	LABEL, ADHESIVE BACKED	9009255	6
5	LUG, TERMINAL	1211513-01	5
16 FT	WIRE #2 AWG INS WHT	9107764-99	4
48 FT	WIRE #2 AWG INS BLK	9107764-00	3
16 FT	WIRE #2 AWG INS GRN	9107764-55	2
1	ELBOW, 90°	1212022	1

QUANTITY / VARIATION		QTY.	DESCRIPTION	PART NO.	ITEM NO.
FIRST USED ON OPTION/MODEL					
KLIØ					
DIMENSIONAL TOLERANCE		DRN	DATE	PARTS LIST	
DIMENSIONS ARE MILLIMETERS		CHK'D	DATE	digital	
UNLESS OTHERWISE SPECIFIED		ENG	DATE	TITLE	
MILLIMETERS	INCHES	ANGLES		POWER CORD ASSY	
X.XX ±0.10	.XXX ±.006	±0° 30'	PROJ. ENG.	DATE	
.XX ±0.5	.XX ±.02		PROJ. ENGR.	DATE	
X ±.2	X ±.1		PRODR.	DATE	
THIRD ANGLE PROJECTION	REMOVE BURRS AND BREAK SHARP CORNERS SURFACE QUALITY	NEXT HIGHER ASSY.			
MATERIAL	SEE PARTS LIST	D-UR-KLIØ-Ø-Ø	SIZE CODE	NUMBER	REV.
FINISH	—//—	SCALE 1/1	D IA	7010326-0-0	
		SHEET 1 OF 1	DIST.		

REV.	CHANGE NO.	CHK

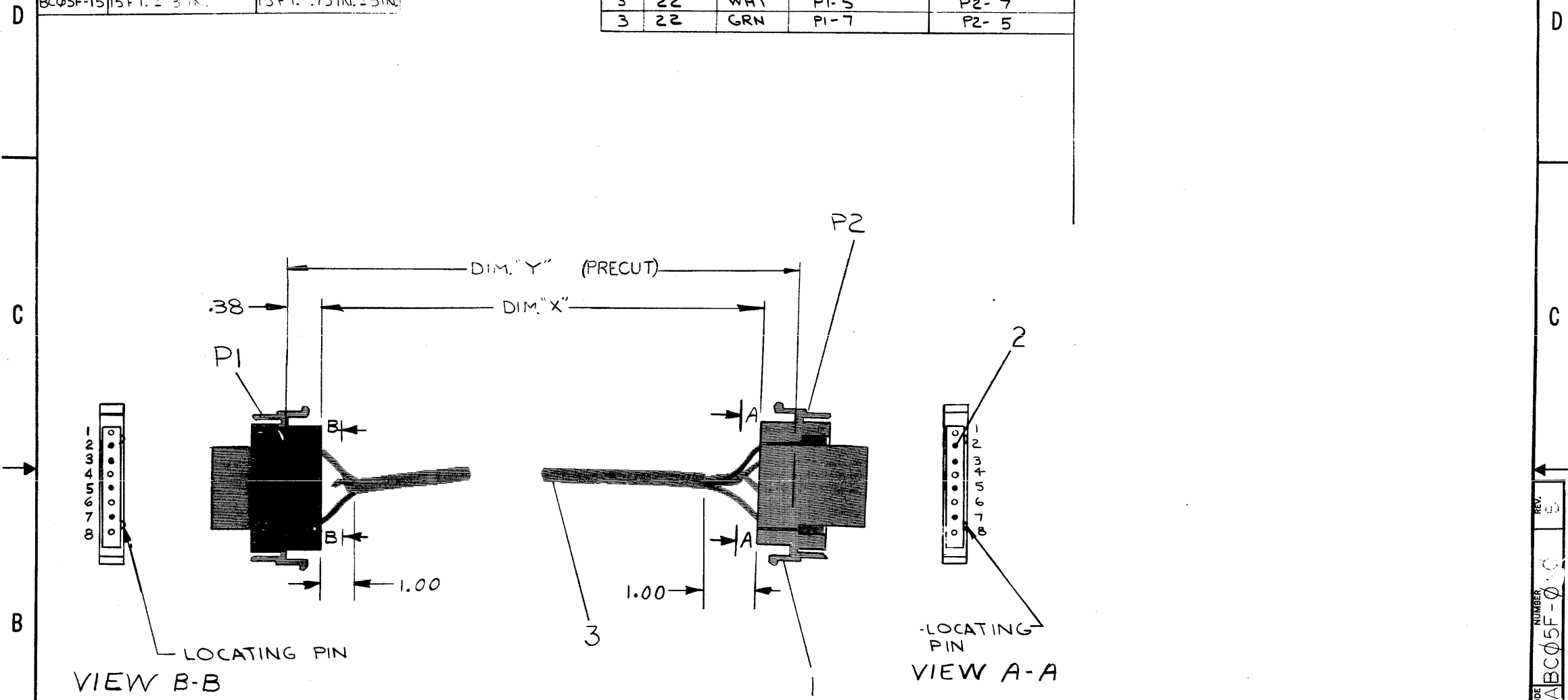
This drawing and specifications, herein, are the property of Digital Equipment Corporation and shall not be reproduced or copied or used in whole or in part as the basis for the manufacture or sale of items without written permission.

**LEGEND**

NUMBER	DIM "X" VARIATION	DIM "Y" (PRECUT) REF
BCØ5F-15	15 FT. ± 3 IN.	15 FT. .75 IN. ± 3 IN.

**WIRE TABLE**

ITEM NO	DESCRIPTION	FROM CONNECTION	TO CONNECTION
3	22 BLK	P1-2	P2-3
3	22 RED	P1-3	P2-2
3	22 WHT	P1-5	P2-7
3	22 GRN	P1-7	P2-5



QTY.	DESCRIPTION	PART NO.	ITEM NO.
AR	CABLE 4 CONDUCTOR	9107706	3
8	SOCKET (MALE)	1209378-03	2
2	MATE-N-LOCK (MALE)	1209340-01	1

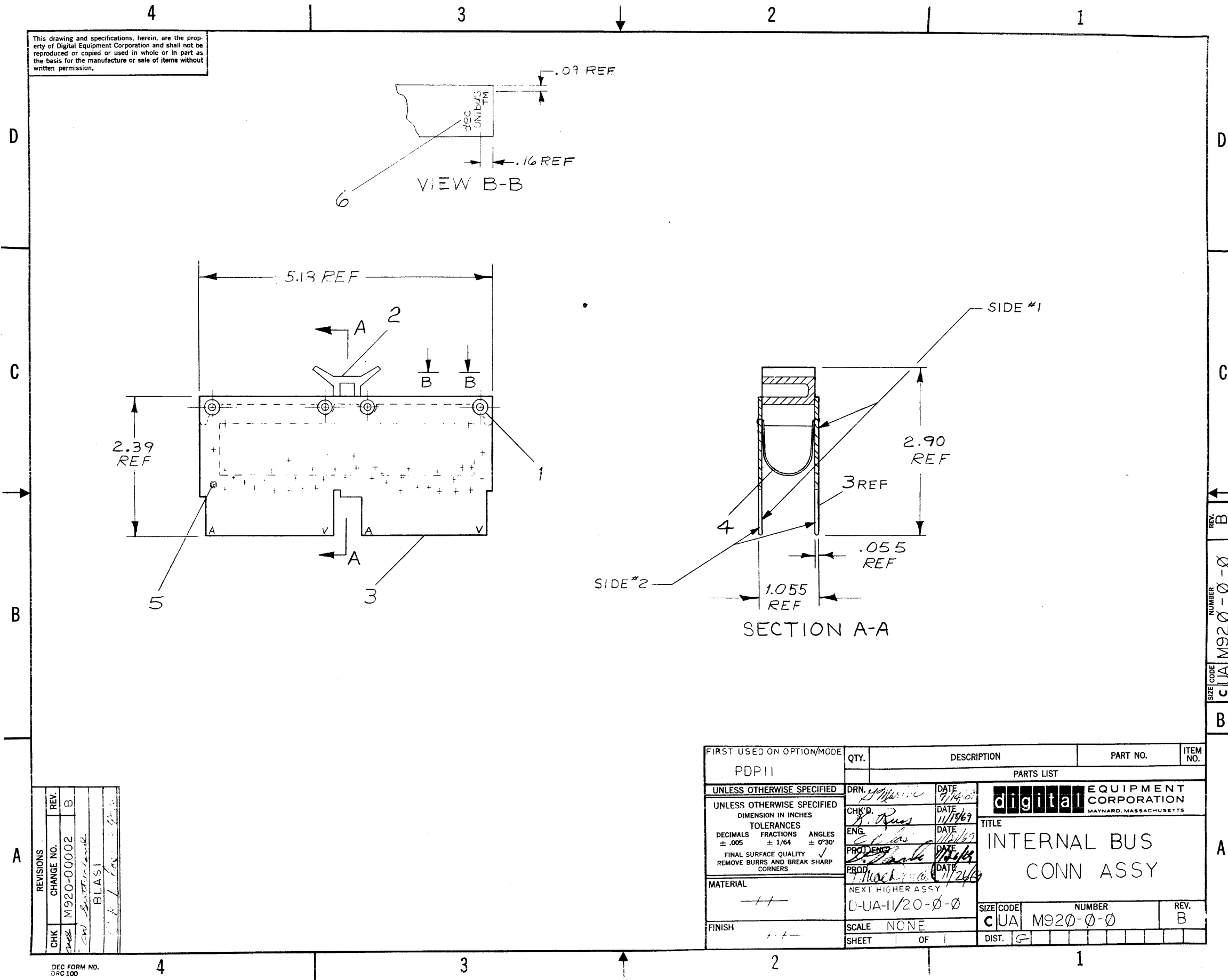
FIRST USED ON OPTION MODEL DF11		PARTS LIST	
UNLESS OTHERWISE SPECIFIED	DRN <i>H. London</i>	DATE 12/8/71	<b>digital</b> EQUIPMENT CORPORATION MAYNARD, MASSACHUSETTS TITLE <b>CABLE INTERFACE</b> <b>BCØ5F</b>
UNLESS OTHERWISE SPECIFIED	CHK'D <i>R. Milan</i>	DATE 12/8/71	
TOLERANCES	ENG <i>Robert Fitch</i>	DATE 12/17/71	
DECIMALS ± .005	PROJ. ENG. <i>Robert Fitch</i>	DATE 12/19/71	
FRACTIONS ± 1/64	PROB <i>Paul George</i>	DATE 12/19/71	
ANGLES ± 0°30'	NEXT HIGHER/ ASS'Y #		SIZE CODE C U A B C Ø 5 F - Ø - Ø
FINAL SURFACE QUALITY REMOVE BURRS AND BREAK SHARP CORNERS			NUMBER REV. E
MATERIAL			
FINISH			
SCALE			
SHEET 1 OF 1			

REV.	CHANGE NO.	BY	DATE
A	0001	R. FITCH	11-8-71
B	0019	R. FITCH	11-9-71
		J. BITTO	1-17-75
		J. BITTO	7/18/75

REV. 5  
NUMBER BCØ5F-Ø-Ø  
SIZE CODE C U A B C Ø 5 F - Ø - Ø



This drawing and specifications, herein, are the property of Digital Equipment Corporation and shall not be reproduced or copied or used in whole or in part as the basis for the manufacture or sale of items without written permission.



REV.	CHANGE NO.	DESCRIPTION
B	M920-00002	BLASI

DEC FORM NO. DRC 100

FIRST USED ON OPTION/MODE	QTY.	DESCRIPTION	PART NO.	ITEM NO.
PDP11				
PARTS LIST				
UNLESS OTHERWISE SPECIFIED		DRN. <i>[Signature]</i>	DATE 7/14/69	<b>digital</b> EQUIPMENT CORPORATION MAYNARD, MASSACHUSETTS
UNLESS OTHERWISE SPECIFIED		CHK'D. <i>[Signature]</i>	DATE 11/19/69	
DIMENSION IN INCHES		ENG. <i>[Signature]</i>	DATE 11/24/69	
TOLERANCES		PROD. <i>[Signature]</i>	DATE 11/24/69	
DECIMALS ± .005		FINAL SURFACE QUALITY REMOVE BURRS AND BREAK SHARP CORNERS		<b>INTERNAL BUS CONN ASSY</b>
FRACTIONS ± 1/64				
ANGLES ± 0°30'				
MATERIAL		NEXT HIGHER ASSY		
FINISH		D-UA-11/20-0-0		
SCALE NONE		SIZE/CODE C UA		NUMBER M920-0-0
SHEET		DIST. G		REV. B

SIZE CODE C UA  
 NUMBER M920-0-0-0  
 REV. B

This drawing and specifications, herein, are the property of Digital Equipment Corporation and shall not be reproduced or copied or used in whole or in part as the basis for the manufacture or sale of items without written permission. 1973

LEGEND		
NUMBER	DIM "X" VARIATION	DIM "Y" (PRECUT) REF
BC11A-02	2' ± 0.5"	2'1.5"
BC11A-03	3' ± 1"	3'1.5"
BC11A-04	4' ± 1"	4'1.5"
BC11A-05	5' ± 1"	5'1.5"
BC11A-08	8.6" ± 2"	8'7.5"
BC11A-10	10' ± 2"	10'1.5"
BC11A-15	15' ± 3"	15'1.5"
BC11A-25	25' ± 3"	25'1.5"
BC11A-0F	6" ± 0.5"	7.5"
BC11A-06	6' ± 2"	6'1.5"

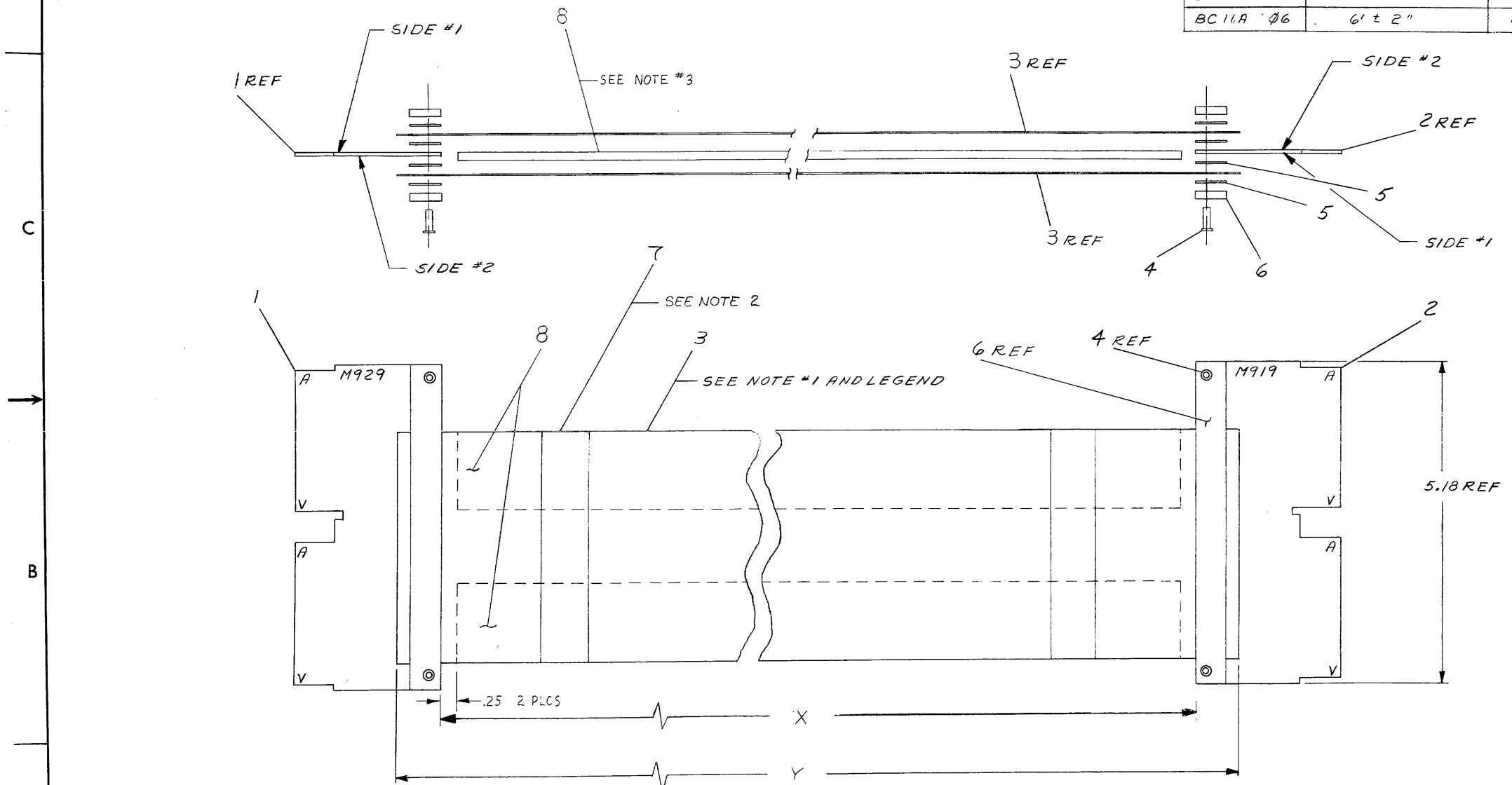
**NOTES:**

1. VARIATIONS AND LENGTHS SHOWN IN LEGEND ARE STANDARD. OTHER THAN STANDARD VARIATIONS WILL BE SPECIFIED BY ALPHANUMERIC DESIGNATION. FOR LENGTHS OTHER THAN FOOT INCREMENTS FROM ONE (1) FOOT THRU NINE (9) FEET, ELEVEN (11) INCHES.  
 A=1" G=7"  
 B=2" H=8"  
 C=3" J=9"  
 D=4" K=10"  
 E=5" L=11"  
 F=6"

EXAMPLE: BC11A-3D=3'4".  
 LENGTHS WILL BE IN FOOT INCREMENTS FROM TEN (10) FEET ON, AND WILL BE SPECIFIED BY THE CORRESPONDING NUMERICAL DESIGNATION.  
 EXAMPLE: BC11A-11=11 FEET.  
 THE TOLERANCE ON DIMENSION "A" WILL BE 2% OF THE FOOT INCREMENT.

2. FLEXPRINTS TO BE BOUND TOGETHER BY WRAPPING WITH BLACK ELECTRICAL TAPE (ITEM 7) EVERY 18 INCHES.

3. INSTALL 2 PIECES OF FOAM TAPE (ITEM 8) BETWEEN FLEX PRINT CABLES AS SHOWN.



QTY.	DESCRIPTION	PART NO.	ITEM NO.
	A/R GRAY FOAM	9008881	8
	A/R BLK ELECTRICAL TAPE	9009260	7
4	CLAMP, CABLE	C-5C-120976A-00	6
A/R	TAPE #4032 1/2 W X 3 11/16 LG	9007834	5
4	EYELET GS-4-11 STIMSON	9006750	4
2	CABLE "FLEXPRINT"	1700002-01	3
1	EXT. BUS CONN	A-PL-M919-0-0	2
1	BUS CONN	A-PL-M929-0-0	1

REV.	CHANGE NO.	REV.
A	BC11A-0001	A
B	BC11A-0002	B
C	BC11A-0003	C
D	BC11A-0004	D
E	BC11A-0005	E

FIRST USED ON OPTION/MODEL  
 PDPII

DO NOT SCALE DRAWING  
 UNLESS OTHERWISE SPECIFIED DIMENSION IN INCHES  
 TOLERANCES  
 DECIMALS FRACTIONS ANGLES  
 = .005 = 1/64 = 0°30'  
 FINAL SURFACE QUALITY  
 REMOVE BURRS AND BREAK SHARP CORNERS

MATERIAL  
 FINISH

DATE 11/13/69  
 DATE 11/13/69  
 DATE 11/13/69  
 DATE 11/26/69

DATE 11/26/69

D-4A-11/20-0-0  
 SCALE 1/1  
 SHEET 1 OF 1

digital EQUIPMENT CORPORATION  
 MAYNARD, MASSACHUSETTS

TITLE  
**CABLE ASSY (BC11A)**

SIZE CODE  
 DUA BC11A-0-0

NUMBER  
 REV. E

This drawing and specifications herein are the property of Digital Equipment Corporation and shall not be reproduced or copied or used in whole or in part as the basis for the manufacture or sale of items without written permission.

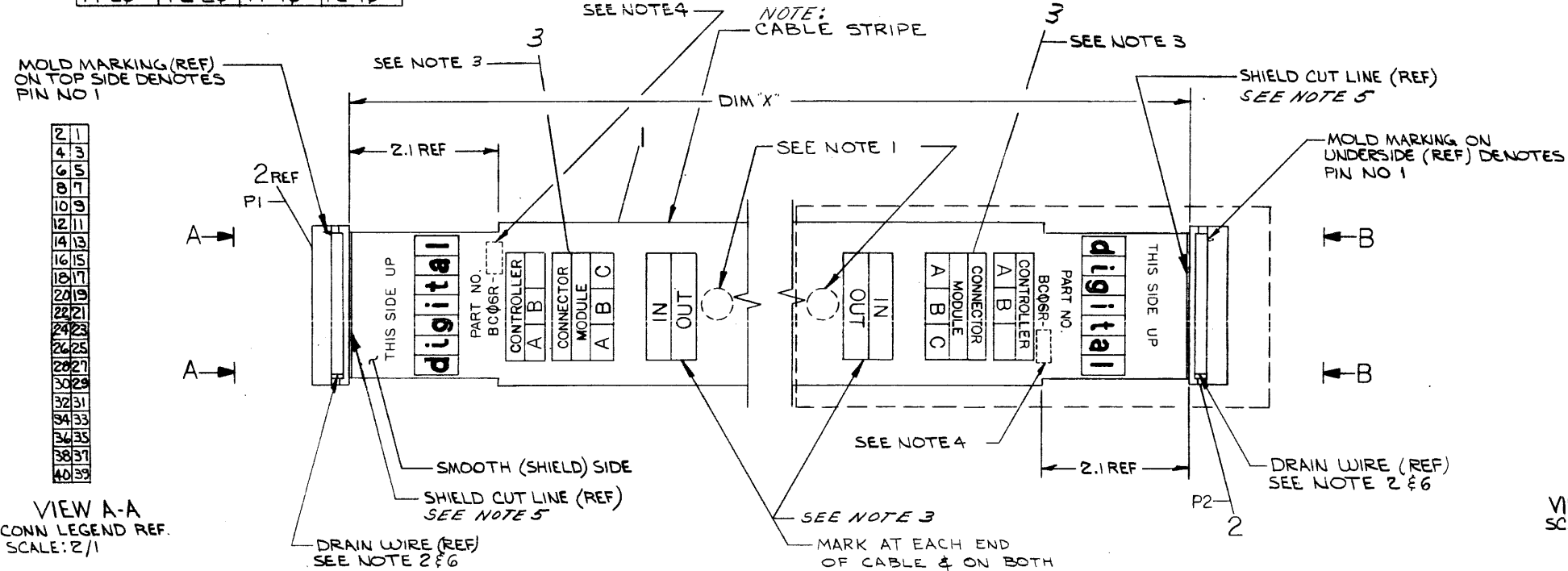
COPYRIGHT © 1973  
DIGITAL EQUIP CORP.

WIRE TABLE			
FROM	TO	FROM	TO
P1-1	P2-1	P1-21	P2-21
P1-2	P2-2	P1-22	P2-22
P1-3	P2-3	P1-23	P2-23
P1-4	P2-4	P1-24	P2-24
P1-5	P2-5	P1-25	P2-25
P1-6	P2-6	P1-26	P2-26
P1-7	P2-7	P1-27	P2-27
P1-8	P2-8	P1-28	P2-28
P1-9	P2-9	P1-29	P2-29
P1-10	P2-10	P1-30	P2-30
P1-11	P2-11	P1-31	P2-31
P1-12	P2-12	P1-32	P2-32
P1-13	P2-13	P1-33	P2-33
P1-14	P2-14	P1-34	P2-34
P1-15	P2-15	P1-35	P2-35
P1-16	P2-16	P1-36	P2-36
P1-17	P2-17	P1-37	P2-37
P1-18	P2-18	P1-38	P2-38
P1-19	P2-19	P1-39	P2-39
P1-20	P2-20	P1-40	P2-40

LEGEND			
NUMBER	DIM. "X"	PRECUT LENGTH	REMARKS
BCØGR-Ø1	1 FT	1 FT 1.5 IN ± 1 IN	SEE PRE-CUT VIEW C-C
BCØGR-Ø2	2 FT	2 FT 1.5 IN ± 1 IN	
BCØGR-Ø3	3 FT	3 FT 1.5 IN ± 1 IN	
BCØGR-Ø4	4 FT	4 FT 1.5 IN ± 1 IN	
BCØGR-Ø5	4 FT 6 IN	4 FT 7.5 IN ± 1.5 IN	
BCØGR-Ø6	6 FT	6 FT 1.5 IN ± 2 IN	
BCØGR-Ø8	8 FT	8 FT 1.5 IN ± 2 IN	
BCØGR-10	10 FT	10 FT 1.5 IN ± 2 IN	
BCØGR-12	12 FT	12 FT 1.5 IN ± 3 IN	
BCØGR-2Ø	2 Ø FT	2 Ø FT 1.5 IN ± 3 IN	
BCØGR-25	25 FT	25 FT 1.5 IN ± 3 IN	
BCØGR-3Ø	3 Ø FT	3 Ø FT 1.5 IN ± 6 IN	
BCØGR-5Ø	5 Ø FT	5 Ø FT 1.5 IN ± 10 FT	
BCØGR-6Ø	6 Ø FT	6 Ø FT 1.5 IN ± 12 FT	
BCØGR-75	75 FT	75 FT 1.5 IN ± 1.5 FT	
BCØGR-AØ	1 Ø FT	1 Ø FT 1.5 IN ± 2 FT	
BCØGR-Ø7	7 FT	7 FT 1.5 IN ± 2 IN	SEE PRE-CUT VIEW C-C

- NOTES:
1. INSPECTION & TEST STAMPS TO BE PLACED AT EACH END OF THE CABLE ASSEMBLY.
  2. DRAIN WIRE CONNECTS TO PIN NO 40.
  3. RUBBER STAMP INFORMATION SHOWN USING INK (ITEM 3) & ART WORK DEC NO. A-DC-7411699-0-0
  4. STAMP APPLICABLE OPTION DASH NO. ACCORDING TO LENGTH.
  5. REMOVE SHIELD .75 FROM END OF PRECUT CABLE (SEE VIEW C-C).
  6. COVER EXPOSED DRAIN WIRE WITH ITEM 4 PRIOR TO ASSY (BOTH ENDS)

C



A

REV	DATE	BY	CHK	DESCRIPTION
1	11-14-74	W. DUNHAM		BCØGR-00001 A
2	11-14-74	W. DUNHAM		BCØGR-00002 B
3	11-14-74	W. DUNHAM		BCØGR-00003 C
4	11-14-74	W. DUNHAM		BCØGR-00004 D

A/R	DESCRIPTION	PART NO.	QTY.
A/R	PLASTIC TAPE	3612511-0	4
A/R	INK	4901150	3
2	CONNECTOR, 40 SOCKET	1211206	2
A/R	CABLE, 40 COND FLAT W/SHIELD	17-00034	1

FIRST USED ON OPTION/MODEL	DRN.	DATE	DATE	DATE	DATE	DATE	DATE
RPØ4	W. Dunham	12-22-73	12-22-73	12-22-73	12-22-73	12-22-73	12-22-73

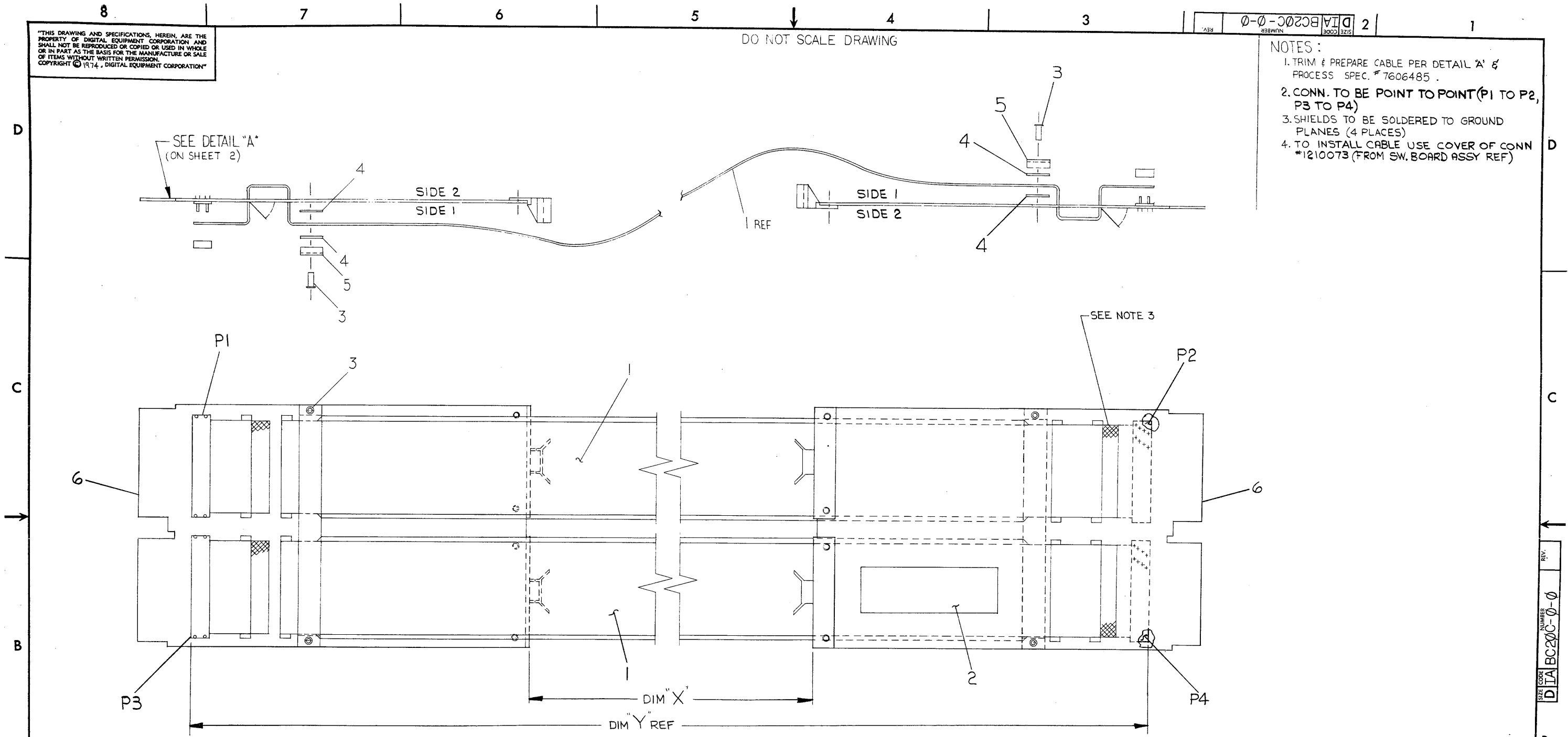
MATERIAL	NEXT HIGHER ASSY.	SIZE CODE	NUMBER	REV.
SEE PARTS LIST	E-1A-1009807-0-0	DUA	BCØGR-Ø-Ø	C

"THIS DRAWING AND SPECIFICATIONS, HEREIN, ARE THE PROPERTY OF DIGITAL EQUIPMENT CORPORATION AND SHALL NOT BE REPRODUCED OR COPIED OR USED IN WHOLE OR IN PART AS THE BASIS FOR THE MANUFACTURE OR SALE OF ITEMS WITHOUT WRITTEN PERMISSION. COPYRIGHT © 1974, DIGITAL EQUIPMENT CORPORATION"

DO NOT SCALE DRAWING

REV. 0-0-002BC20C-0-0 2

- NOTES:
1. TRIM & PREPARE CABLE PER DETAIL 'A' & PROCESS SPEC. #7606485.
  2. CONN. TO BE POINT TO POINT (P1 TO P2, P3 TO P4)
  3. SHIELDS TO BE SOLDERED TO GROUND PLANES (4 PLACES)
  4. TO INSTALL CABLE USE COVER OF CONN #1210073 (FROM SW. BOARD ASSY REF)



QTY.	DESCRIPTION	PART NO.	ITEM NO.
2	BOARD, 5 BUS CABLE	D-UA-M9006-0-0	6
2	CLAMP, CABLE	1209764	5
A/R	TAPE, DOUBLE SIDED .5 WD	9007834	4
4	EYELET,	9006750	3
1	LABEL, ADHESIVE BACK	9009255	2
A/R	CABLE, 40 CONDUCTOR	1700004-00	1

FIRST USED ON OPTION/MODEL		DATE		TITLE
KLIØ		10-8-74		
DIMENSIONAL TOLERANCE		12-30-74		
DIMENSIONS ARE MILLIMETERS		DATE		digital
INCHES		1/13/75		
UNLESS OTHERWISE SPECIFIED		DATE		D UA BC20C-0-0
MILLIMETERS		1-14-75		
INCHES		DATE		SCALE 1/1
ANGLES		1-14-75		
X,XX ±0,10		XXX ±0,005		SHEET 1 OF 2
XX ±0,5		XX ±0,02		
X ±2,		X ±1		DIST.
THIRD ANGLE PROJECTION		REMOVE BURRS AND BREAK SHARP CORNERS SURFACE QUALITY		REV.
MATERIAL		SEE PARTS LIST		
FINISH		++		REV.

REV.	CHANGE NO.

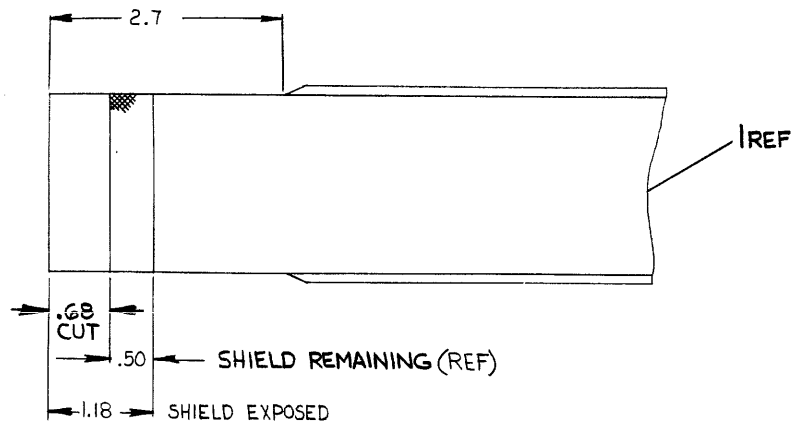
DEC FORM NO. DRD 100-B

"THIS DRAWING AND SPECIFICATIONS HEREIN ARE THE PROPERTY OF DIGITAL EQUIPMENT CORPORATION AND SHALL NOT BE REPRODUCED OR COPIED OR USED IN WHOLE OR IN PART AS THE BASIS FOR THE MANUFACTURE OR SALE OF ITEMS WITHOUT WRITTEN PERMISSION. COPYRIGHT © 1974, DIGITAL EQUIPMENT CORPORATION"

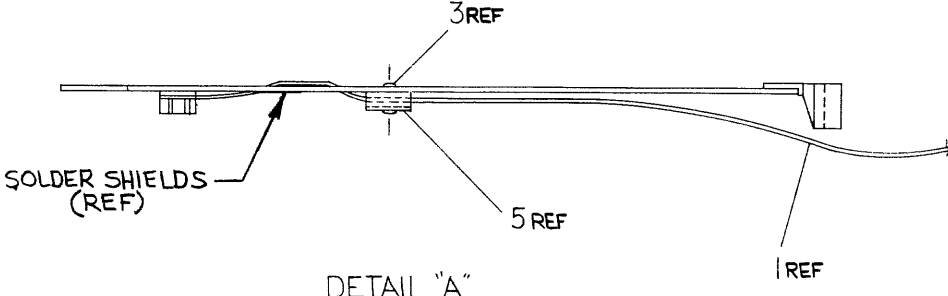
LEGEND		
NUMBER	DIM 'X'	DIM 'Y' (PRECUT) REF
BC20C-3C	3FT 3IN	4FT 6IN
BC20C-6C	6FT 3IN	7FT 6IN
BC20C-0K	9IN	2FT 0IN

REV. 0-0-00208 DIA 2

REMAINING SHIELD (REF)



CABLE PREPARATION  
TYP. BOTH ENDS  
SEE NOTE 1



DETAIL "A"

REVISIONS		
CHK	CHANGE NO	REV

TITLE	CONN. ASSY., S BUS	SIZE CODE	DIA	NUMBER	BC20C-0-0	REV.	
SCALE	1/1	SHEET	2 OF 2	DIST.			

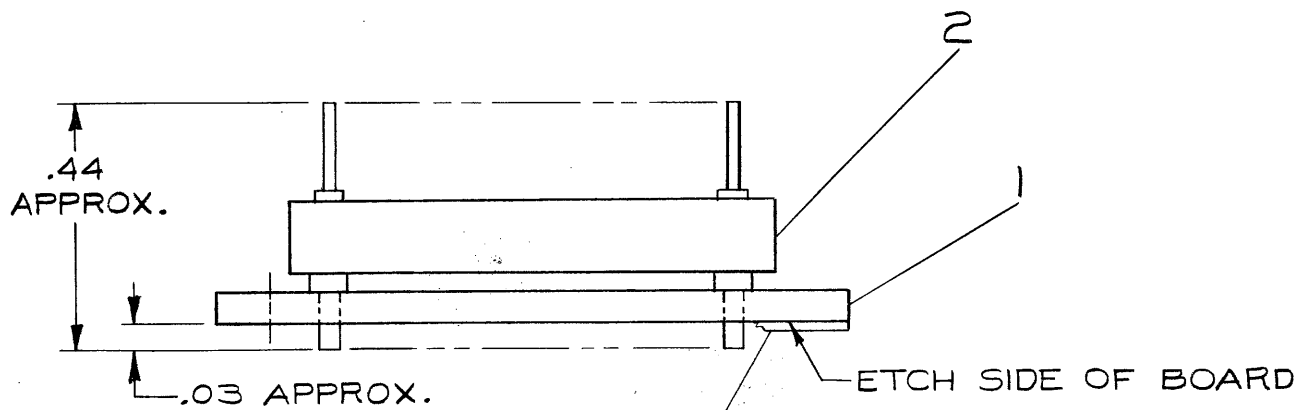
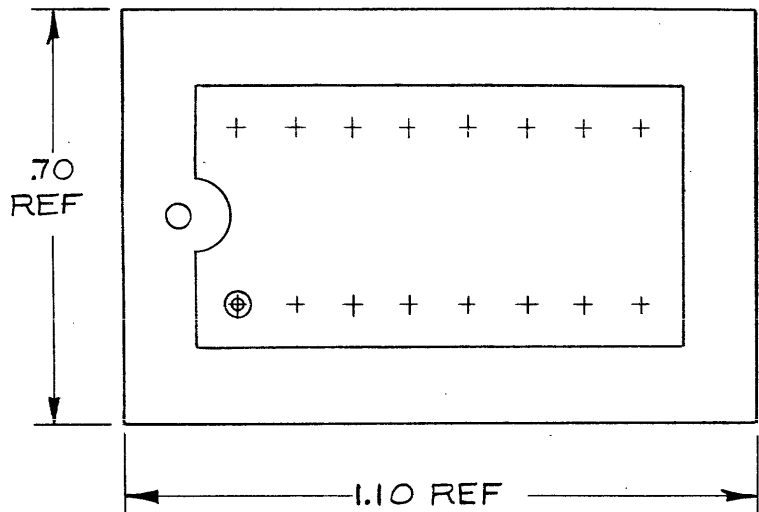
REV. 0-0-00208 DIA 2

BC20C-0-0

DIA

This drawing and specifications, herein, are the property of Digital Equipment Corporation and shall not be reproduced or copied or used in whole or in part as the basis for the manufacture or sale of items without written permission.

NOTES:  
1. CUT OFF EXCESS LENGTH OF PRONGS BEFORE SOLDERING.



TOLERANCE  
DECIMALS  
XXX = ±.005  
XX = ±.02  
X = ±.1

REF	CIRCUIT SCHEMATIC	B-CS-5408780-0-1	
AYR	TAPE VINYL 3M TRANSPARENT .75 x 1.12	9008269	3
1	PLUG, 16 PRONG, AUGAT	1209837	2
1	ETCH BOARD	D-IA-5008779-0-0	1

QTY.	DESCRIPTION	PART NO.	ITEM NO.

FIRST USED ON OPTION/MODEL M78φ		PARTS LIST	
UNLESS OTHERWISE SPECIFIED	DRN W.F. McCarthy	DATE 5/13/70	<b>digital</b> EQUIPMENT CORPORATION MAYNARD, MASSACHUSETTS TITLE PRIORITY JUMPER LEVEL # 6 ?
UNLESS OTHERWISE SPECIFIED	CHK'D J.F. Fleming	DATE 5-22-70	
TOLERANCES	ENG. C.B. Blair	DATE 6/24/70	
DECIMALS FRACTIONS ANGLES ±.005 ± 1/64 ± 0°30'	PROD. ENG. D.P. Gans...	DATE 6-28-70	
FINAL SURFACE QUALITY REMOVE BURRS AND BREAK SHARP CORNERS	PROD. MacDonell	DATE 6/29/70	
MATERIAL SEE PARTS LISTS	NEXT HIGHER ASSY M78φ	SCALE 5/1	SIZE CODE C IA 5408780-0-0
FINISH / /	SHEET 1 OF 1	DIST. G	REV.

REVISIONS	REV.
CHANGE NO.	
CHK	

REV. NUMBER C IA 5408780-0-0